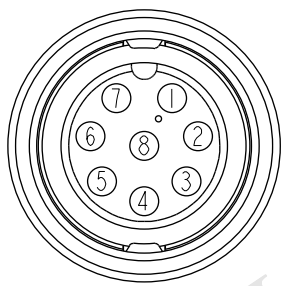
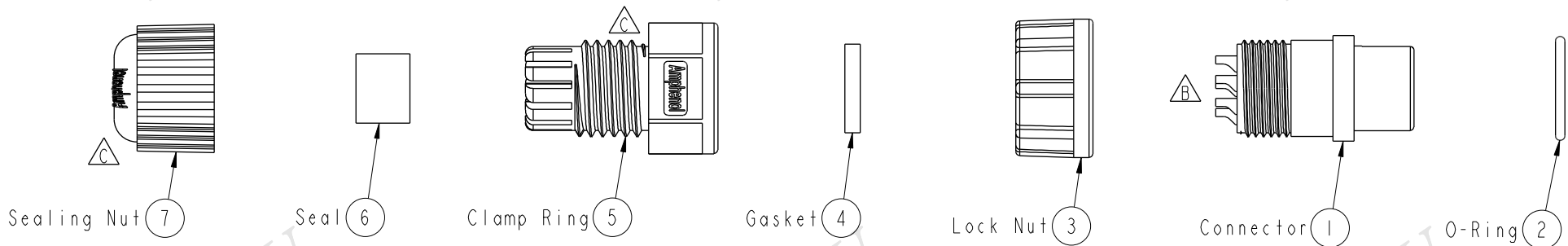
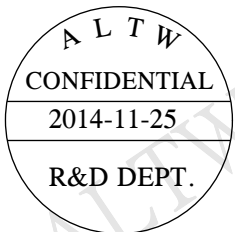
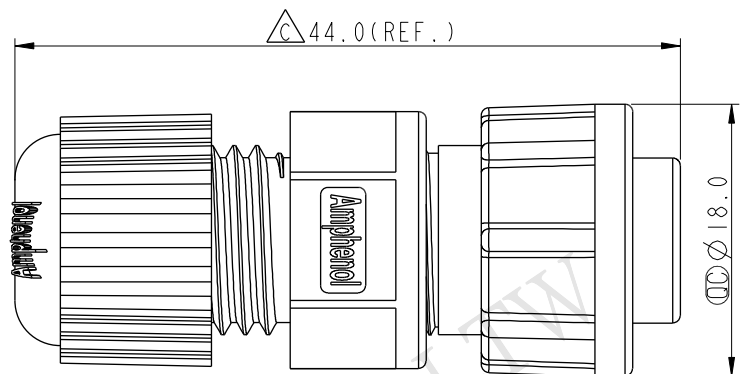


THIS DOCUMENT IS SUBJECT TO CHANGE WITHOUT NOTICE. IT IS CONFIDENTIAL AND A PROPERTY OF Amphenol LTW. DISCLOSURE TO THIRD PARTY HAS TO BE AUTHORIZED BY Amphenol LTW.

REV.	ECN NO.	DATE	SIGN	DESCRIPTION
B	LEN-0C0592	2010/11/29	Ivan	Change View
C	LEN14C0050	2014/11/25	Vicky	Update Logo & Dimension



Pin Assignments
Front View



Note:

- * CC Important Dimension To Check.
- * Waterproof Rate: IP67
- * Housing: Nylon+GF, Black
- * Female Pin: Copper Alloy, Gold Plated
- * O-Ring: EPDM, Black
- * Lock Nut: Nylon+GF, Black
- * Gasket: EPDM, Black
- * Clamp Ring: Nylon, Black
- * Seal: EPDM, Black
- * Sealing Nut: Nylon, Black
- * Seal For Cable OD: $\varnothing 4.5\text{mm} \sim \varnothing 6.5\text{mm}$
(防水墊圈線徑: $\varnothing 4.5\text{mm} \sim \varnothing 6.5\text{mm}$)
- * One Set Unassembled In One PE Bag
(每一組未組裝, 放置於一個PE袋, 並封口)

UNIT:mm TOLERANCE .X ± 0.25 .XX ± 0.1 .XXX ± 0.05 ANGLES $\pm 1^\circ$	TITLE Standard 8Pin F Conn. For Assy			Amphenol LTW 安費諾亮泰企業股份有限公司		ITEM NO BD-08BFFA-LL7001	DRAWN BY Vicky	DATE 2014-11-25
	SCALE 5:4	SIZE A4	SHEET 1 OF 1			DWG NO BD-08BFFA-LL7001	CHECKED BY Sam	DATE 2014-11-25
	REV. C	WC-REV. A.2	CC : Inspection item	CUSTOMER ALTW	APPROVED BY Rita	DATE 2014-11-25		
								8 FMM10702-01-02A1