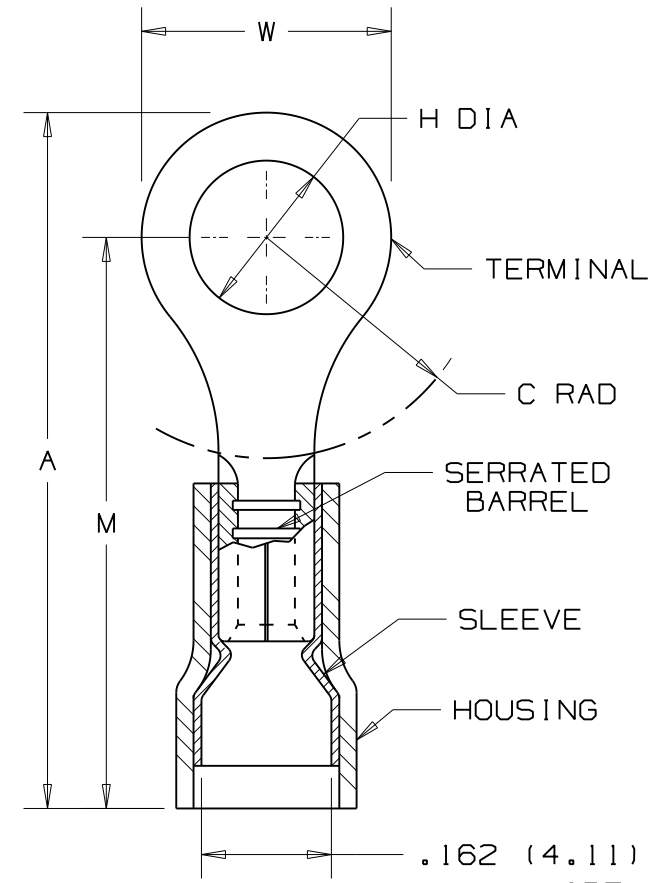


THIS COPY IS PROVIDED ON A RESTRICTED BASIS AND IS NOT TO BE USED IN ANY WAY DETRIMENTAL TO THE INTERESTS OF PANDUIT CORP.

PANDUIT PART NUMBER	MILITARY PART NO. AND CLASS	STUD SIZE	DIMENSIONS in.				
			A $\pm .03$ (.76)	W $\pm .01$ (.25)	C MIN	M $\pm .03$ (.76)	H $\pm .01$ (.25)
PNF14-4R	MS25036-152 CLASS 1 & 2	#4	.76 (19.41)	.25 (6.35)	.20 (5.05)	.64 (16.23)	.12 (3.00)
PNF14-6RN	MS25036-106 CLASS 1 & 2	#6	.76 (19.41)	.25 (6.35)	.20 (5.05)	.64 (16.23)	.15 (3.73)
PNF14-6R	MS25036-107 CLASS 1 & 2	#6	.86 (21.72)	.31 (7.92)	.26 (6.50)	.70 (17.75)	.15 (3.73)
PNF14-8R	MS25036-153 CLASS 1 & 2	#8	.86 (21.72)	.31 (7.92)	.26 (6.50)	.70 (17.75)	.17 (4.39)
PNF14-10R	MS25036-108 CLASS 1 & 2	#10	.86 (21.72)	.31 (7.92)	.26 (6.50)	.70 (17.75)	.20 (5.03)
PNF14-14R	MS25036-154 CLASS 1 & 2	1/4"	1.06 (26.82)	.46 (11.56)	.38 (9.70)	.83 (21.06)	.27 (6.81)
PNF14-56R	MS25036-109 CLASS 1 & 2	5/16"	1.06 (26.82)	.46 (11.73)	.38 (9.70)	.83 (21.06)	.33 (8.41)
PNF14-38R	MS25036-110 CLASS 1 & 2	3/8"	1.14 (29.06)	.53 (13.46)	.43 (10.95)	.88 (22.33)	.39 (9.98)



NOTES:

- UL LISTED AND CSA CERTIFIED FOR:
 - 600V. MAX. BLDG. WIRE (1000V. MAX. IN SIGNS, FIXTURES & LUMINARIES)
 - 221°F. (105°C) MAX. TEMP. RATING
 - #18-14 AWG SOLID OR STRANDED COPPER WIRE
 - UL LISTED WITH INSTALLATION TOOLS, CT-1550, CT-1551 & CT-2500 WITH CT2550CH CRIMP HEAD
 - MIL CLASS 2 WITH INSTALLATION TOOL CT-400
 - #16-14 AWG SOLID OR STRANDED COPPER WIRE, UL LISTED WITH CT-100A INSTALLATION TOOL
- MATERIAL:
 - STAMPING- .032" (.81) THK. COPPER, TIN PLATED
 - HOUSING- NYLON, BLUE
 - SLEEVE- BRASS, TIN PLATED
- WIRE STRIP LENGTH- 7/32" +1/32, -0 (5.6, +.8, -0)
- SEE www.panduit.com FOR PART NUMBER SUFFIX DESIGNATION FOR PACKAGE SIZE.
- DIMENSIONS IN PARENTHESIS ARE IN MILLIMETERS



LISTED
587H
E52164



CERTIFIED
LR31212

.162 (4.11)
MAX. WIRE
INSUL. DIA.
.087 (2.21)
MIN. WIRE
INSUL. DIA.

N41276BA/06

				PANDUIT CORP. TINLEY PARK, ILLINOIS	
				#16-14 BARREL NYLON INSULATED, FUNNELED WIRE ENTRY RING TONGUE, .162 (4.11) MAX. WIRE INSULATION DIAMETER	
06	12/16/11	FS	Obsolete installation tools removed, UL information clarified, general dimensional updates.6	CUST	ECN
REV	DATE	BY	DESCRIPTION	DAW	RLS
				NONE	DRAWING NO. A41276