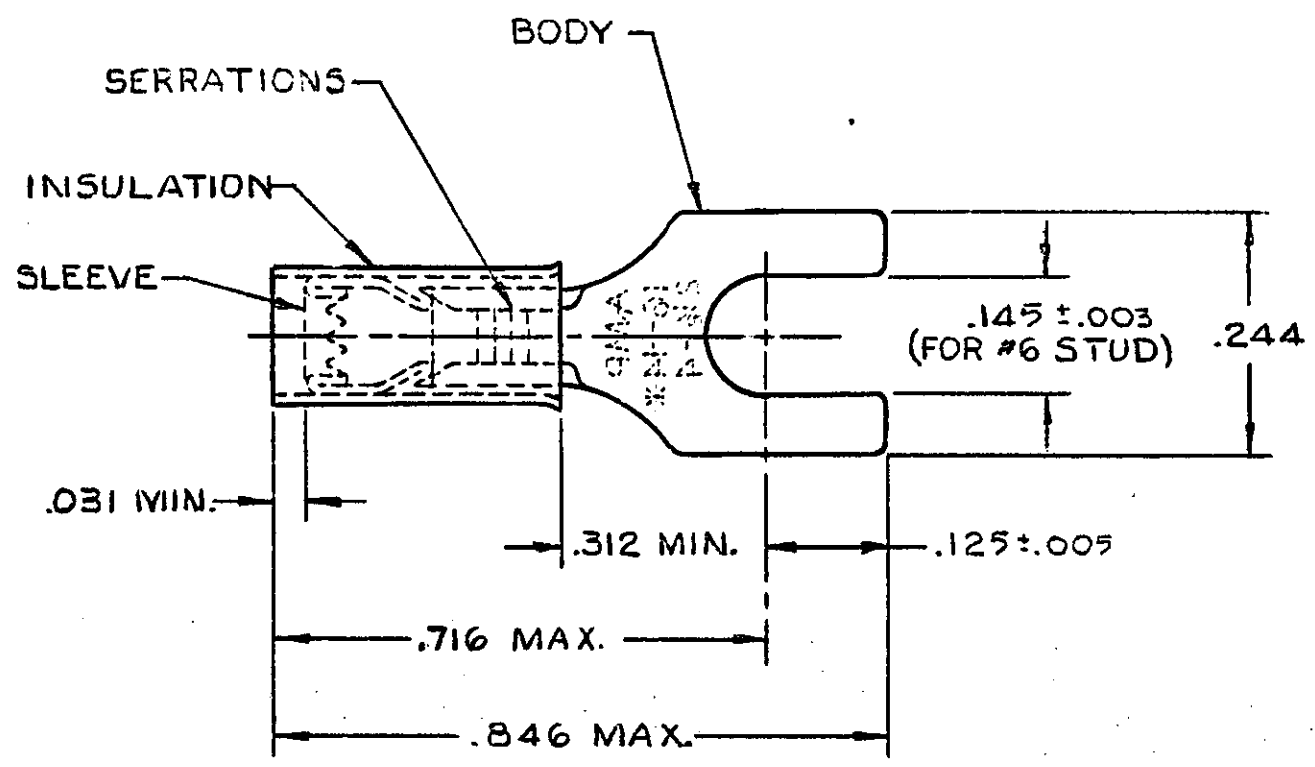


THIS DRAWING IS UNPUBLISHED. RELEASED FOR PUBLICATION

© COPYRIGHT — BY —

REVISIONS						
P	F	ZONE	LTR	DESCRIPTION	DATE	APPROVED
			K1	REVISED PER ECO-11-005294	08APR11	HMR



- 1 WIRE INSULATION DIA: SEE TABLE.
- 2 TONGUE MATERIAL THK: .031 ± .002

WIRE INS. DIA.	QUANTITY	DESCRIPTION	PART NO
.115-.170	100	LOOSE PC, BOX	8-328281-1
<del>.115-.170</del>	<del>100</del>	<del>ON TAPE, SM. BOX</del>	<del>1-328281-4</del>
<del>.115-.170</del>	<del>1000</del>	<del>ON TAPE, LG. BOX</del>	<del>1-328281-3</del>
<del>.105-.170</del>	<del>2000</del>	<del>ON TAPE, REEL</del>	<del>1-328281-2</del>
.115-.170	5000	ON TAPE, REEL	1-328281-1
<del>.105-.170</del>	<del>1000</del>	<del>LOOSE PIECE</del>	<del>1-328281-0</del>
.115-.170	—	LOOSE PIECE	328281

UNLESS OTHERWISE SPECIFIED DIMENSIONS ARE IN INCHES. TOLERANCES ON: DECIMALS ± .008 ANGLES ± —	CONTRACT NO		TE Connectivity	
	DR UTA/RFB 10-4-85			
	CHK P. Mutyaleach 2-13-86		NAME <b>TERMINAL P.I.D.G., SPADE</b> WIRE SIZE: 16-14	
	APPD C. Blair 12-12-85			
MATERIAL INSULATION: NYLON - BLUE BODY & SLEEVE: COPPER (CG-C-376)		SIZE	FSCM NO	DRAWING NO
FINISH BODY & SLEEVE TIN PL (MIL-T-10727) .000100 MIN. THK.		<b>B</b>	<b>00779</b>	<b>328281</b>
OTHER APPD		SCALE	NTS	SHEET 1 OF 1