

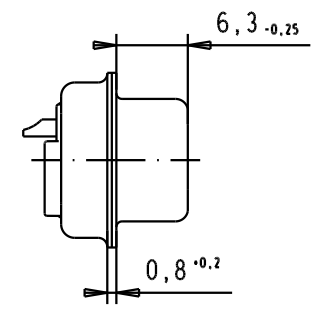
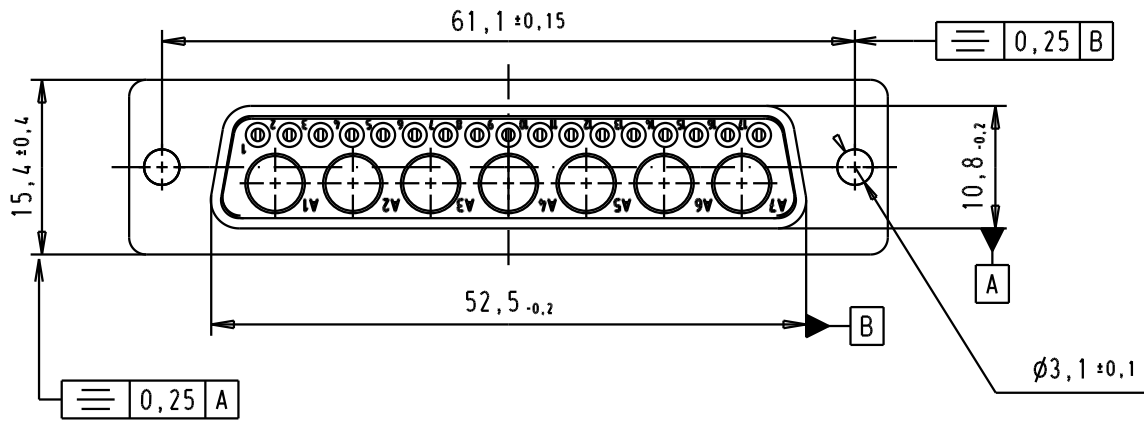
5

4

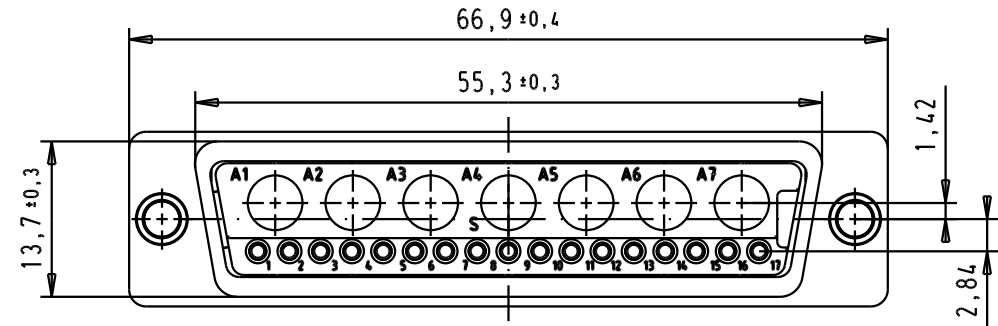
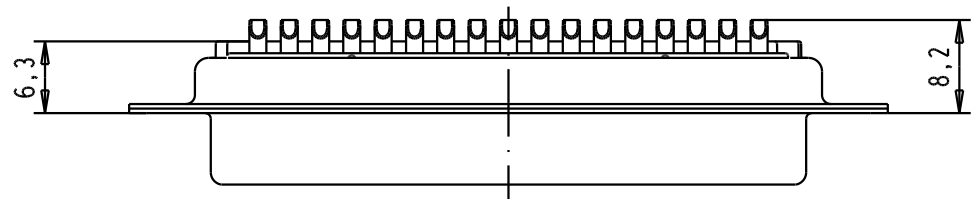
3

2

1



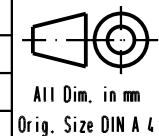
Solder bucket termination for AWG20



A

09 69 501 7247	PL3
09 69 501 5247	0,76 μm Au
Part number	Plating

				Dat.	Name
				21/04/04	JH
				Insp.	
				Stand.	
33421	06/02/06	JMDR			
31890	21/04/04	JH			
Mod.	Dat.	Name			



All Dim. in mm
Orig. Size DIN A 4

HARTING EURL
F-95972 Paris



D-sub, female, straight,
24W7 without power contact,
solder buckets,
tin plated shell and holes

TB 09 69 501 x247

Maßstab/
Scale

1,5:1

Blatt/ Page

1 / 1

Sub.