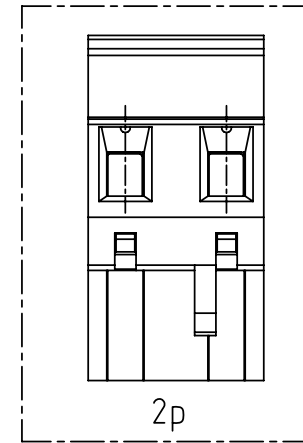
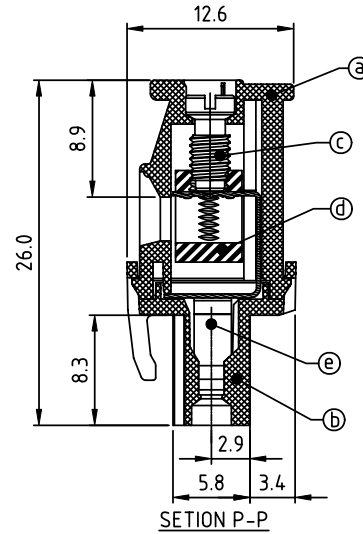
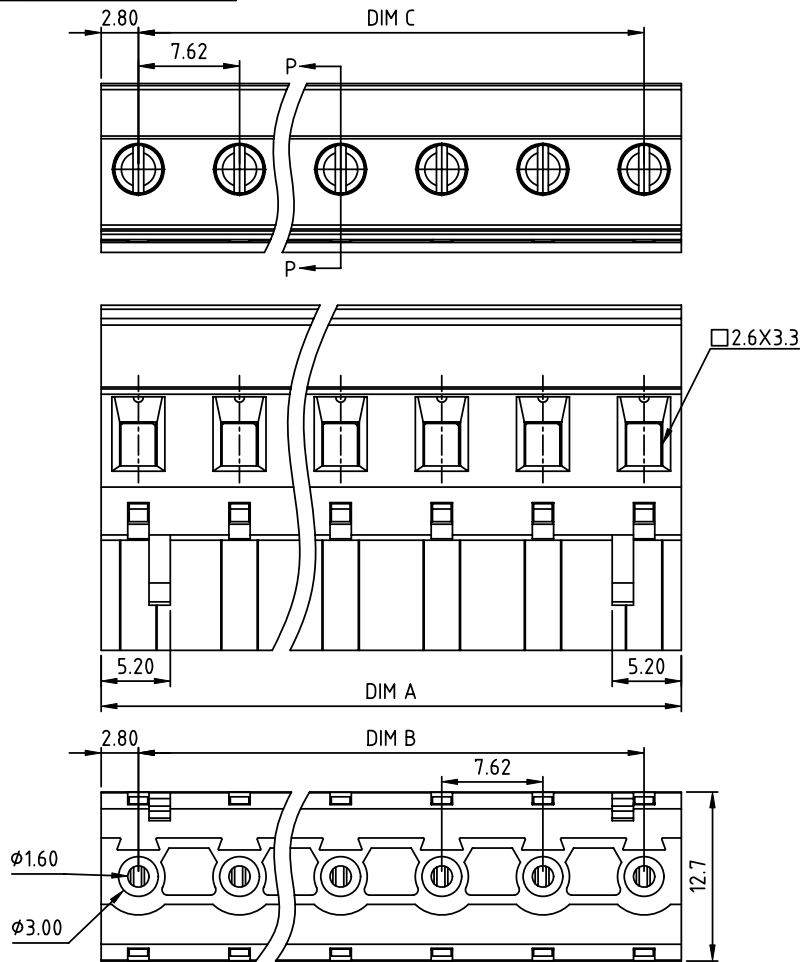


PRODUCT NUMBER	PITCH
TSxx01xA00J0G	7.62 mm



**Material**

- Item ① Top body: Thermoplastic (UL94V-0)
- Item ② Bottom body: Thermoplastic (UL94V-0)
- Item ③ Terminal screw: Steel Zinc plating "-" slot type
- Item ④ Clamp: Brass, Ni plated
- Item ⑤ Female contact: PbZ (CuSn), Tin plated

**Electrical cULus/TUV**

- Voltage rating: 300VAC/750VAC
- Current rating: 15A/15A
- Wire range: 0.2-2.5mm<sup>2</sup>
- Solid wire(AWG): 12-24
- Stranded wire(AWG): 12-24
- Torque: 3.5 Lb-In 0.4Nm
- Screw: M3
- Wire strip length: 6-7mm
- Withstanding Voltage: 1.6KV/6KV
- Operating temperature: -40°C to +115°C
- Safety Approval:

Dim A=(N-1)×7.62+5.6  
 Dim B=(N-1)×7.62  
 Dim C=(N-1)×7.62  
 N=Number of poles

POLES	Tolerance
2p-6p	±0.20
7p-11p	±0.30
12p-16p	±0.40

PART NO.: TS xx 01 x A 00J0 G

	Color
Solid block	0 Black (RAL9005)
No. of poles	2 Red (RAL3001/D)
02 2 poles	3 Orange(RAL2011/P)
03 3 poles	4 Yellow(RAL1018/A)
...	5 Green(RAL6018/T)
16 16 poles	6 Blue (RAL5015/A)
	8 Grey(RAL7035/D)
	9 White(RAL1102)
	C Green(RAL6018/U)

RoHS compliant  
 (lead<4%)  
 In copper Alloy

mat'l. code		surface ASME Y14.5	tolerance ASME Y14.5	projection	product family TERMINAL BLOCK
ltr	ecn no	dr	date		title TERMINAL BLOCK
tolerances unless otherwise specified					
angles		X.±0.5		scale	PLUGGABLE PLUG,HOOK ON ENTRY SIDE,WITHOUT FLANGE
X°±1'		X.X±0.3			
dr		EVIN ZHONG	041914		dwg no
enr		EVIN ZHONG	041914		sheet 1 of 1
chr		HANKE FENG	041914		size
appd		SHI JUN	041914		A4
sheet index	revision	A			type CUSTOMER Drawing