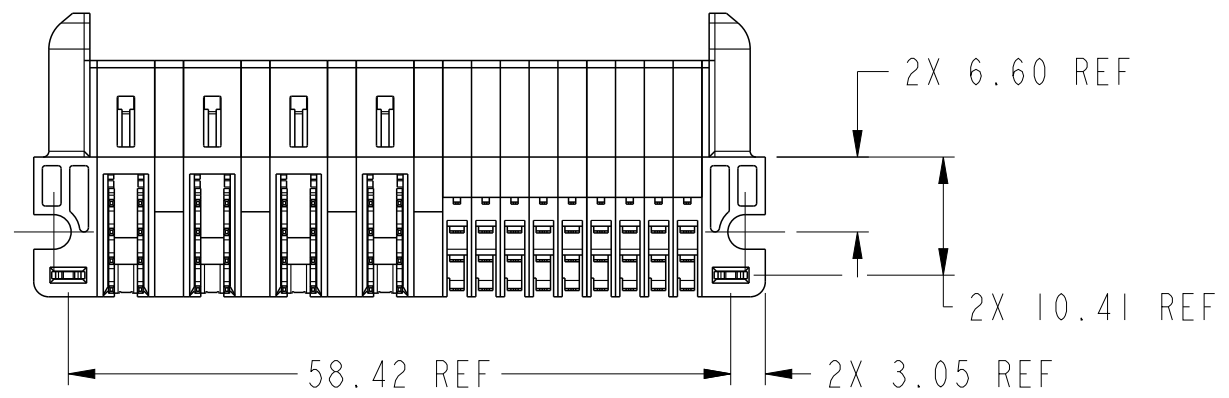
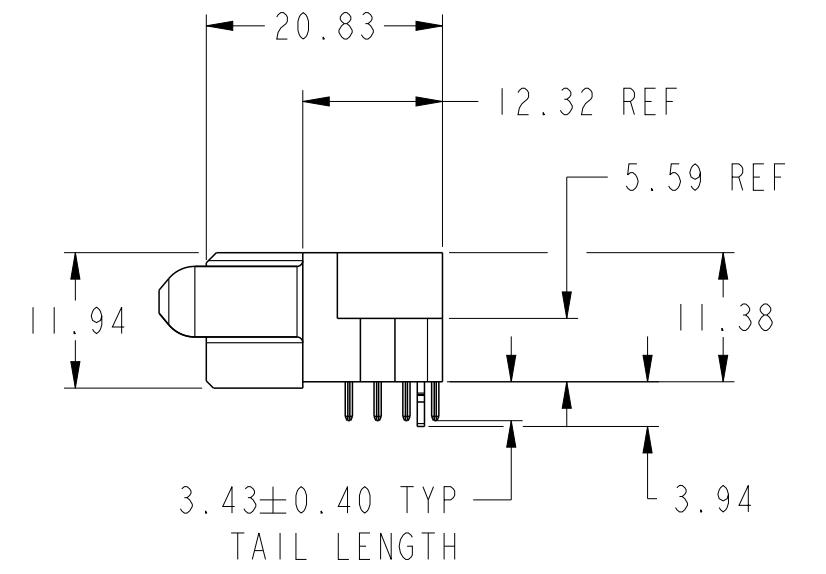
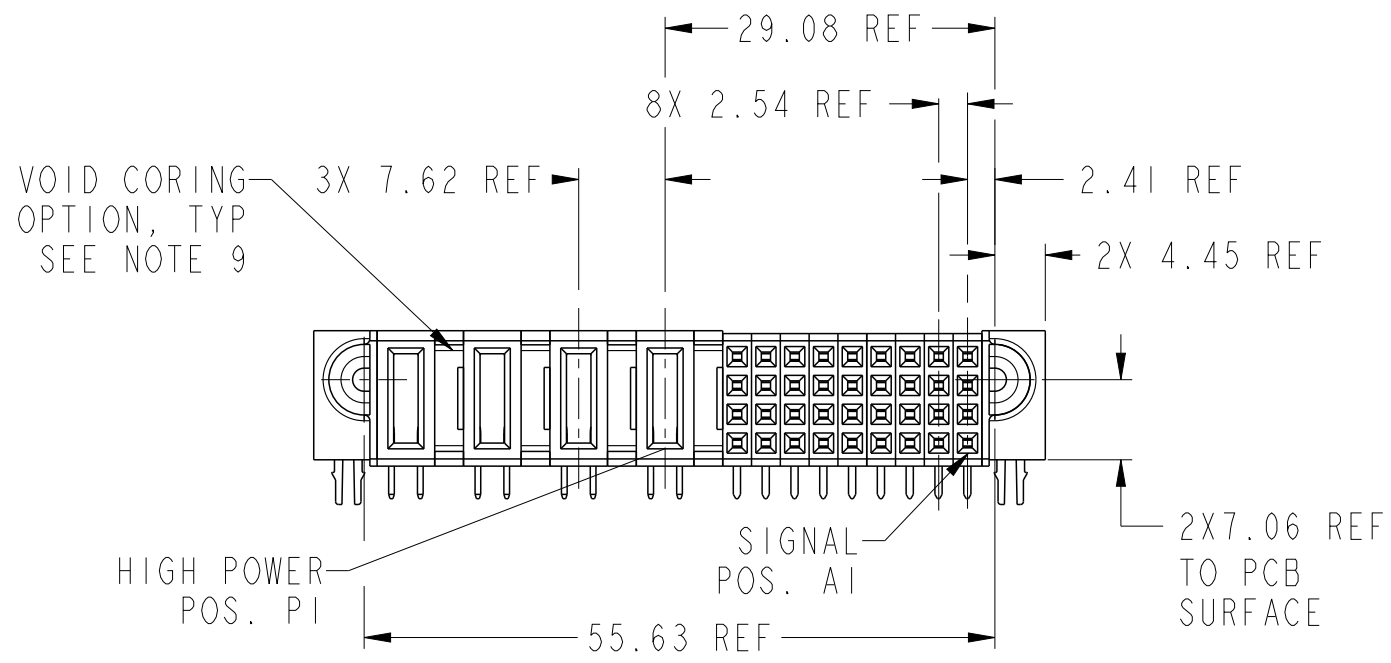
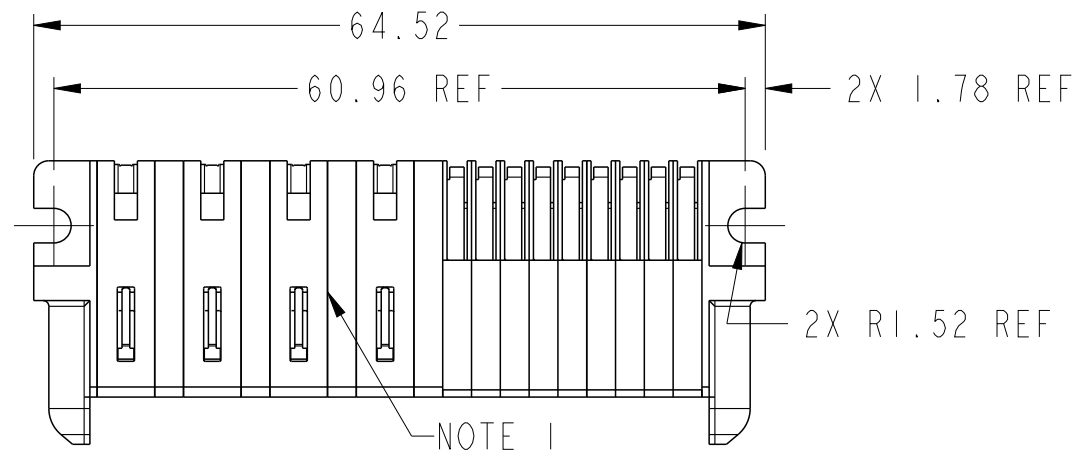


PRODUCT NUMBER SEE SHEET 2

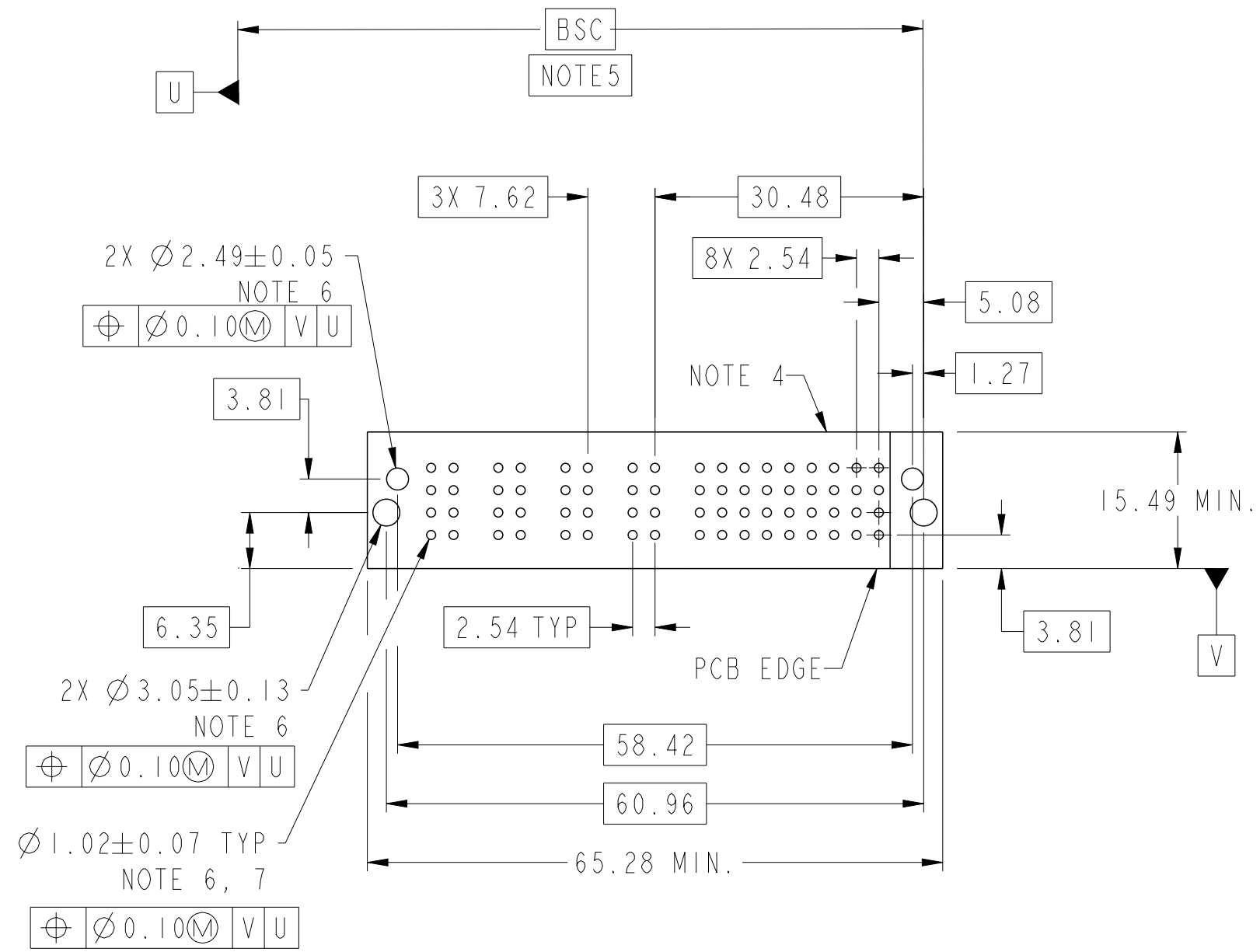


Copyright FCI.

spec ref -		dr	Xie Bob	2013/11/26	projection 	MM ←→	size	A3	scale	3:2
tolerance std ASME Y14.5		eng	Xie Bob	2013/12/03			ecn no	-		
TOLERANCES UNLESS OTHERWISE SPECIFIED		chr	Li-He	2013/12/03			rel level	Released		
surface ✓	ASME Y14.5	linear	0.X	±0.5	product family	PwrBlade+	dwg no	10106118-4009002	rev	A
			0.XX	±0.25						
			0.XXX	±0.10						
angular	0°	±2°	www.fci.com	cat. no.	Product - Customer Drw	sheet 1 of 3				

PRODUCT NO.	ROWS	HIGH POWER				SIGNAL									E2	
		E1	P4	P3	P2	P1	9	8	7	6	5	4	3	2		1
10106118-4009002LF	D C B A		H3	H3	H3	H3	H	H	H	H	H	H	H	H	H	
			H3	H3	H3	H3	G	G	G	G	G	G	G	G	G	
			H3	H3	H3	H3	F	F	F	F	F	F	F	F	F	
			H3	H3	H3	H3	E	E	E	E	E	E	E	E	E	

CODE	DESCRIPTION
E	STD SIGNAL CONTACT, ROW A
F	STD SIGNAL CONTACT, ROW B
G	STD SIGNAL CONTACT, ROW C
H	STD SIGNAL CONTACT, ROW D
H3	STD HIGH POWER CONTACT(3.43)
HA	METAL HOLD DOWN



dr	Xie Bob	2013/11/26	projection	MM	size	A3	scale	3:2
eng	Xie Bob	2013/12/03			ecn no	-		
chr	Li-He	2013/12/03	product family	PwrBlade+	rel level	Released		
appr	Pei-Ming Zheng	2013/12/03			title	36S+4ACP	dwg no	10106118-4009002
www.fci.com		cat. no.	Product - Customer Drw		sheet 2 of 3			

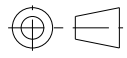
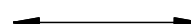

Copyright FCI.

NOTES:

- 1) "FCI", PART NUMBER AND DATE CODE TO BE MARKED ON THIS SURFACE.  
THE P/N CAN BE OMITTED IF THERE IS NOT ENOUGH SPACE ON THIS SURFACE.
- 2) MATERIALS:  
-HOUSING - GLASS FILLED WITH HIGH TEMP THERMOPLASTIC, UL94V-0.  
-SIGNAL CONTACT - COPPER ALLOY.  
-POWER CONTACT - HIGH CONDUCTIVITY COPPER ALLOY.
- 3) PLATING SPECIFICATION REFER TO FCI 10116351
- 4) DENOTES CONNECTOR KEEP OUT ZONE.
- 5) DATUM AND BASIC DIMENSIONS WERE ESTABLISHED BY CUSTOMER.
- 6) ALL HOLE DIAMETERS ARE FINISHED HOLE SIZES.
- 7)  $1.15 \pm 0.025$ MM DRILLED HOLE PLATED WITH 0.00762MM MIN Sn  
OVER 0.0254-0.0762MM Cu PLATING TO ACHIEVE A  $1.02 \pm 0.07$ MM HOLE.
- 8) PRODUCT SPECIFICATION REFER TO FCI GS-12-658.  
APPLICATION SPECIFICATION REFER TO FCI GS-20-141.  
PRODUCT PACKAGED IN TRAYS, REFER TO FCI GS-14-1502.
- 9) THE VOID CORING IN BETWEEN POWER MODULES, SIGNAL  
MODULES AND END MODULES ARE OPTIONAL AND THE SHAPE  
MAY BE DIFFERENT FOR OPTIMIZE THE MOLDING PROCESS. THE  
VOID CORING WILL NOT EFFECT TO PRODUCT FUNCTION.



Copyright FCI.

dr	Xie Bob	2013/11/26	projection 	MM 	size	A3	scale	3:2
eng	Xie Bob	2013/12/03			ecn no	-		
chr	Li-He	2013/12/03			product family	PwrBlade+	rel level	Released
appr	Pei-Ming Zheng	2013/12/03						
		title 36S+4ACP RA STB RECEPTACLE		dwg no 10106118-4009002	rev A			
<a href="http://www.fci.com">www.fci.com</a>		cat. no.	Product - Customer Drw		sheet 3 of 3			