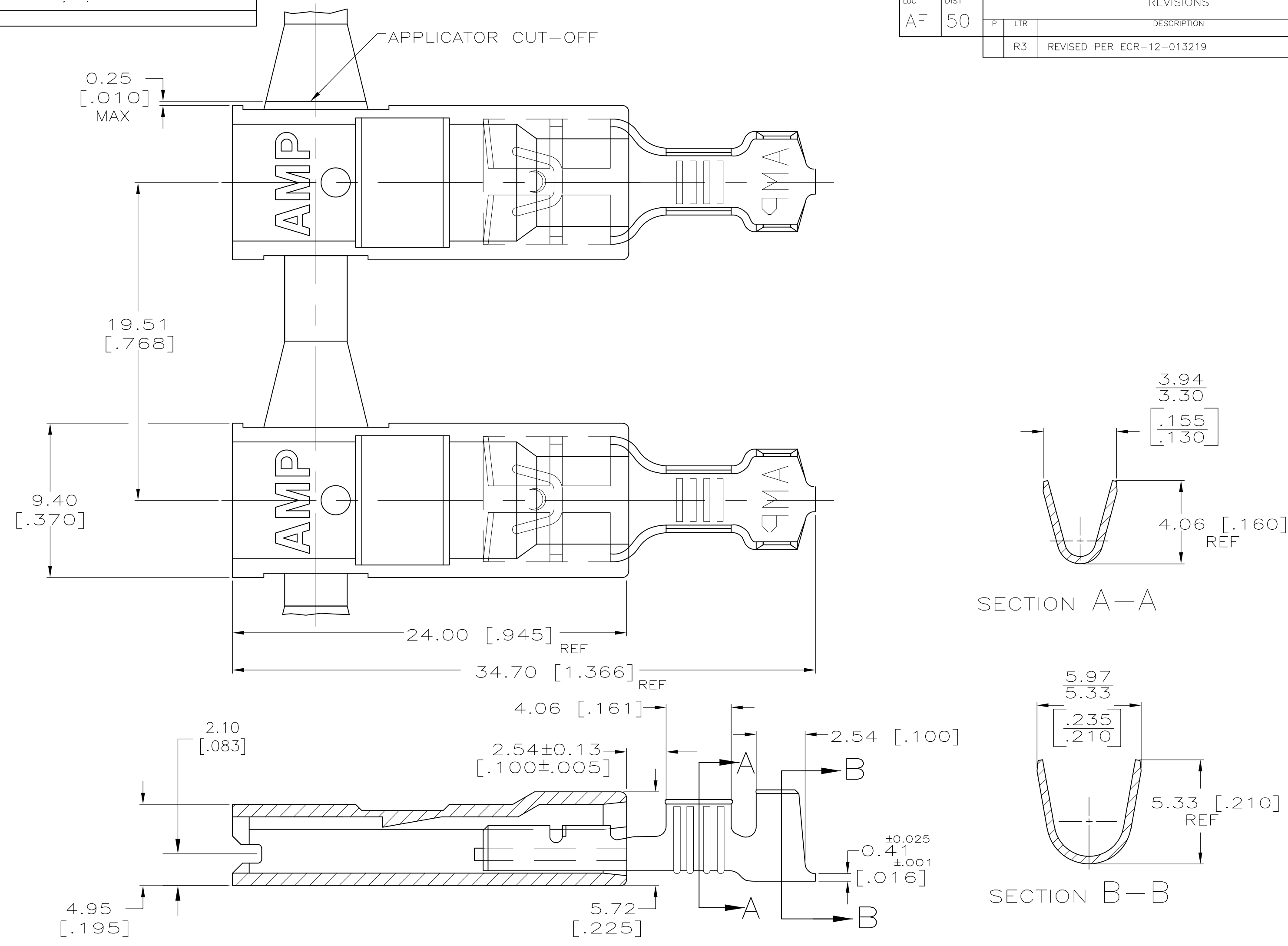


THIS DRAWING IS UNPUBLISHED. RELEASED FOR PUBLICATION
 © COPYRIGHT - By - ALL RIGHTS RESERVED.

LOC		DIST		REVISIONS			
P	LTR	DESCRIPTION	DATE	DWN	APVD		
AF	50	R3	REVISED PER ECR-12-013219	08JAN13	KH	KR	



- 1 LOW-INSERTION FASTON TERMINALS, BASE P/N 63306, ARE USED IN THIS PRODUCT.
- 2 TIN PLATE PER .002032 [.000080] MIN PER MIL-T-10727.
- 3 MATERIAL: HOUSING - 6/6 NYLON
TERMINAL - BRASS
- 4 FINISH: HOUSING - COLOR, NATURAL
TERMINAL - SEE TABLE

OBSELETE	BULK	TIN PLATE	INSULATION RANGE	WIRE SIZE	MATING TAB THK ±0.025 [±.001]	PART NO.
	BULK	2 TIN PLATE	2.79-4.32	0.8-2.0 mm ² [18-14]	0.813 [.032]	5-520963-2
	BULK	PLAIN	[.110-.170] DIA			5-520963-1
	STANDARD	2 TIN PLATE				520963-2
	STANDARD	PLAIN				520963-1
	PACKAGING	TERMINAL FINISH				

THIS DRAWING IS A CONTROLLED DOCUMENT.		DWN	JR RUTH	6/27/89
		CHK	MS FEHER	6/27/89
		APVD	R KUZO	6/27/89
DIMENSIONS: INCHES		NAME		
TOLERANCES UNLESS OTHERWISE SPECIFIED:		PRODUCT SPEC		
0 PLC ± -		108-1285		
1 PLC ± -		APPLICATION SPEC		
2 PLC ± -		114-2124		
3 PLC ± 0.25 [.010]		SIZE		
4 PLC ± -		CAGE CODE		
ANGLES ± -		DRAWING NO		
FINISH		RESTRICTED TO		
3		A2 00779 C=520963		
4		SCALE 5:1 SHEET 1 of 1 REV R3		