

REVISIONS				
REV.	ECO. NO	DESCRIPTION	DATE	BY
B	1393	TABULATE MATERIALS	6/19/2007	MNH
C	1836	ADD PROCESSING TEMP, REMOVED 'S' MOUNTING, ADDED 'E' & 'H' MATERIAL IN P/N CODING, REMOVED STANDOFF ON E_DHRD & E_DHRT, MODIFIED STANDARDOFF ON E_DHRN	6/04/2009	JH
D	2139	REMOVE 'E' & 'H' MATERIAL OPTIONS, CHANGE PRIMARY DIM. TO METRIC, UPDATE NOTES	5/12/2010	JH
E	2944	ADD PCB LAYOUT, UPDATE PROCESSING TEMPERATURES, UPDATE DWG FORMAT	3/26/2014	JHSU
F	2972	ADD 'Q' MOUNTING STYLE	5/14/2014	JHSU
G	3043	UPDATE PIN DIMENSION FROM 0.36[.014] TO 0.46[.018]	8/22/2014	JHSU

PART NUMBER CODING

MATERIAL (INSULATOR/CONTACT)

- R = PPS/PHOSPHOR BRONZE**
OPERATING TEMP: -65°C TO +125°C
PROCESSING TEMP: 260°C MAX FOR 20 SECONDS
- G = PA9T/PHOSPHOR BRONZE**
OPERATING TEMP: -65°C TO +125°C
PROCESSING TEMP: 260°C MAX FOR 20 SECONDS
- A = PPS/BERYLLIUM COPPER**
OPERATING TEMP: -65°C TO +150°C
PROCESSING TEMP: 260°C MAX FOR 20 SECONDS
- J = PA9T/BERYLLIUM COPPER**
OPERATING TEMP: -65°C TO +150°C
PROCESSING TEMP: 260°C MAX FOR 20 SECONDS

MOUNTING STYLE

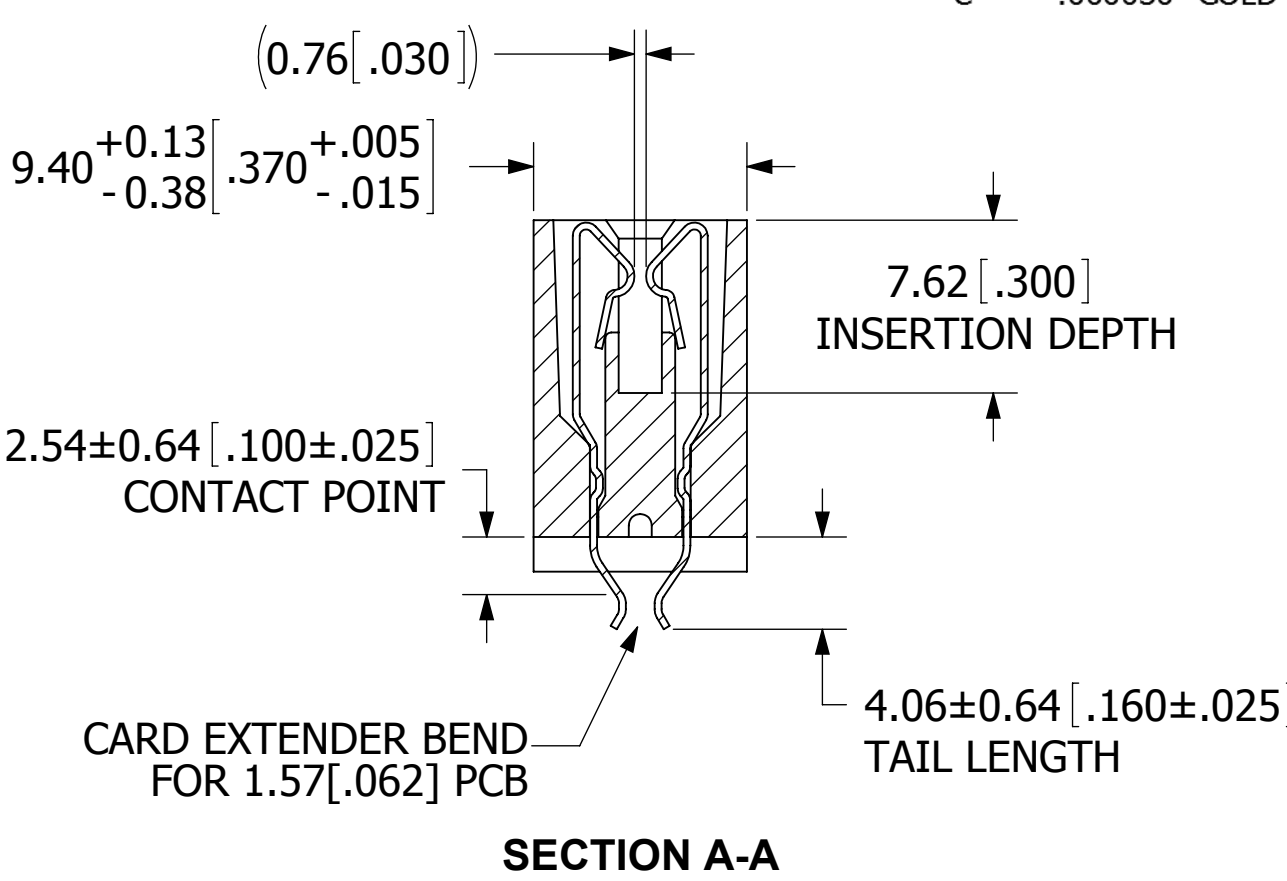
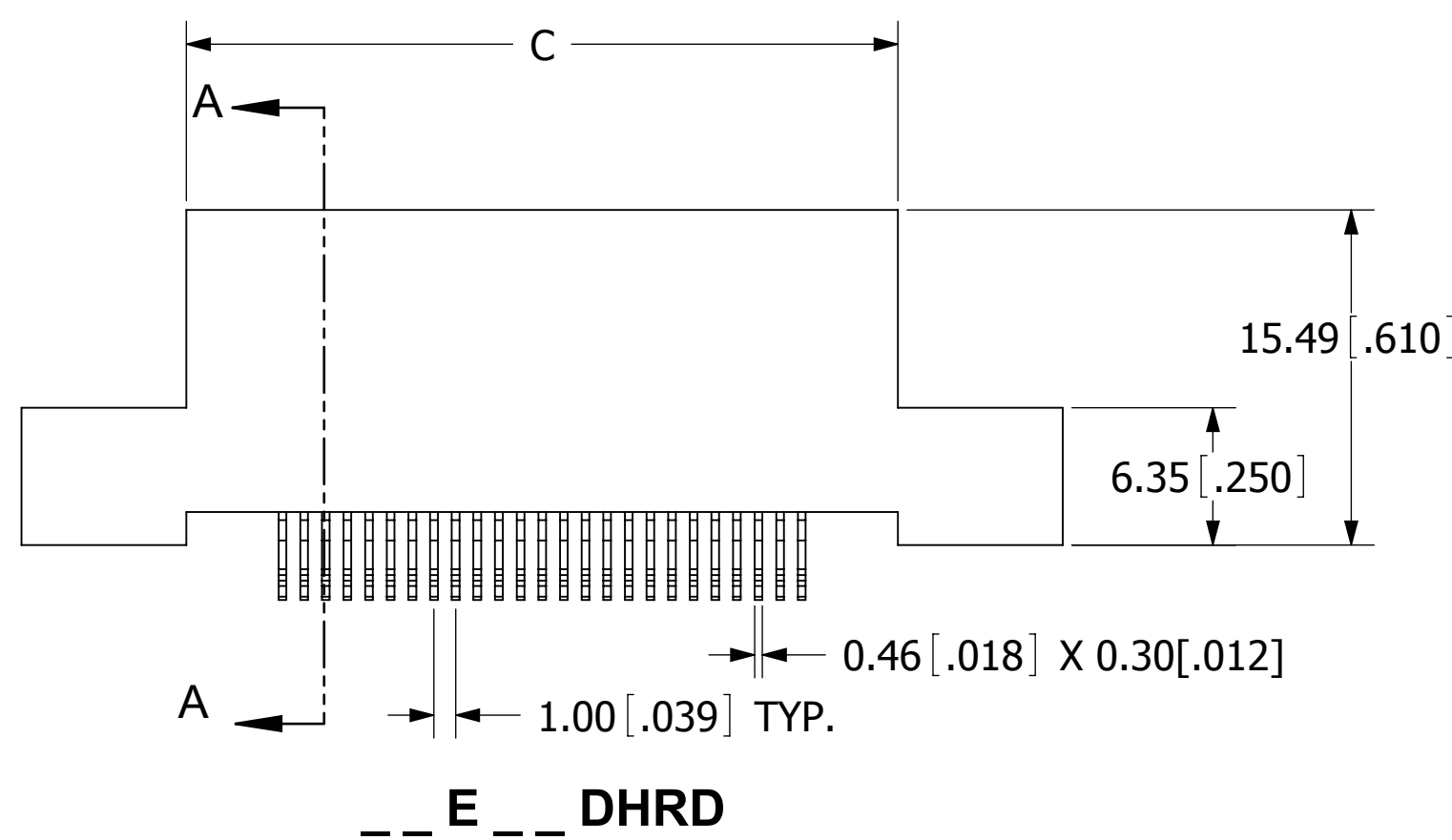
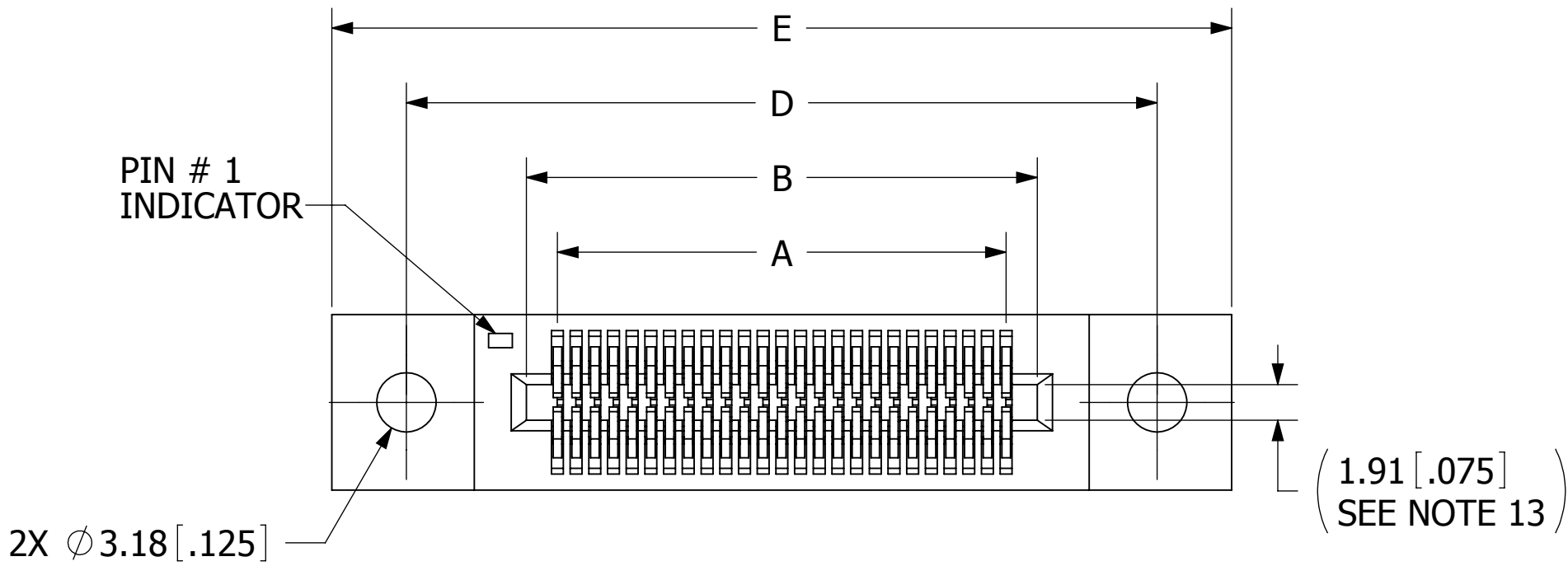
- D = FLUSH MOUNTING
- N = NO MOUNTING EARS
- T = FLUSH MTG. WITH THRD INSERT
- Q = STRADDLE MOUNT

NUMBER OF POSITIONS

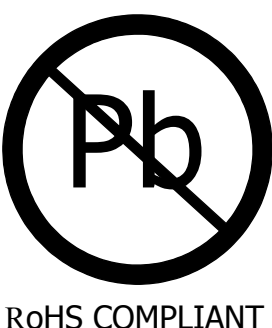
(CONTACTS PER ROW)

PLATING

- ALL PLATINGS HAVE .000050" NICKEL UNDERPLATE
- CONTACT SURFACE TERMINATION
- B = .000010" GOLD .000100" PURE TIN, MATTE
- C = .000030" GOLD .000100" PURE TIN, MATTE

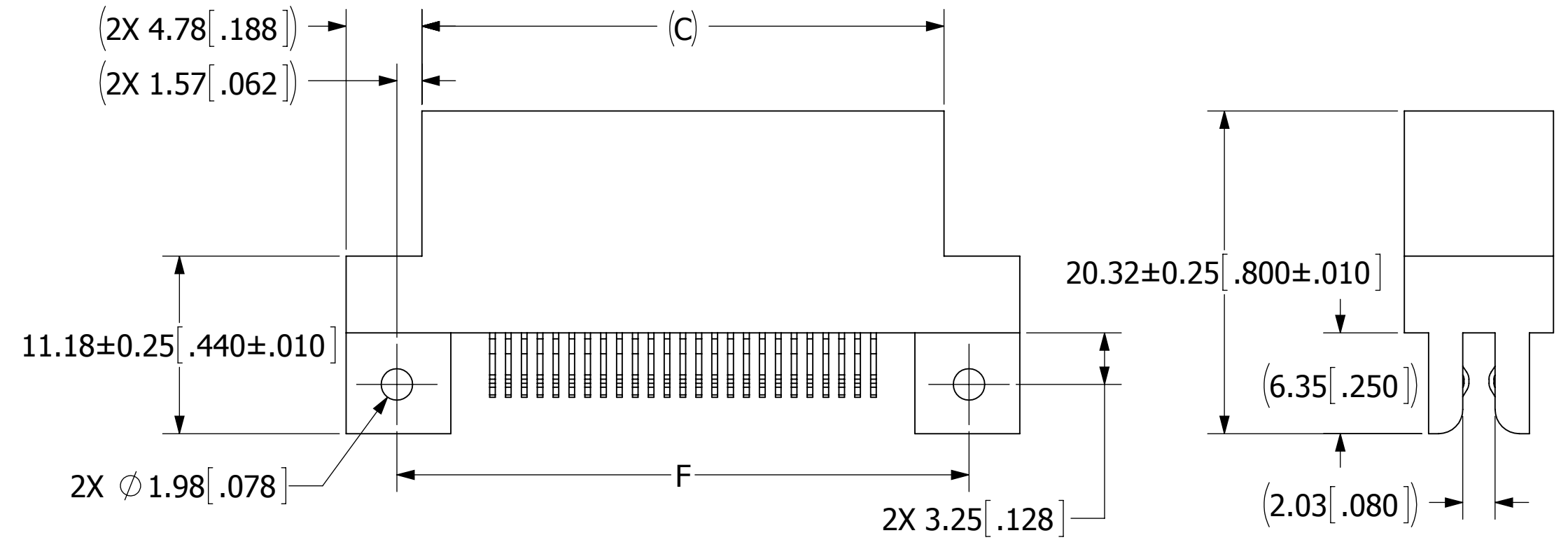
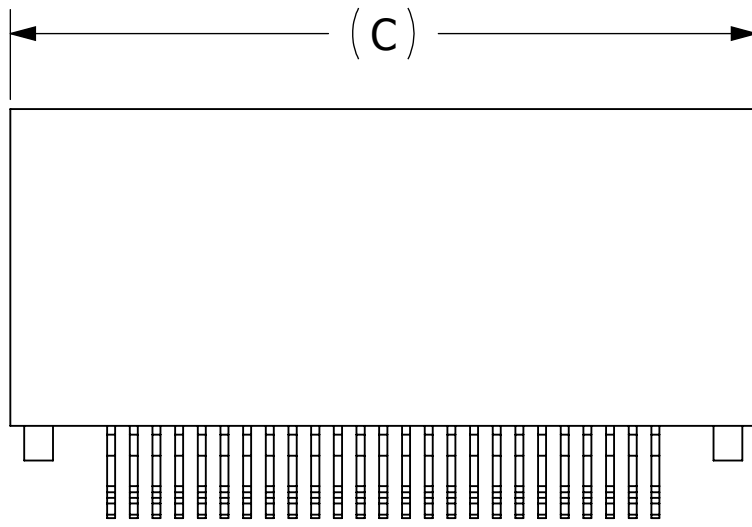
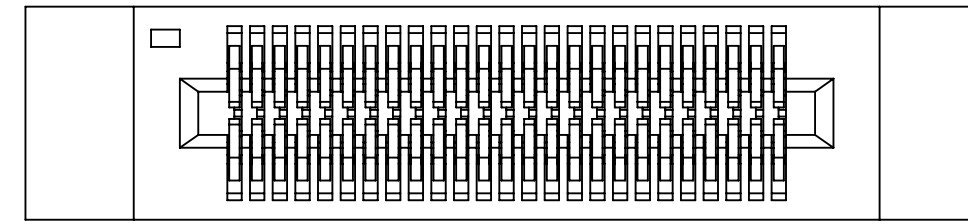
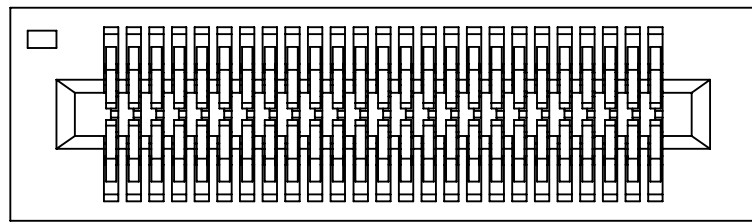


- NOTES:**
- INSULATOR MATERIAL: SEE PART NUMBER CODING
 - CONTACT MATERIAL: SEE PART NUMBER CODING
 - PLATING: SEE PART NUMBER CODING
 - OPERATING TEMPERATURE: SEE PART NUMBER CODING
 - PROCESSING TEMP: SEE PART NUMBER CODING
 - UL FLAMMABILITY RATING: 94V-0
 - OPERATING VOLTAGE: 225 VAC MINIMUM AT SEA LEVEL
 - CURRENT RATING: 1 AMP
 - CONTACT RESISTANCE: 30 MILLI OHMS MAX
 - INSULATION RESISTANCE: 5000 MEGA OHMS
 - DURABILITY: 500 CYCLES MIN
 - CONNECTOR IDENTIFICATION: THE PART SHALL BE MARKED WITH A PART NUMBER AND LOT CODE
 - BOARD THICKNESS ACCOMMODATED: 1.57±0.20 [.062±.008]
 - INSERTION FORCE: 6 OZ MAX PER CONTACT PAIR WHEN USING A 1.57 [.062] TEST BLADE
 - WITHDRAWAL FORCE: 1 OZ MIN PER CONTACT PAIR USING 1.57 [.062] PCB



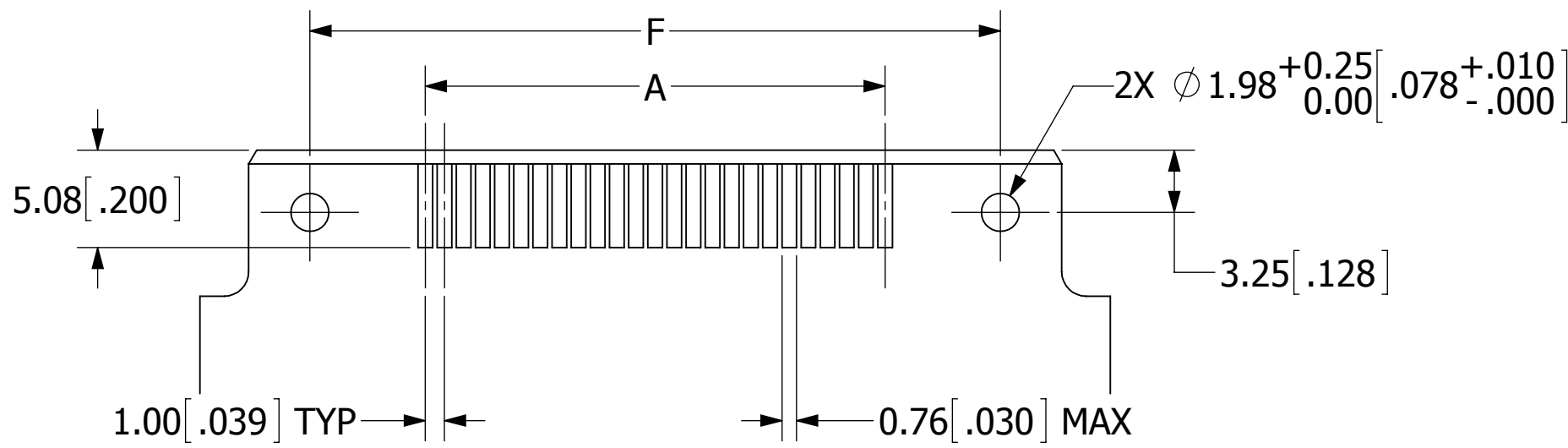
CUSTOMER COPY

UNLESS OTHERWISE SPECIFIED: DIMENSIONS ARE IN MM [INCHES]	DRAWN	DATE	NAME	
		12/19/2005	HT	
TOLERANCES: ANGULAR: ± 1° DECIMALS .X = ± .5 [.02] .XX = ± .13 [.005] .XXX = ± .013 [.0005]	<small>THE INFORMATION HEREIN CONTAINS PROPRIETARY INFORMATION OF SULLINS ELECTRONICS AND IS NOT TO BE REPRODUCED, USED OR DISCLOSED TO OTHERS FOR ANY PURPOSE EXCEPT AS SPECIFICALLY AUTHORIZED IN WRITING BY AN OFFICER OF SULLINS ELECTRONICS.</small>			TITLE
				EDGECARD, 1mm CC
PART NUMBER				E_DHR
SIZE	CAGE CODE	DWG. NO.	REV	
C	54453	C10645	G	
SCALE: 3:1		SHEET 1 OF 3		

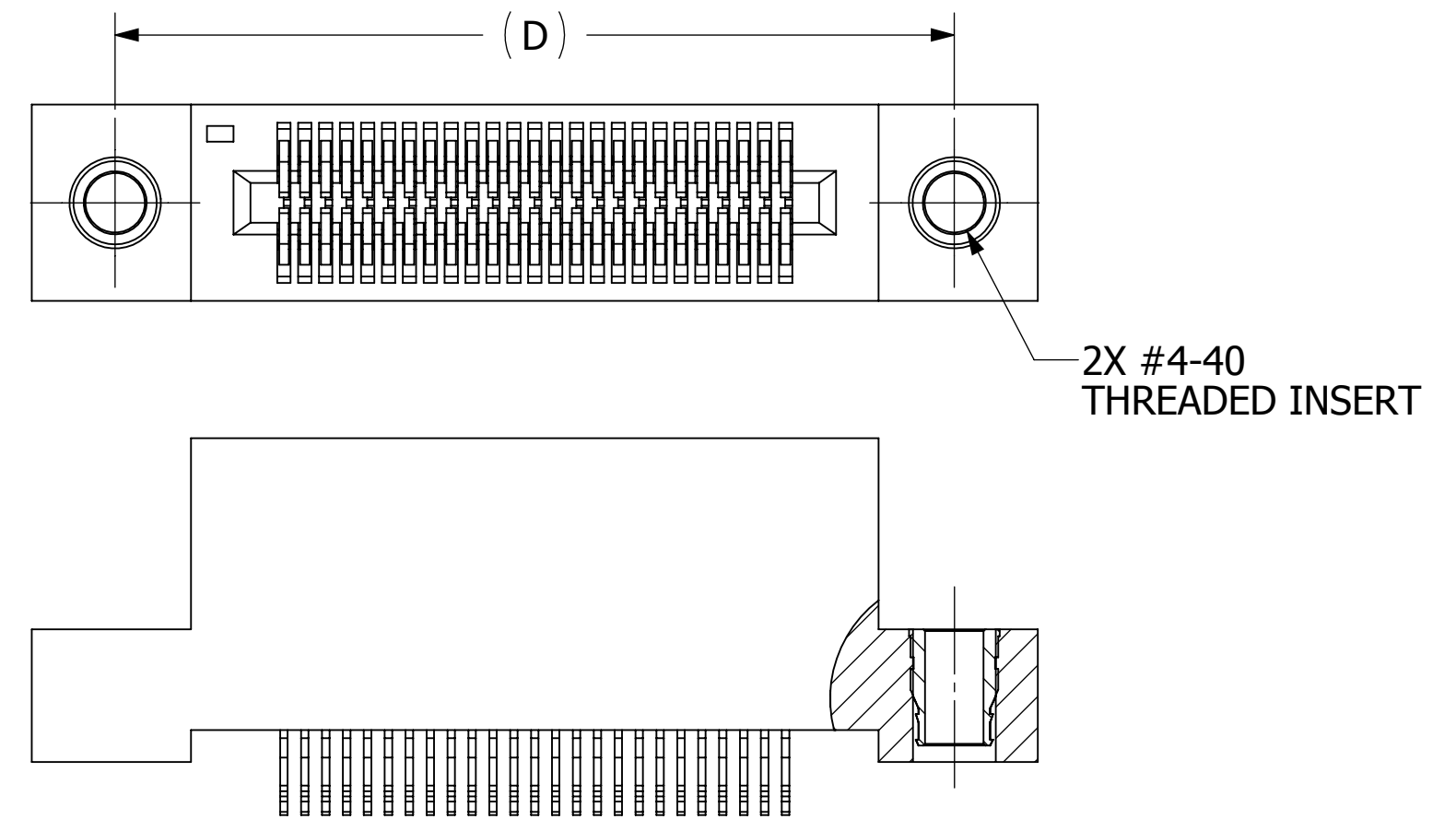


__ E __ DHRN

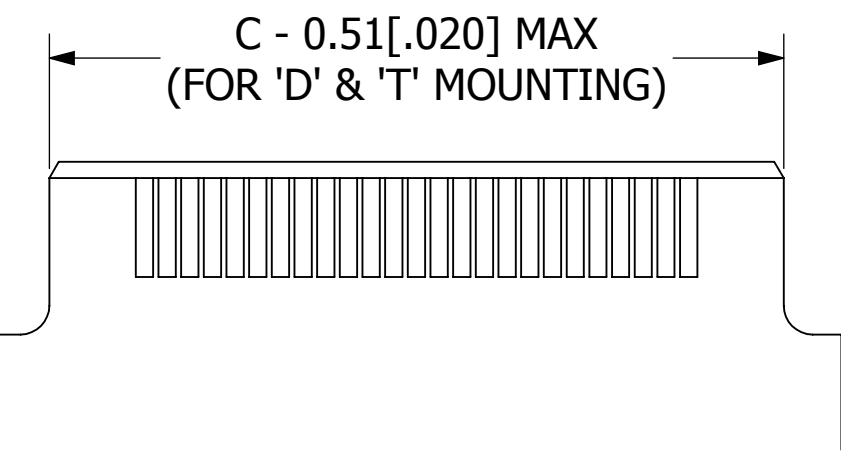
__ E __ DHRQ



RECOMMENDED PCB LAYOUT
(FOR 'Q' MOUNTING)



__ E __ DHRT



RECOMMENDED PCB LAYOUT
(FOR 'D', 'T', AND 'N' MOUNTING)

CUSTOMER COPY



UNLESS OTHERWISE SPECIFIED:
DIMENSIONS ARE IN MM [INCHES]

TOLERANCES:

ANGULAR: ± 1°

DECIMALS

.X=± .5 [.02]

.XX=± .13 [.005]

.XXX=± .013 [.0005]

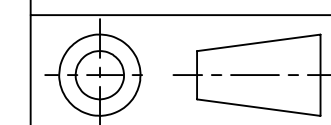
DRAWN	DATE	NAME
	12/19/2005	HT

THE INFORMATION HEREIN CONTAINS
PROPRIETARY INFORMATION OF
SULLINS ELECTRONICS AND IS NOT
TO BE REPRODUCED, USED OR
DISCLOSED TO OTHERS FOR ANY
PURPOSE EXCEPT AS SPECIFICALLY
AUTHORIZED IN WRITING BY AN
OFFICER OF SULLINS ELECTRONICS.



TITLE
EDGECARD, 1mm CC

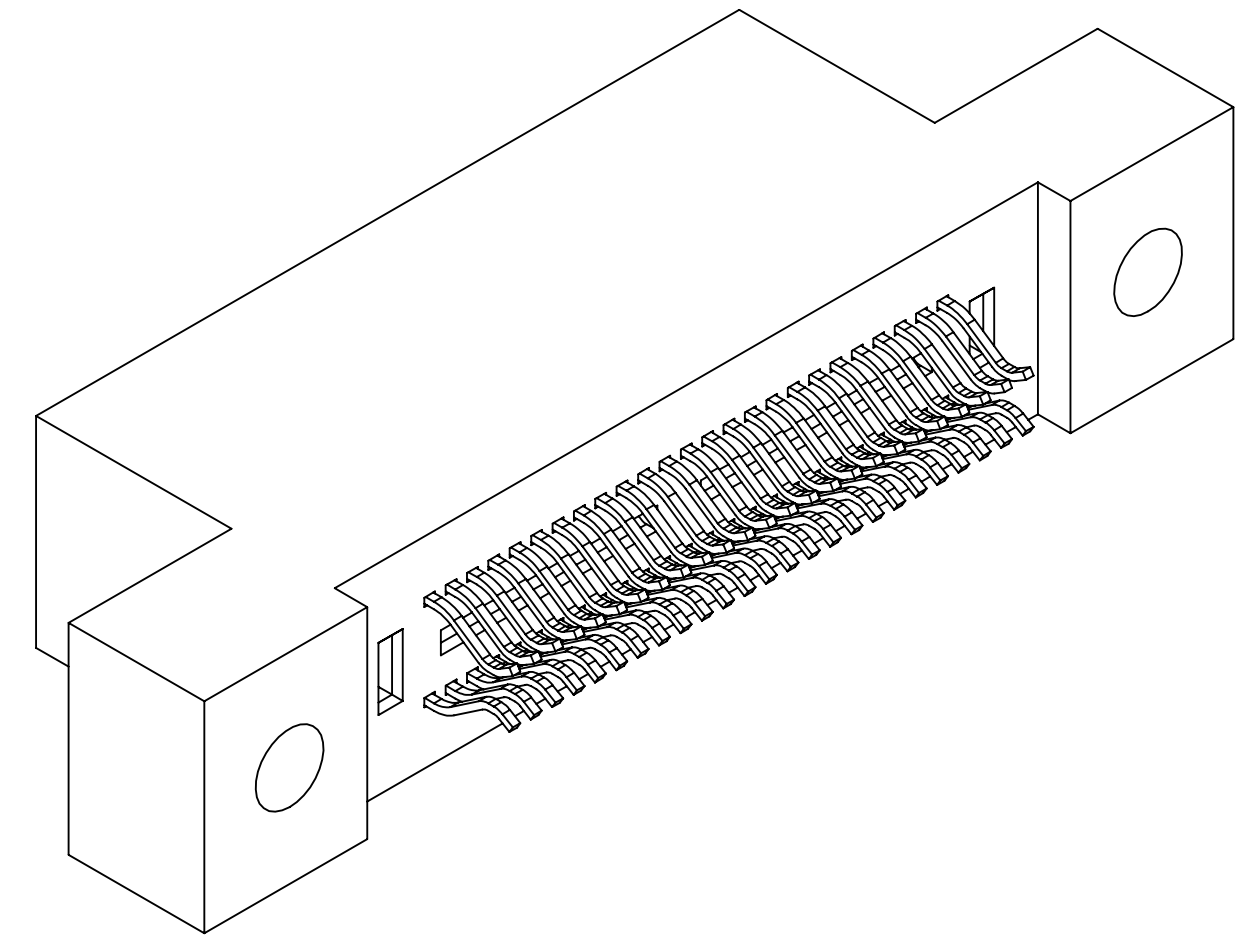
PART NUMBER
__ E __ DHR __



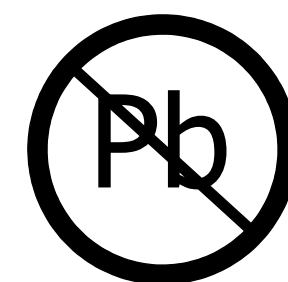
SIZE	CAGE CODE	DWG. NO.	REV
C	54453	C10645	G

SCALE: 3:1 SHEET 2 OF 3

PART NUMBER	NO OF POSITIONS	A±0.13[±.005]		B±0.13[±.005]		C±0.38[±.015]		D±0.25[±.010]		E±0.51[±.020]		F±0.25[±.010]	
		INCHES	MM	INCHES	MM	INCHES	MM	INCHES	MM	INCHES	MM	INCHES	MM
__ E02DHR __	2	0.039	1.00	0.170	4.32	0.389	9.89	0.675	17.15	0.989	25.13	0.513	13.03
__ E03DHR __	3	0.079	2.00	0.210	5.32	0.429	10.89	0.715	18.15	1.029	26.13	0.553	14.05
__ E04DHR __	4	0.118	3.00	0.249	6.32	0.468	11.89	0.754	19.15	1.068	27.13	0.592	15.04
__ E05DHR __	5	0.157	4.00	0.288	7.32	0.507	12.89	0.793	20.15	1.107	28.13	0.631	16.03
__ E06DHR __	6	0.197	5.00	0.328	8.32	0.547	13.89	0.833	21.15	1.147	29.13	0.671	17.04
__ E07DHR __	7	0.236	6.00	0.367	9.32	0.586	14.89	0.872	22.15	1.186	30.13	0.710	18.03
__ E08DHR __	8	0.276	7.00	0.407	10.32	0.626	15.89	0.912	23.15	1.226	31.13	0.750	19.05
__ E09DHR __	9	0.315	8.00	0.446	11.32	0.665	16.89	0.951	24.15	1.265	32.13	0.789	20.04
__ E10DHR __	10	0.354	9.00	0.485	12.32	0.704	17.89	0.990	25.15	1.304	33.13	0.828	21.03
__ E11DHR __	11	0.394	10.00	0.525	13.32	0.744	18.89	1.030	26.15	1.344	34.13	0.868	22.05
__ E12DHR __	12	0.433	11.00	0.564	14.32	0.783	19.89	1.069	27.15	1.383	35.13	0.907	23.04
__ E13DHR __	13	0.472	12.00	0.603	15.32	0.822	20.89	1.108	28.15	1.422	36.13	0.946	24.03
__ E14DHR __	14	0.512	13.00	0.643	16.32	0.862	21.89	1.148	29.15	1.462	37.13	0.986	25.04
__ E15DHR __	15	0.551	14.00	0.682	17.32	0.901	22.89	1.187	30.15	1.501	38.13	1.025	26.04
__ E16DHR __	16	0.591	15.00	0.722	18.32	0.941	23.89	1.227	31.15	1.541	39.13	1.065	27.05
__ E17DHR __	17	0.630	16.00	0.761	19.32	0.980	24.89	1.266	32.15	1.580	40.13	1.104	28.04
__ E18DHR __	18	0.669	17.00	0.800	20.32	1.019	25.89	1.305	33.15	1.619	41.13	1.143	29.03
__ E19DHR __	19	0.709	18.00	0.840	21.32	1.059	26.89	1.345	34.15	1.659	42.13	1.183	30.05
__ E20DHR __	20	0.748	19.00	0.879	22.32	1.098	27.89	1.384	35.15	1.698	43.13	1.222	31.04
__ E21DHR __	21	0.787	20.00	0.918	23.32	1.137	28.89	1.423	36.15	1.737	44.13	1.261	32.03
__ E22DHR __	22	0.827	21.00	0.958	24.32	1.177	29.89	1.463	37.15	1.777	45.13	1.301	33.05
__ E23DHR __	23	0.866	22.00	0.997	25.32	1.216	30.89	1.502	38.15	1.816	46.13	1.340	34.04
__ E24DHR __	24	0.906	23.00	1.037	26.32	1.256	31.89	1.542	39.15	1.856	47.13	1.380	35.05
__ E25DHR __	25	0.945	24.00	1.076	27.32	1.295	32.89	1.581	40.15	1.895	48.13	1.419	36.04
__ E26DHR __	26	0.984	25.00	1.115	28.32	1.334	33.89	1.620	41.15	1.934	49.13	1.458	37.03
__ E27DHR __	27	1.024	26.00	1.155	29.32	1.374	34.89	1.660	42.15	1.974	50.13	1.498	38.05
__ E28DHR __	28	1.063	27.00	1.194	30.32	1.413	35.89	1.699	43.15	2.013	51.13	1.537	39.04
__ E29DHR __	29	1.102	28.00	1.233	31.32	1.452	36.89	1.738	44.15	2.052	52.13	1.576	40.03
__ E30DHR __	30	1.142	29.00	1.273	32.32	1.492	37.89	1.778	45.15	2.092	53.13	1.616	41.05
__ E31DHR __	31	1.181	30.00	1.312	33.32	1.531	38.89	1.817	46.15	2.131	54.13	1.655	42.04
__ E32DHR __	32	1.220	31.00	1.351	34.32	1.570	39.89	1.856	47.15	2.170	55.13	1.694	43.03
__ E33DHR __	33	1.260	32.00	1.391	35.32	1.610	40.89	1.896	48.15	2.210	56.13	1.734	44.04
__ E34DHR __	34	1.299	33.00	1.430	36.32	1.649	41.89	1.935	49.15	2.249	57.13	1.773	45.03
__ E35DHR __	35	1.339	34.00	1.470	37.32	1.689	42.89	1.975	50.15	2.289	58.13	1.813	46.05
__ E36DHR __	36	1.378	35.00	1.509	38.32	1.728	43.89	2.014	51.15	2.328	59.13	1.852	47.04
__ E37DHR __	37	1.417	36.00	1.548	39.32	1.767	44.89	2.053	52.15	2.367	60.13	1.891	48.03
__ E38DHR __	38	1.457	37.00	1.588	40.32	1.807	45.89	2.093	53.15	2.407	61.13	1.931	49.05
__ E39DHR __	39	1.496	38.00	1.627	41.32	1.846	46.89	2.132	54.15	2.446	62.13	1.970	50.04
__ E40DHR __	40	1.535	39.00	1.666	42.32	1.885	47.89	2.171	55.15	2.485	63.13	2.009	51.03
__ E41DHR __	41	1.575	40.00	1.706	43.32	1.925	48.89	2.211	56.15	2.525	64.13	2.049	52.04
__ E42DHR __	42	1.614	41.00	1.745	44.32	1.964	49.89	2.250	57.15	2.564	65.13	2.088	53.04
__ E43DHR __	43	1.654	42.00	1.785	45.32	2.004	50.89	2.290	58.15	2.604	66.13	2.128	54.05
__ E44DHR __	44	1.693	43.00	1.824	46.32	2.043	51.89	2.329	59.15	2.643	67.13	2.167	55.04
__ E45DHR __	45	1.732	44.00	1.863	47.32	2.082	52.89	2.368	60.15	2.682	68.13	2.206	56.03
__ E46DHR __	46	1.772	45.00	1.903	48.32	2.122	53.89	2.408	61.15	2.722	69.13	2.246	57.05
__ E47DHR __	47	1.811	46.00	1.942	49.32	2.161	54.89	2.447	62.15	2.761	70.13	2.285	58.04
__ E48DHR __	48	1.850	47.00	1.981	50.32	2.200	55.89	2.486	63.15	2.800	71.13	2.324	59.03
__ E49DHR __	49	1.890	48.00	2.021	51.32	2.240	56.89	2.526	64.15	2.840	72.13	2.364	60.05
__ E50DHR __	50	1.929	49.00	2.060	52.32	2.279	57.89	2.565	65.15	2.879	73.13	2.403	61.04



CUSTOMER COPY



RoHS COMPLIANT

UNLESS OTHERWISE SPECIFIED:
DIMENSIONS ARE IN MM (INCHES)

TOLERANCES:

ANGULAR: ± 1°

DECIMALS

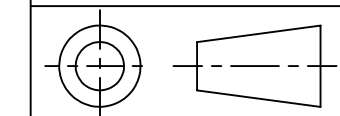
.X=± .5 [.02]

.XX=± .13 [.005]

.XXX=± .013 [.0005]

DRAWN	DATE	NAME
	12/19/2005	HT

THE INFORMATION HEREIN CONTAINS PROPRIETARY INFORMATION OF SULLINS ELECTRONICS AND IS NOT TO BE REPRODUCED, USED OR DISCLOSED TO OTHERS FOR ANY PURPOSE EXCEPT AS SPECIFICALLY AUTHORIZED IN WRITING BY AN OFFICER OF SULLINS ELECTRONICS.



TITLE
EDGECARD, 1mm CC

PART NUMBER
__ E __ DHR __

SIZE	CAGE CODE	DWG. NO.	REV
C	54453	C10645	G

SCALE: 3:1 SHEET 3 OF 3