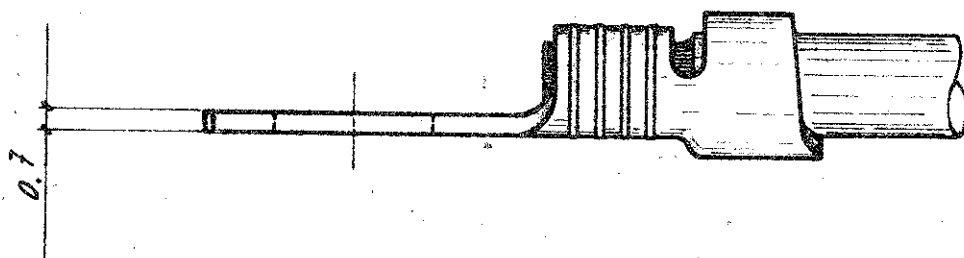
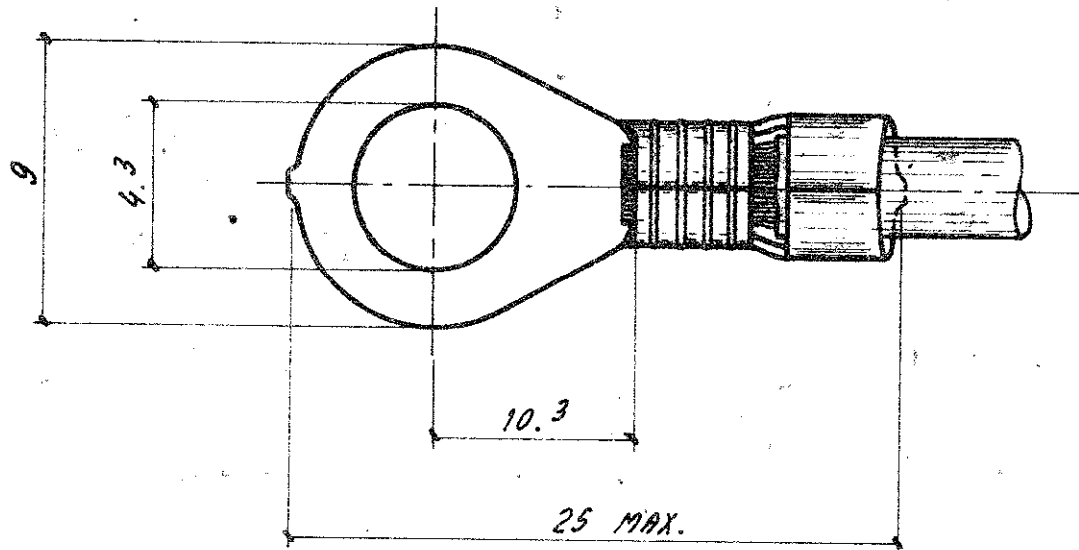


NUMBER
C-280261



DIMENSIONS IN mm/IN DO NOT SCALE PRINT

© 1970 BY AMP INCORPORATED. ALL RIGHTS RESERVED. AMP PRODUCTS COVERED BY PATENTS AND/OR PATENTS PENDING.

CUSTOMER COPY
REFERENCE ONLY

F	Revised E100-0067-01	G-S	09/03/01
C	P/N 280261-1 OBSOLETE		8/17 24/2/89
B	TERMINALE IN PRODUZIONE		30-9-71
A	P/N ERA 1A-70-5069		2-8-71

MATERIAL AND FINISH
 OTTONE (BRASS) ----- /1
 BITONE STAGNATO (TIN PLATED BRASS) ----- /2
 WIRE --- RANGE --- INSULATION
 4 ÷ 6 m/m² 3,8 ÷ 5,3 g/100



AMP - ITALIA
CORSO PESCHIERA 209/6
TORINO - ITALIA

LTR	REVISION RECORD	DR	CHK	DATE
DR	7 th APRIL 70	DE		
	8 th APRIL 70	APP		

TOLERANCE EXCEPT AS NOTED ± 0,4 ± 10 °	SCALE ---	LOC I A	NO C-280261	REV F
---	--------------	------------	----------------	----------

RING TONGUE WITH INS. SUPPORT.