

**Technical specification:**

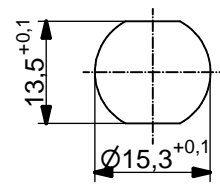
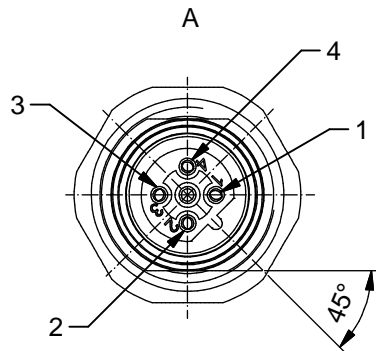
Rated voltage: IEC 61076-2-101	250 V
Current rating: IEC 61076-2-101	4 A at 40°C
Insulation resistance: IEC 60512	>=100 MΩ
Pollution degree: IEC 60664-1	3/2
Degree of protection: IEC 60529	IP 67, in mated condition
Temperature range:	-30°C ... +85°C
Mating cycles: IEC 60512-9a	>=100

**Materials:**

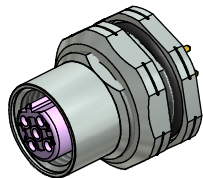
Contact:	CuZn
Contact plating:	Nickel, gold plated
Contact carrier:	PBT GF, UL 94
Sealing connector: chassis	FPM NBR
Counternut:	CuZn, nickel plated
Socket housing:	CuZn, nickel plated
Grouting:	Polyurethane-resin, UL 94

**Installation specification:**

Recommended torque:	1-1,2 Nm
Conec installation tool:	Torque wrench: 36-000200 Insert across flats 19: 36-000250



Minimum wall thickness 1,5mm,  
alternativ panel cut-out d=15,3



Part no:	Description:	Pos	Length L:	D1
43-01249	SAL - 12B - FKH4 - P5,5 - 9	4	5,5mm	Ø5,0
43-01250	SAL - 12B - FKH4 - P12 - 9	4	12mm	Ø5,0

DO NOT ALTER CAD DRAWING BY HAND Directive 2011/65/EU RoHS compliant	Index: d 08.09.14 MG Ä5180 temperature range changed		title: <b>Female socket M12x1 with dip solder, backmounting, PG9, Profibus DP</b>		
			date	name	dwg no: <b>43K1A608</b>
		drawn	11.02.08	Fromm	
		appd.	05.10.07	Burschik	
general tolerance: 0 ± 0,50mm 0,0 ± 0,25mm 0,00 ± 0,10mm					
<small>THIS DRAWING MAY NOT BE COPIED OR REPRODUCED IN ANY WAY, AND MAY NOT BE PASSED ON TO A THIRD PARTY WITHOUT WRITTEN PERMISSION. OWNERSHIP AND COPYRIGHT OF CONEC GmbH</small>					