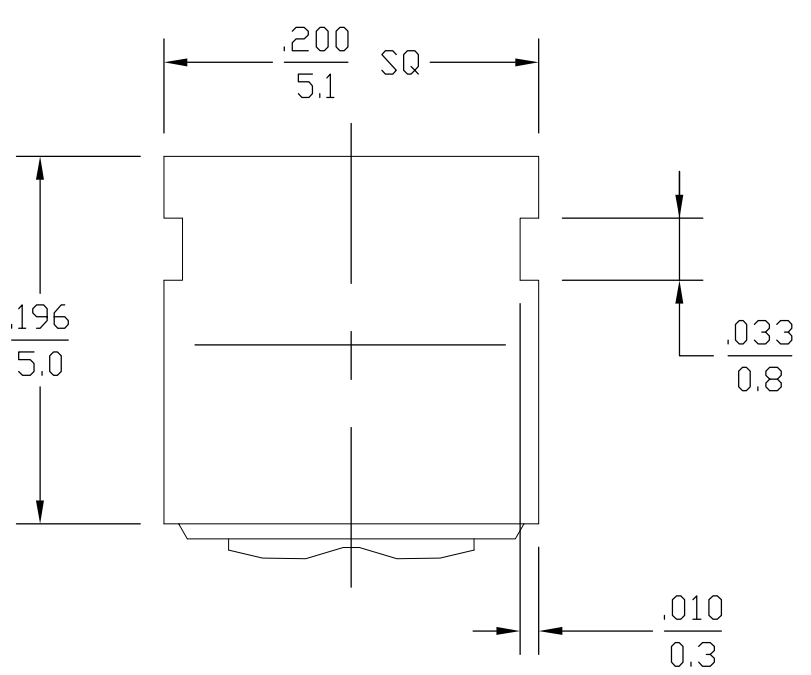
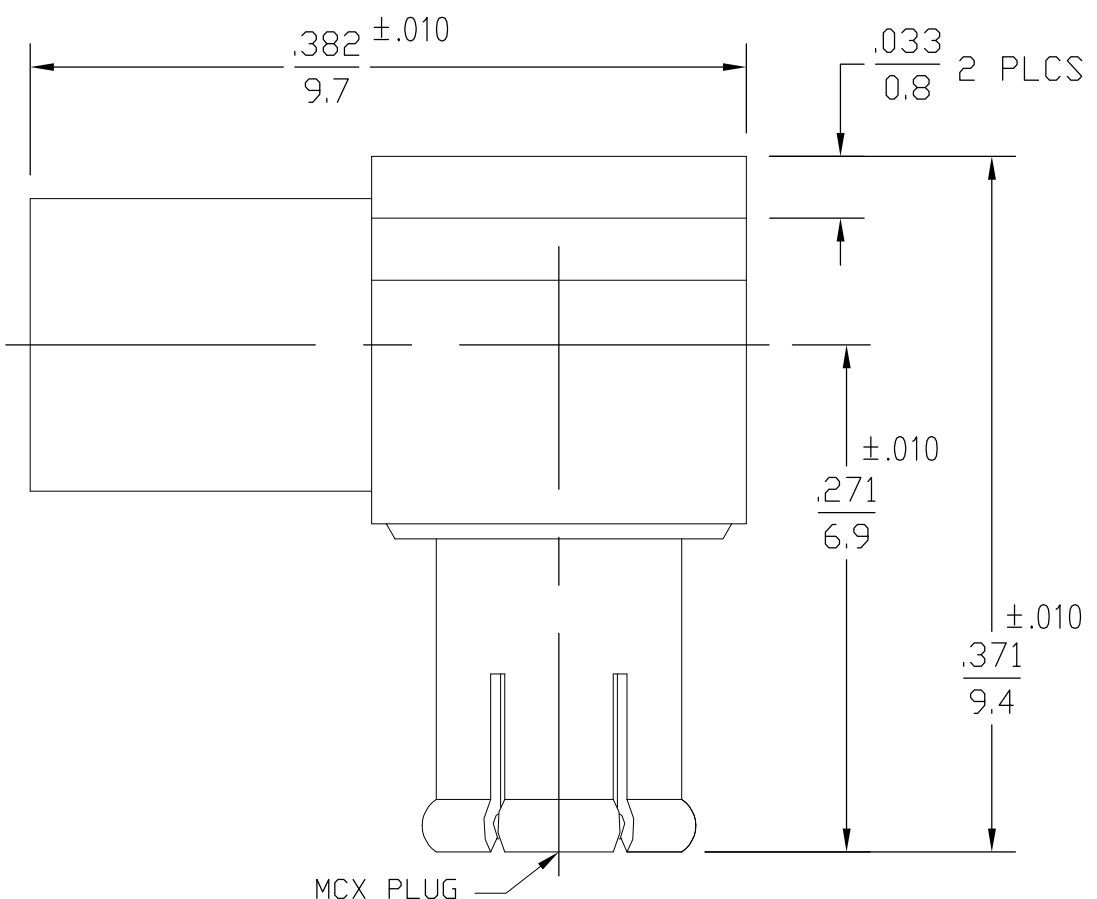


THIS DRAWING IS UNPUBLISHED. RELEASED FOR PUBLICATION  
 © COPYRIGHT BY TYCO ELECTRONICS CORPORATION. ALL RIGHTS RESERVED.

LOC	DIST	REVISIONS					
AJ	00	P	LTR	DESCRIPTION	DATE	DWN	APVD
			B	REV PER ECO 08-006829	18MAR2008	DW	JL



1. FOR USE WITH M/A-COM FC14BC2 CABLE.

ELECTRICAL	MECHANICAL	ENVIRONMENTAL
Nominal Impedance (Ohms) <u>50</u>	Interface Dimensions <u>MIL-STD-348</u>	Temperature Rating <u>-65°C to +165°C</u>
Frequency Range (GHz) <u>DC to 2.0</u>	Mating Characteristics:	Vibration <u>MIL-STD-202, Method 204,</u>
Volt Rating (VRMS MAX) @ Sea Level <u>335</u>	Insertion (MAX Lbs) <u>3.4</u>	Condition B
VSWR <u>TBD</u>	Withdrawal (MIN Oz) <u>1.77MIN-4.50 MAX</u>	Shock <u>MIL-STD-202, Method 107,</u>
Insertion Loss (dB MAX) <u>TBD</u>	Center Contact Captivation: <u>DESIGNED TO MAINTAIN MCX INTERACE WHEN MATING</u>	Condition B
RF Leakage (dB MIN) (Interface Only Fully Mated) <u>N/A</u>	Cable Retention:	Thermal Shock <u>MIL-STD-202, Method 102,</u>
Corona 70,000 FI (VRMS MIN) <u>250</u>	Axial Force (Lbs) <u>N/A</u>	Condition C
Dielectric Withstanding Voltage (VRMS MIN) @ Sea Level <u>1000</u>	Torque (In/Oz) <u>N/A</u>	Except High Temperature <u>N/A</u>
Contact Resistance (MilliOhms MAX) Center Contact <u>5.0</u>	Weight (Grams) <u>N/A</u>	Moisture Resistance <u>MIL-STD-202,</u>
Outer Contact <u>1.0</u>		Method 106D, 10 CYCLES, 96 HOURS
Cable to Housing <u>1.0</u>		Corrosion <u>MIL-STD-202, Method 101,</u>
RF High Potential @ Sea Level (VRMS MIN @ 5 MHz) <u>670</u>		Condition A
I.R. (MegaOhmz MIN) <u>10,000</u>		

COMPONENT	MATERIAL	FINISH	CABLE ENTRY DIAMETER (MIN)
CONTACT FINGER	BE-CU PER ASTM-B-196, OR ASTM-B-197 ALLOY C17300, CONDITION H	TIN PLATE PER ASTM-B-545	-
HOUSING	BRASS PER ASTM-B-16 HALF HARD	TIN PLATE PER ASTM-B-545	.128
CAP	BRASS PER ASTM-B-16 HALF HARD	NICKEL PLATE PER QQ-N-290	-
DIELECTRIC	PTFE FLUOROCARBON PER ASTM-D-1457	-	-
CENTER CONTACT	BE-CU PER ASTM-B-196, OR ASTM-B-197 ALLOY C17300, CONDITION H	GOLD PLATE PER MIL-G-45204	.038 SLOT

THIS DRAWING IS A CONTROLLED DOCUMENT.

DIMENSIONS: INCHES / mm	TOLERANCES UNLESS OTHERWISE SPECIFIED:
	0 PLC ± -
	1 PLC ± -
	2 PLC ± -
	3 PLC ± .005
	4 PLC ± -
	ANGLES ± 1°
MATERIAL SEE TABLE	FINISH SEE TABLE

DWN	01FEB2005
L. VARELA - DOCK5	
CHK	01FEB2005
J. HAVENER	
APVD	01FEB2005
K. WEIDNER	
PRODUCT SPEC	
APPLICATION SPEC	
408-4649	
WEIGHT	-
CUSTOMER DRAWING	

**Tyco Electronics** Tyco Electronics Corporation  
 Harrisburg, PA 17105-3608

NAME: MCX RIGHT ANGLE CABLE PLUG SOLDER ATTACHMENT (5807-5008-13)

SIZE: A3 CAGE CODE: 00779 DRAWING NO: G-6060782 RESTRICTED TO: -

SCALE: 10:1 SHEET: 1 OF 1 REV: B