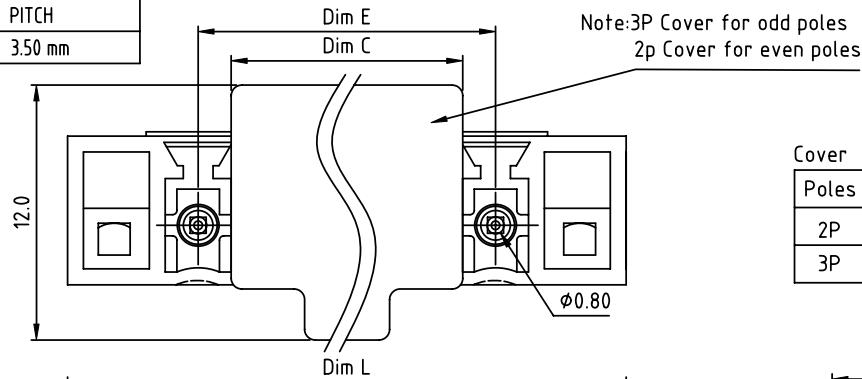
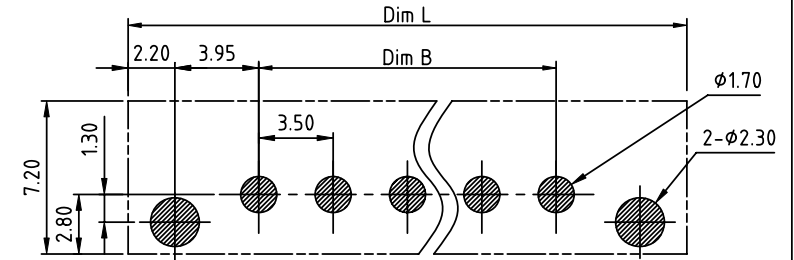


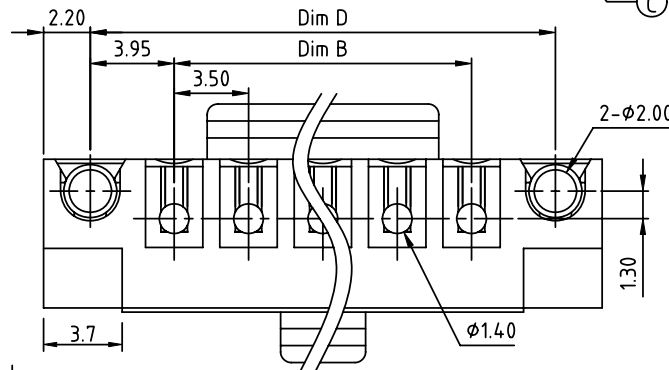
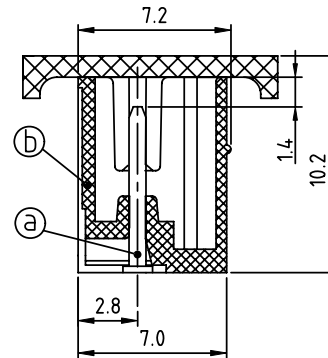
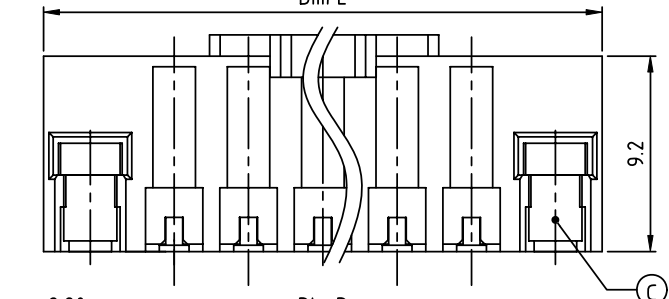
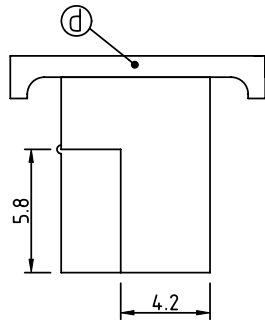
PRODUCT NUMBER	PITCH
OQxx1500D0J0G	3.50 mm



Poles	Dim C
2P	7.40
3P	10.90



RECOMMENDED P.C.B LAYOUT
TOP VIEW



Material:

- Item (a) Pin: Brass, Tin plated
- Item (b) Terminal housing: High temp. polyamide (UL94V-0)
- Item (c) With flange stud: Brass, Tin plated
- Item (d) With cover: High temp. polyamide (UL94V-0)

Electrical:

- Voltage rating: 150V
- Current rating: 8A
- Withstanding Voltage: 1.3 KV
- Operating temperature: -40°C to +65°C
- Reflow soldering temperature: 260°C/10 Sec max

N=Number of poles

Dim L	$(N-1) \times 3.5 + 12.3$
Dim B	$(N-1) \times 3.50$
Dim D	$(N-1) \times 3.50 + 7.9$
Dim E	$(N-1) \times 3.50$

Poles	Tolerance
2p-6p	±0.15
7p-12p	±0.20
13p-16p	±0.30

PART NO.: OQ xx 1 5 0 0 D0J0 G

- Solid block
- No. of poles: 02 2 poles, 03 3 poles, ... 16 16 poles
- Color: 0 Black (RAL9005)
- RoHS compliant (lead < 4%) In copper Alloy

mat'l. code		surface ASME Y14.5	tolerance ASME Y14.5	projection	product family TERMINAL BLOCK
ltr	ecn no	dr	date	tolerances unless otherwise specified	title
				angles X°±1'	TERMINAL BLOCK
				position X.XX±0.1	PLUGGABLE SOCKET, VERTICAL, SMT
		dr	EVIN ZHONG 051314	scale	dwg no
		enr	EVIN ZHONG 051314	MM	sheet 1 of 1
		chr	HANKE FENG 051314	FCI	size A4
		appd	SHI JUN 051314		QOxx1500D0J0G
sheet index	revision sheet	A	1		type CUSTOMER Drawing