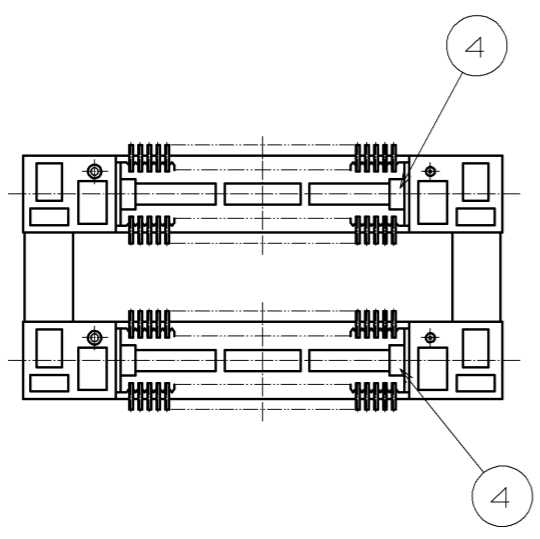
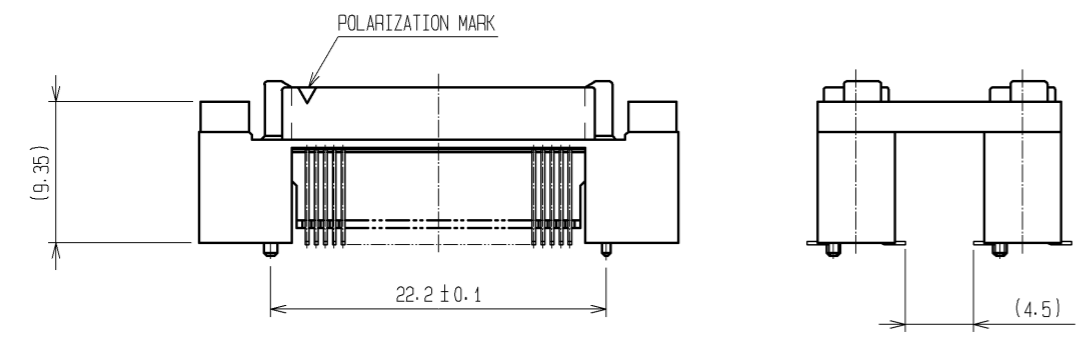
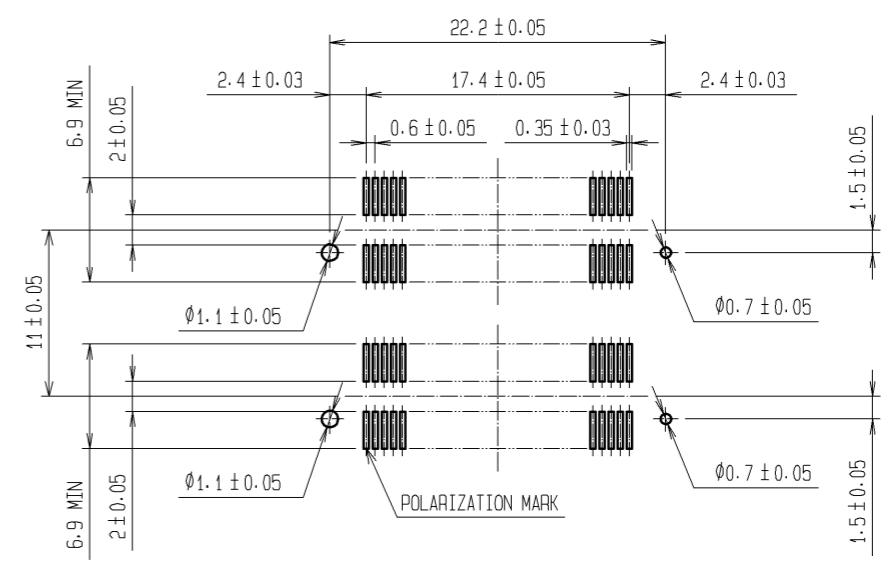


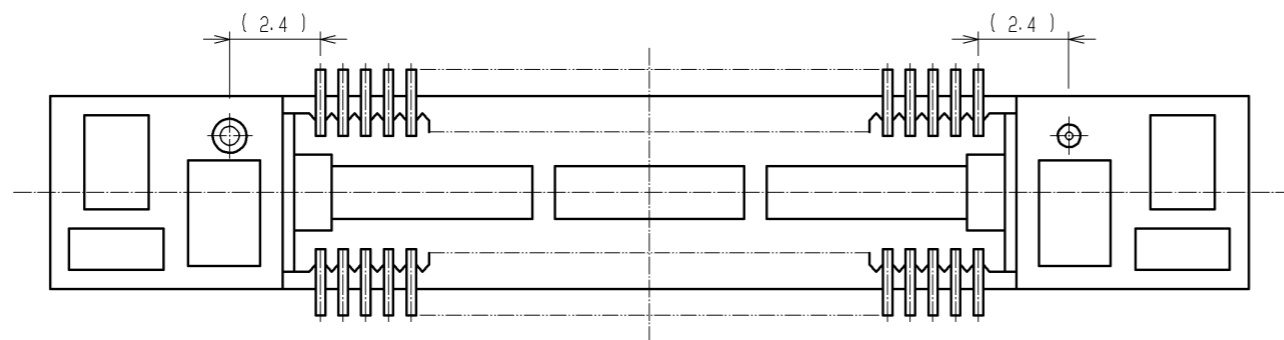
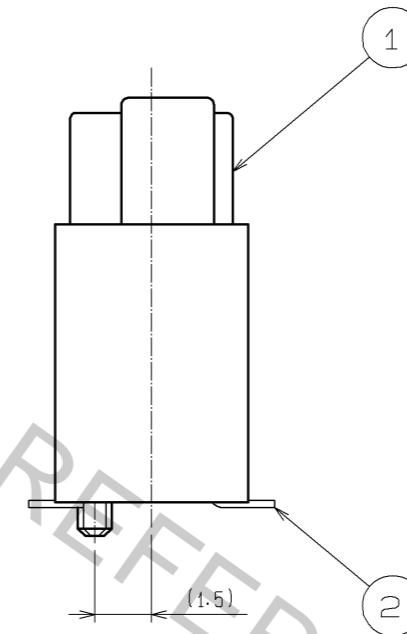
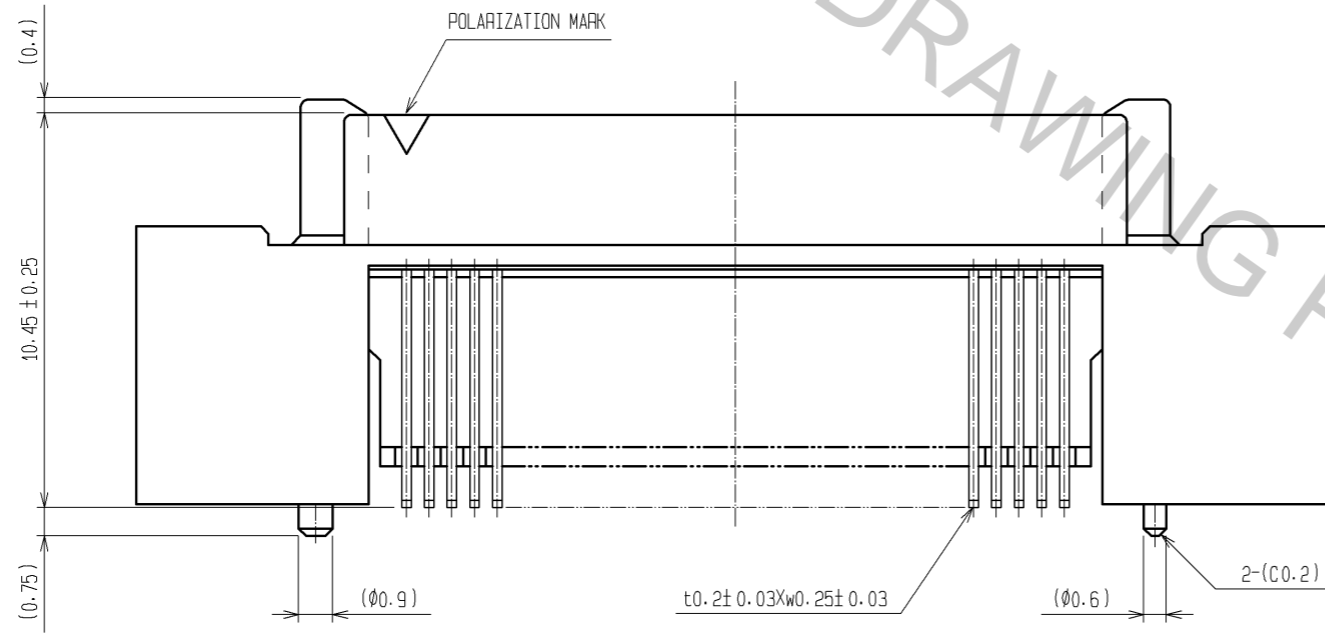
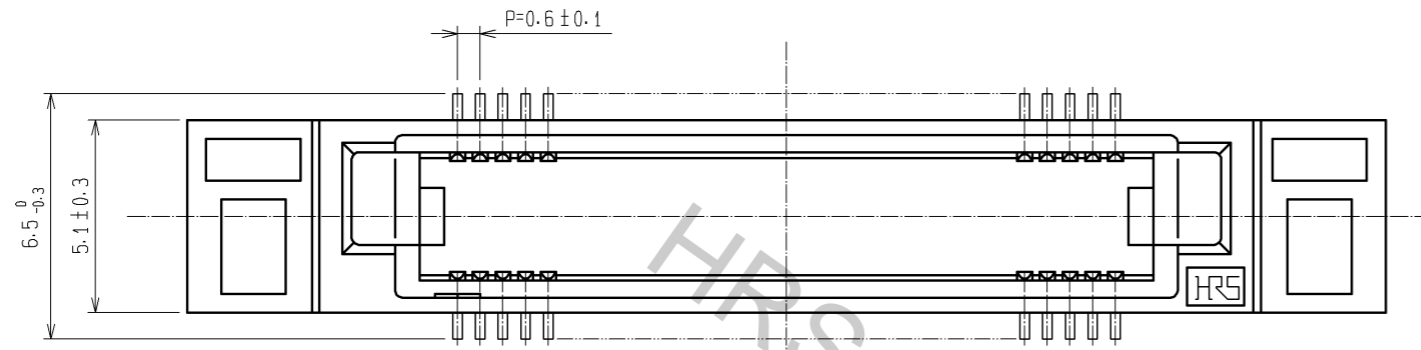
RECOMMENDED LAND PATTERN DIMENSION  
OF PCB(MOUNTING SIDE)  
(RECOMMENDED METAL MASK THICKNESS:0.15mm)



- NOTES
- 1 LEAD CO-PLANARITY SHALL BE 0.1mm MAX.
  - 2 AFTER MOUNTING BOARD, REF.NO.3 SHALL BE REMOVED.
  - 3 FOR MODIFICATION, ETC., PREVENTIVE HOLE FOR SINK MARK MAY BE ADDED DEPENDS ON CIRCUMSTANCES.
  - 4 THE DIMENSIONS IN PARENTHESES ARE FOR REFERENCE.

|                                      |          |                         |            |                                 |   |         |      |
|--------------------------------------|----------|-------------------------|------------|---------------------------------|---|---------|------|
| 1, 3, 4                              | PPS      | LIGHT BROWN (UL94V-0)   | 2          | PHOSPHOR BRONZE                 | CONTACT AREA : GOLD 0.1μm min.<br>LEAD AREA:TIN-PLATING 1μm min.<br>UNDER PLATING:NICKEL 1μm min. |         |      |
| NO.                                  | MATERIAL | FINISH . REMARKS        | NO.        | MATERIAL                        | FINISH . REMARKS  |         |      |
| UNITS<br>mm                          |          | SCALE<br>2 : 1          | COUNT<br>  | DESCRIPTION OF REVISIONS        | DESIGNED  | CHECKED | DATE |
| <b>HRS</b> HIROSE ELECTRIC CO., LTD. |          | APPROVED : HS. OKAWA    | 11. 03. 10 | DRAWING NO. EDC3-150951-25      |   |         |      |
|                                      |          | CHECKED : HT. YAMAGUCHI | 11. 03. 10 | PART NO. FX8C-60/60P11-SV6J(71) |   |         |      |
|                                      |          | DESIGNED : AH. EDASHIGE | 11. 03. 07 | CODE NO. CL578-0751-6-71        |   |         |      |
|                                      |          | DRAWN : AH. EDASHIGE    | 11. 03. 07 |                                 |   | 1/2     |      |

DETAIL AFTER REMOVING JOINT



NOTES THE DIMENSIONS IN PARENTHESES ARE FOR REFERENCE.

|            |             |                        |
|------------|-------------|------------------------|
| <b>HRS</b> | DRAWING NO. | EDC3-150951-25         |
|            | PART NO.    | FX8C-60/60P11-SV6J(71) |
|            | CODE NO.    | CL578-0751-6-71        |
|            |             | $\triangle$ 2/2        |