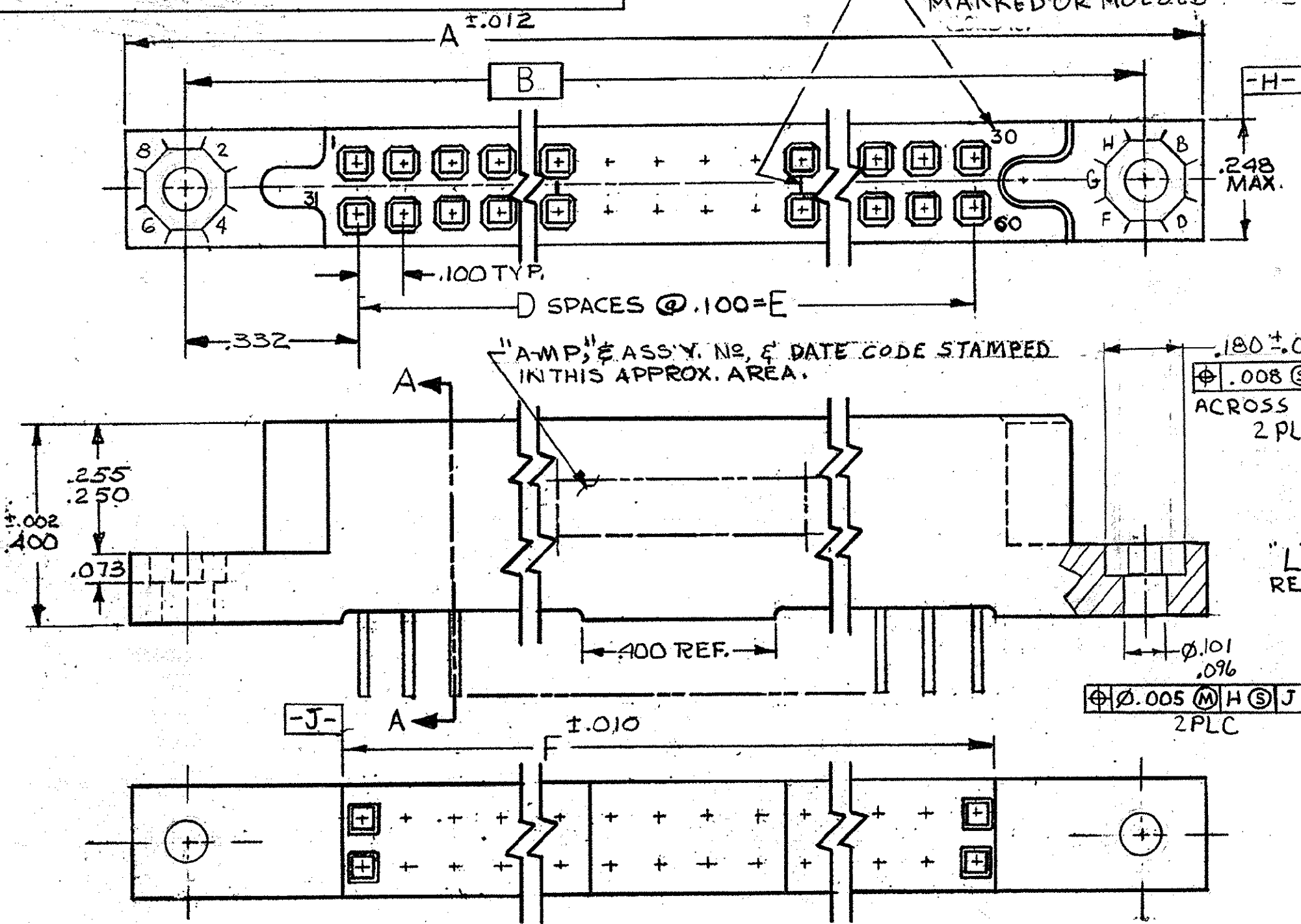


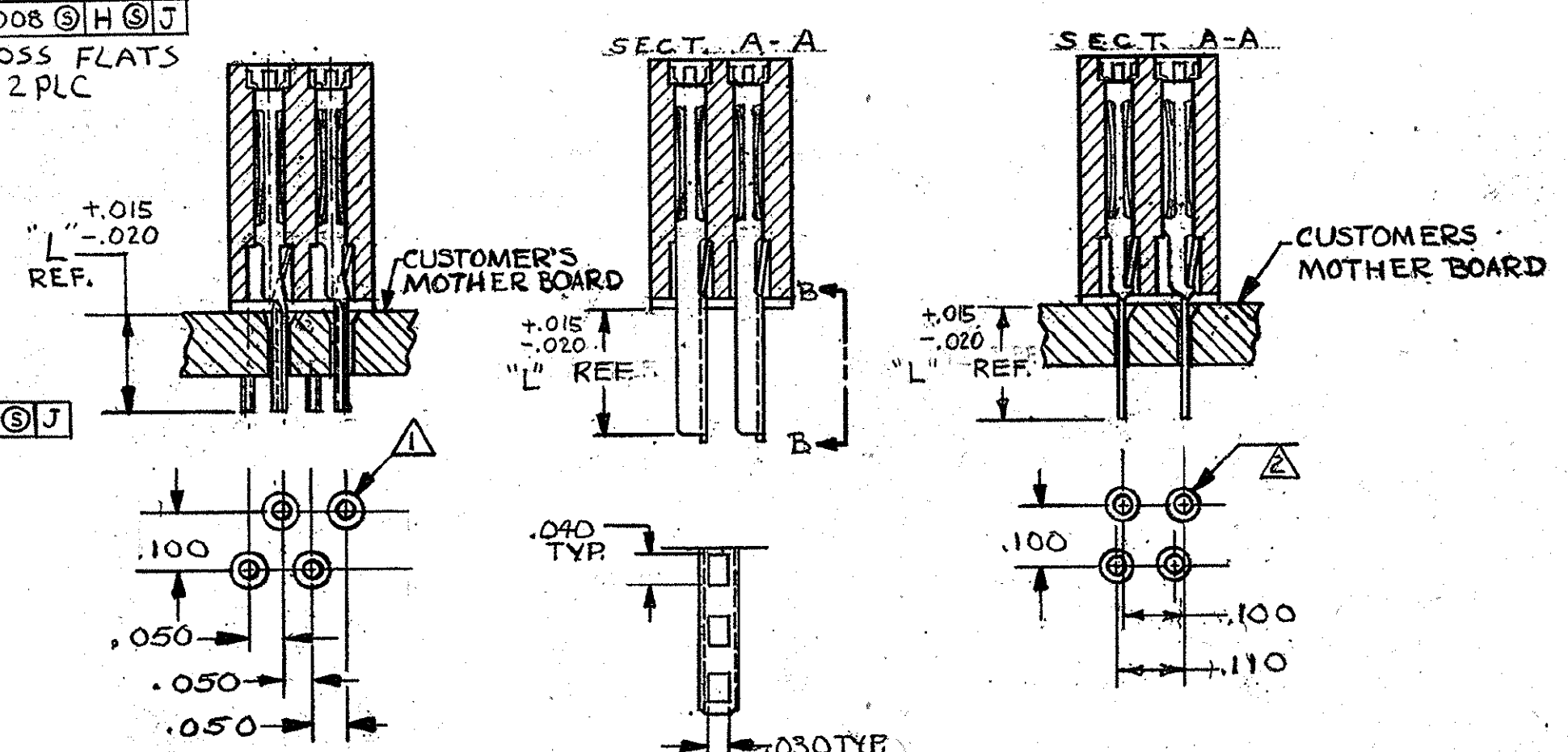
© COPYRIGHT 19 BY AMP INCORPORATED, HARRISBURG, PA. ALL INTERNATIONAL RIGHTS RESERVED. AMP INCORPORATED PRODUCTS COVERED BY U. S. AND FOREIGN PATENTS AND/OR PATENTS PENDING.

NO. (SEE CHART) AND LINES INDICATING EVERY 5 CAVITIES MARKED OR MOLDED

REVISIONS					
P	F	ZONE	LTR	DESCRIPTION	DATE APPROVED
B1				B1 REDRAWN W/O CHANGE 7271	3-81
				B2 REV PER ECN AB-0715	2-85 JRM
				B3 REV PER ECN AB-0535	db 3-13-85 EAM
				C REV PER DF-0089 DF-0117	11-88 JRM
				D REV PER DF-1545	N.F. 4-26-89 J.S.
				E REV PER 0600-4173-95 7A	1/97 JRM
				F REV PER 0600-5631-96 π	8-98 JRM
				G REV PER 0600-5859-96 π	9-98 JRM
				H REV PER 0600-6467-97 π	10-98 JRM
				J REV PER ECO-05-013228	11-05 PY



SECT. A-A



PART NO.	TYPE	NO. POS.	A	B	D	E	F	CAVITY IDENT. STAMPED	"L"	OBS
583584-1	I							25	.156	OBS
-2	II	50	3.355	3.065	24	2.400	2.475	26	.220	OBS
-3	III								.185	OBS
-4	I							30	.156	
-5	II	60	3.855	3.565	29	2.900	2.975	31	.220	OBS
-6	III							40	.185	OBS
-7	I							41	.156	OBS
-8	II	80	4.855	4.565	39	3.900	3.975	46	.220	OBS
-9	III							80	.185	
-0	I							45	.156	OBS
-1	II	90	5.355	5.065	44	4.400	4.475	51	.220	OBS
-2	III							90	.185	OBS
-3	I							50	.156	
-4	II	100	5.855	5.565	49	4.900	4.975	56	.220	OBS
-5	III							100	.185	OBS
-6	I							55	.156	OBS
-7	II	110	6.355	6.065	54	5.400	5.475	110	.220	OBS
-8	III							110	.185	OBS
-9	I	30	2.355	2.065	14	1.400	1.475	16	.156	
-0	I	40	2.855	2.565	19	1.900	1.975	21	.156	OBS
-1	I	70	4.355	4.065	34	3.400	3.475	36	.156	
-2	III	60	3.855	3.565	29	2.900	2.975	31	.325	
-3	III	90	5.355	5.065	44	4.400	4.475	46	.325	OBS
-4	II	30	2.355	2.065	14	1.400	1.475	16	.220	
2583584-5	III	110	6.355	6.065	54	5.400	5.475	56	.325	

FLOW SOLDER CONTACT FOR P.C. BOARD TYPE I  
 SOLDER OR WELD TYPE CONTACT TYPE II  
 SOLDER OR WRAIR TYPE CONTACT TYPE III

△ .022 MIN. DIA. HOLES IN MOTHER BOARD, 30° X .031 DEEP CHAMFER RECOMMENDED ON CONNECTOR SIDE OF BOARD.  
 △ .025 MIN. DIA. HOLES IN MOTHER BOARD 30° X .031 DEEP CHAMFER RECOMMENDED ON CONNECTOR SIDE OF BOARD.  
 △ FINISH: .000030 GOLD IN CONTACT AREA, .000100 TIN-LEAD ON TAILS, OVER .000030 NICKEL ENTIRE CONTACT  
 △ OBSOLETE PART NUMBER.

UNLESS OTHERWISE SPECIFIED DIMENSIONS ARE IN INCHES. TOLERANCES ON: DECIMALS ±.005 ANGLES ±.005	CONTRACT NO DR <i>A.M. SHARPE</i> 3-12-81 CHK <i>Dr Bushey</i> 3-13-81 APPD <i>R.W. Dunbar</i> 3/13/81 APPD <i>Elwood T. Parsons</i> 3-13-81	PART NO
MATERIAL HOUSING: DIALYL PHTHALATE CONTACT BeCu OR COPPER-NICKEL-SILICONE FINISH △ 3	NAME RECPT. ASSY, 1000 SERIES BOX, WITH MOUNTING HOLES, FLOW SOLDER, SOLDER EYELETS, AND 10X20 POSTED CONTACTS	
OTHER APPD	SIZE CODE IDENT NO DRAWING NO C 00779 583584	
	SCALE 4:1 SHEET 1 OF 2	

583584

© COPYRIGHT 19 BY AMP INCORPORATED, HARRISBURG, PA.  
ALL INTERNATIONAL RIGHTS RESERVED. AMP INCORPORATED PRODUCTS  
COVERED BY U. S. AND FOREIGN PATENTS AND/OR PATENTS PENDING.

REVISIONS			
P	F	ZONE	LTR
		DESCRIPTION	DATE
			APPROVED
3 [SEE SHEET 1]			

PART NO.	TYPE	NO POS.	A	B	D	E	F	L	CAVITY IDENT. STAMPED		
2-583584-6	III	30	2.355	2.065	14	1.400	1.475	.325	16	15 30	△
2- ↑ -7	III	100	5.855	5.565	49	4.900	4.975	.325	51	50 100	OBS
2- △ -8	III	110	6.355	6.065	54	5.400	5.475	.360	56	55 110	OBS
2- -9	II	70	4.355	4.065	34	3.400	3.475	.220	36	35 70	OBS
3- △ -0	II	40	2.855	2.565	19	1.900	1.975	.220	21	20 40	OBS
3- -1	III	40	2.855	2.565	19	1.900	1.975	.325	21	20 40	OBS
3- △ -2	III	50	3.355	3.065	24	2.400	2.475	.325	26	25 50	OBS
3- △ -3	III	70	4.355	4.065	34	3.400	3.475	.325	36	35 70	OBS
3- -4	III	80	4.855	4.565	39	3.900	3.975	.325	41	40 80	OBS
3- △ -5	I	110	6.355	6.065	54	5.400	5.475	.235	56	55 110	OBS
3- -6	I	60	3.855	3.565	29	2.900	2.975	.235	31	30 60	
3- -7	I	80	4.855	4.565	39	3.900	3.975	.235	41	40 80	
3- ↓ -8	I	30	2.355	2.065	14	1.400	1.475	.235	16	15 30	OBS
3-583584-9	I	70	4.355	4.065	34	3.400	3.475	.235	36	35 70	

UNLESS OTHERWISE SPECIFIED DIMENSIONS ARE IN INCHES. TOLERANCES ON: DECIMALS ± .005 ANGLES ±		CONTRACT NO 3-12-81	PART NO	
MATERIAL	DR	A.M. SHARPE	<b>AMP</b> AMP INCORPORATED Harrisburg, Pa. NAME RECPT. ASS'Y, 1000 SERIES BOX, WITH MOUNTING HOLES, FLOW SOLDER, SOLDER EYELETS, AND 10x20 POSTED CONTACTS	
	CHK	Dr. Bushey 3-13-81		
	APPD	Rodwin 3/13/81		
FINISH	APPD	Edward T. Parsons 3-13-81	SIZE	CODE IDENT NO
	DSGN APPD		C	00779
	OTHER APPD		DRAWING NO	583584
			SCALE	SHEET
			4:1	2 of 2

583584