

SAFETY ORGANIZATION(S).

THIS FILTER HAS BEEN FORMALLY RECOGNIZED, CERTIFIED OR APPROVED BY THE LISTED AGENCY, THEREFORE, ALL TEST/REQUIREMENTS SPECIFIED IN THE LATEST REVISION OF THE FOLLOWING AGENCY STANDARDS HAVE BEEN MET.

- UL RECOGNIZED UL 1283
- CSA CERTIFIED CSA 22.2, NO.0.0.4.8
- VDE APPROVED VDE 565-3
- SEV APPROVED SEV 1055/TP1977/5.1.1

OPERATING SPECIFICATIONS.

- LINE VOLTAGE/CURRENT, 6 AMP., 120/250 VAC
- LINE FREQUENCY, 50-60Hz
- MAX. CASE RISE @ RATED CURRENT, .25mA at 120V 60 Hz
- MAX. LEAKAGE CURRENT, EACH LINE TO GROUND, .48 mA at 250V 50 Hz
- OPERATING AMBIENT TEMP. RANGE, -10°C TO +40°C @ RATED CURRENT, I_r

IN AN AMBIENT, T_a, HIGHER THAN 40°C, THE MAXIMUM OPERATING CURRENT, I_o, IS AS FOLLOWS:

$$I_o = I_r \sqrt{\frac{85 - T_a}{45}}$$

RELIABILITY SPECIFICATIONS.

- STORAGE TEMPERATURE, -40°C TO +85°C
- HUMIDITY, 21 DAYS @ 40°C 95% RH
- CURRENT OVERLOAD TEST, 5 TIMES RATED CURRENT FOR 8 SECONDS

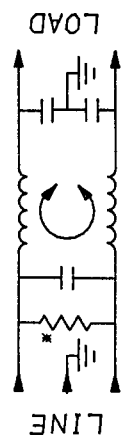
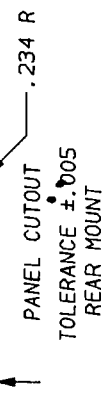
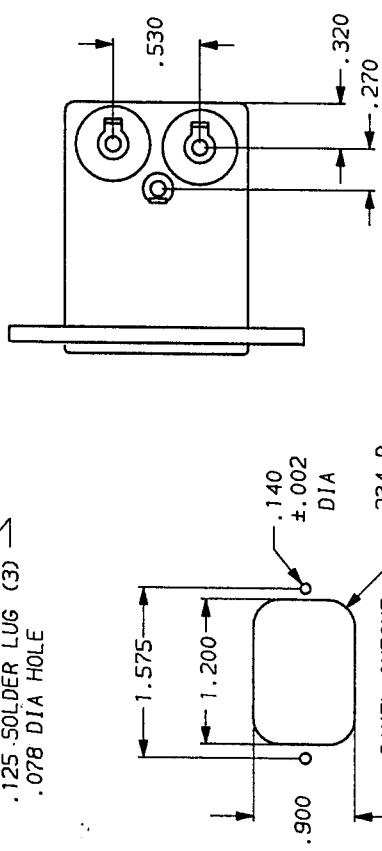
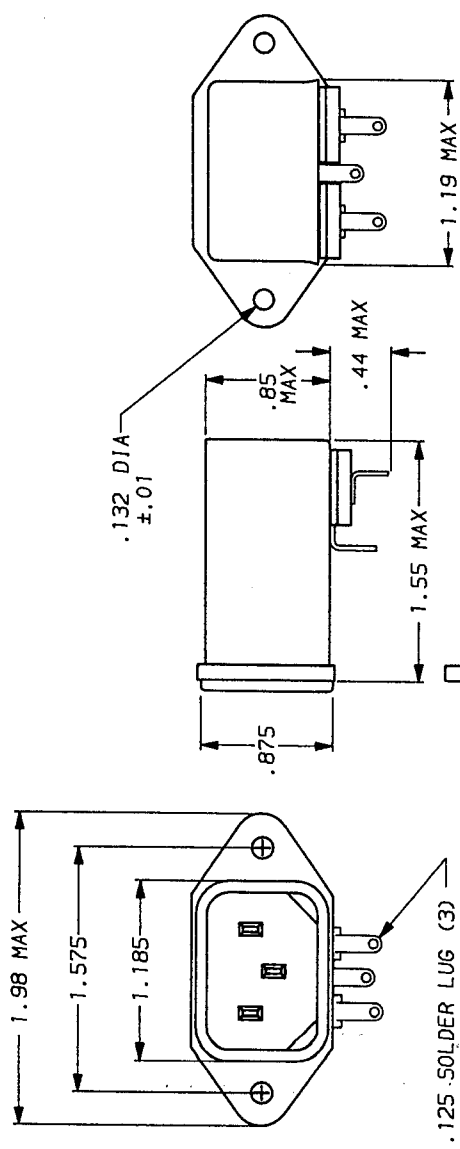
TEST SPECIFICATIONS.

- INDUCTANCE, .46 mH NOMINAL
- CAPACITANCE, MEASURED @ 1 KHz, 0.25 VAC MAX., 25°C ±1°C
- LINE TO GROUND, .005µF ±20%
- LINE TO LINE, .011µF ±20%
- DISCHARGE RESISTOR, 1.5 MΩ
- LINE/GROUND AND LINE/LINE INSULATION RESISTANCE 6000 MΩ (MIN) AT 100 VDC
- CV/O DISCHARGE RESISTOR 20°C AND 50% RH

RECOMMENDED RECEIVING INSPECTION HIPOUT.

- LINES TO GROUND, 2250 VDC FOR 1 MINUTE
- LINE TO LINE, 1450 VDC FOR 1 MINUTE

FILTER APPROVAL:
THE BEST WAY TO SELECT AND QUALIFY A FILTER IS FOR YOUR ENGINEERING TO TEST THE UNIT IN YOUR EQUIPMENT.



FREQUENCY MHZ	50n - 50n (MINI/MH) INSERTION LOSS				
	.15	.5	1.0	5.0	10
COMMON	9	20	25	41	45
dB				47	50

This document is proprietary to CORCOM INC. and is not to be reproduced nor used for manufacturing purposes except on CORCOM's order or prior written consent.

TOLERANCE EXCEPT AS NOTED
DECIMAL, .XXX .XX .X ANGLES ± 1°
ENGLISH, ±.015
METRIC, ±

MATERIAL: AS SUPPLIED

FINISH: AS SUPPLIED

TOLERANCE EXCEPT AS NOTED
DECIMAL, .XXX .XX .X ANGLES ± 1°
ENGLISH, ±.015
METRIC, ±

MATERIAL: AS SUPPLIED

FINISH: AS SUPPLIED

TOLERANCE EXCEPT AS NOTED
DECIMAL, .XXX .XX .X ANGLES ± 1°
ENGLISH, ±.015
METRIC, ±

MATERIAL: AS SUPPLIED

FINISH: AS SUPPLIED

TOLERANCE EXCEPT AS NOTED
DECIMAL, .XXX .XX .X ANGLES ± 1°
ENGLISH, ±.015
METRIC, ±

MATERIAL: AS SUPPLIED

FINISH: AS SUPPLIED

TOLERANCE EXCEPT AS NOTED
DECIMAL, .XXX .XX .X ANGLES ± 1°
ENGLISH, ±.015
METRIC, ±

MATERIAL: AS SUPPLIED

FINISH: AS SUPPLIED

DATE 9-12-89
SCALE NTS
DWS. NO. 6EF2.07
REV. 7

DATE 9-12-89
SCALE NTS
DWS. NO. 6EF2.07
REV. 7

DATE 9-12-89
SCALE NTS
DWS. NO. 6EF2.07
REV. 7

DATE 9-12-89
SCALE NTS
DWS. NO. 6EF2.07
REV. 7

DATE 9-12-89
SCALE NTS
DWS. NO. 6EF2.07
REV. 7

*RESISTOR ADDED TO PRODUCT BUILT AFTER 3-30-92 (9212).

TOLERANCE EXCEPT AS NOTED
DECIMAL, .XXX .XX .X ANGLES ± 1°
ENGLISH, ±.015
METRIC, ±

MATERIAL: AS SUPPLIED

FINISH: AS SUPPLIED

TOLERANCE EXCEPT AS NOTED
DECIMAL, .XXX .XX .X ANGLES ± 1°
ENGLISH, ±.015
METRIC, ±

MATERIAL: AS SUPPLIED

FINISH: AS SUPPLIED

TOLERANCE EXCEPT AS NOTED
DECIMAL, .XXX .XX .X ANGLES ± 1°
ENGLISH, ±.015
METRIC, ±

MATERIAL: AS SUPPLIED

FINISH: AS SUPPLIED

TOLERANCE EXCEPT AS NOTED
DECIMAL, .XXX .XX .X ANGLES ± 1°
ENGLISH, ±.015
METRIC, ±

MATERIAL: AS SUPPLIED

FINISH: AS SUPPLIED

TOLERANCE EXCEPT AS NOTED
DECIMAL, .XXX .XX .X ANGLES ± 1°
ENGLISH, ±.015
METRIC, ±

MATERIAL: AS SUPPLIED

FINISH: AS SUPPLIED