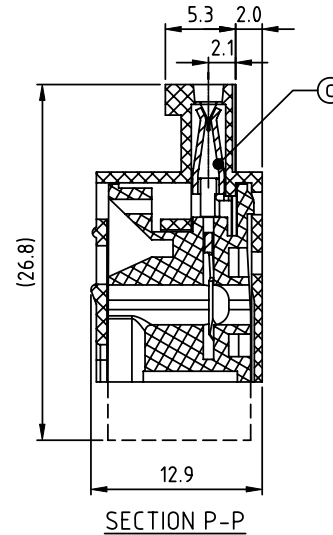
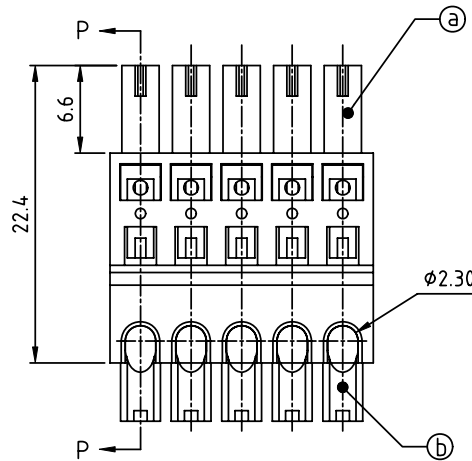
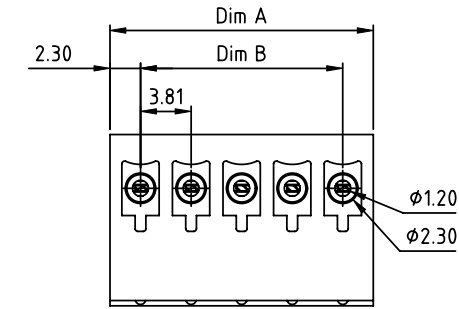


| | |
|----------------|---------|
| PRODUCT NUMBER | PITCH |
| HPxx30x000J0G | 3.81 mm |



Material:

- Item (a) Insulating body: Thermoplastic (UL94V-0)
- Item (b) Insulating lever: Thermoplastic (UL94V-0) Orange(RAL 2011/P)
- Item (c) Female contact: PhBz (CuSn) Tin plated

Electrical: cULus

- Voltage rating:300V
- Current rating:5A
- Wire range:
- Solid wire(AWG):20-22
- Stranded wire(AWG):20-22
- Withstanding Voltage:1.6KV
- Operating temperature:-40°C to +115°C
- Safety Approval: cULus

N=Number of poles
 Dim A=(N-1)x3.81+4.6
 Dim B=(N-1)x3.81

| Poles | Tolerance |
|---------|-----------|
| 2P-6P | ±0.15 |
| 7P-12P | ±0.20 |
| 13P-18P | ±0.25 |
| 19P-24P | ±0.30 |

PART NO.: HP xx 30 x 0 00J0 G

- | | | |
|--------------|---------------------|-----------------|
| | Color | RoHS compliant |
| Solid block | 0 Black (RAL9005) | (lead<4%) |
| No. of poles | 2 Red (RAL3001/D) | In copper Alloy |
| 02 2 poles | 3 Orange(RAL2011/P) | |
| 03 3 poles | 4 Yellow(RAL1018/A) | |
| ... | 5 Green(RAL6018/T) | |
| 24 24 poles | 6 Blue (RAL5015/A) | |
| | 8 Grey(RAL7035/D) | |
| | 9 White(RAL1102) | |
| | C Green(RAL6018/U) | |

| | | | | | |
|-------------|------------|-----------------------|-------------------------|---------------------------------------|--|
| mat'l. code | | surface ASME Y14.5 | tolerance ASME Y14.5 | projection | product family TERMINAL BLOCK |
| ltr | ecn no | dr | date | tolerances unless otherwise specified | title TERMINAL BLOCK |
| | | | | angles X°±1' | SPRING CLAMP, IDC TYPE, PLUGGABLE PLUG |
| | | | | scale | MM |
| dr | EVIN ZHONG | 051414 | | | dwg no HPxx30x000J0G |
| enr | EVIN ZHONG | 051414 | | | sheet 1 of 1 size A4 |
| chr | HANKE FENG | 051414 | | | |
| appd | SHI JUN | 051414 | | | type CUSTOMER Drawing |
| sheet index | revision | A | | | |
| | sheet | 1 | | | |