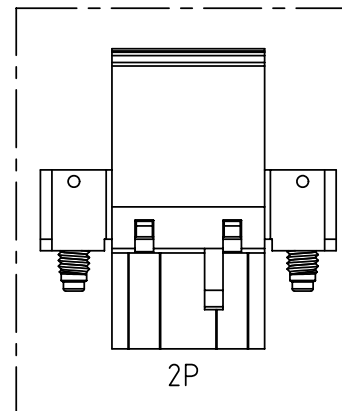
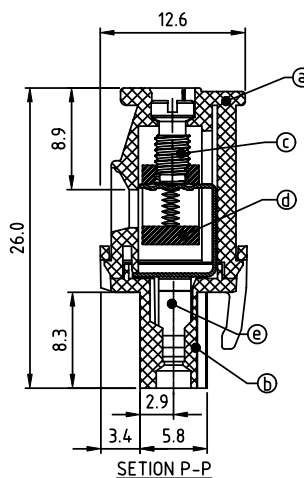
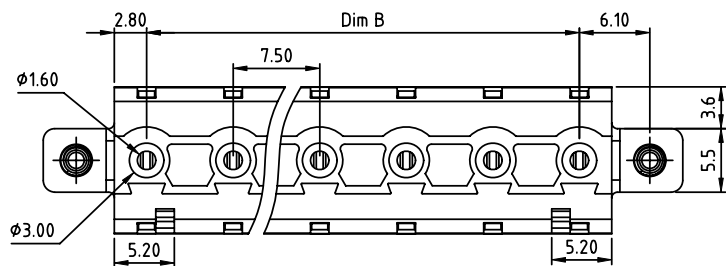
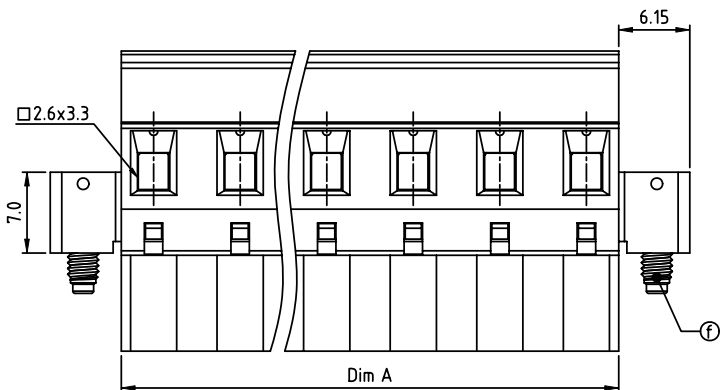
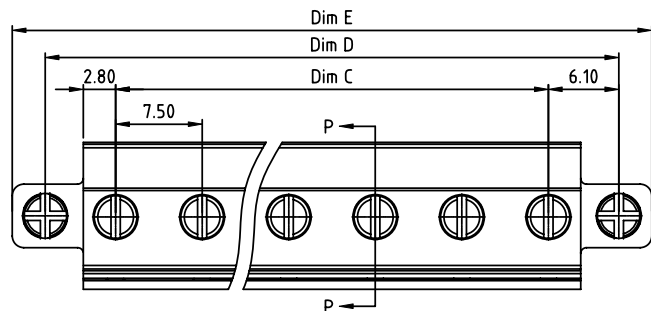


PRODUCT NUMBER	PITCH
TSxxA1xD00J0G	7.50 mm



Material

- Item ① Top body: Thermoplastic (UL94V-0)
 - Item ② Bottom body: Thermoplastic (UL94V-0)
 - Item ③ Terminal screw: Steel Zinc plating "-" slot type
 - Item ④ Clamp: Brass, Ni plated
 - Item ⑤ Female contact: PhBz (CuSn) Tin plated
 - Item ⑥ With flange screw: Steel Zinc plating M2.5 "+/-" combination type
- Electrical cULus/TUV
- Voltage rating: 300VAC/750VAC
 - Current rating: 15A/15A
 - Wire range: 0.2-2.5mm²
 - Solid wire(AWG): 12-24
 - Stranded wire(AWG): 12-24
 - Torque: 3.5 Lb-In 0.4Nm
 - Screw: M3
 - Wire strip length: 6-7mm
 - Withstanding Voltage: 1.6KV/6KV
 - Operating temperature: -40°C to +115°C
 - Safety Approval: cULus TUV

Dim A=(N-1)×7.5+5.6
 Dim B=(N-1)×7.5
 Dim C=(N-1)×7.5
 Dim D=(N-1)×7.5+12.2
 Dim E=(N-1)×7.5+17.9
 N=Number of poles

POLES	Tolerance
2p-6p	±0.20
7p-11p	±0.30
12p-16p	±0.40

PART NO.: TS xx A1 x D 00J0 G

Solid block	No. of poles	Color	RoHS compliant (lead<4%) In copper Alloy
0	2	Black (RAL9005)	
02	2	Red (RAL3001/D)	
03	3	Orange(RAL2011/P)	
4	4	Yellow(RAL1018/A)	
5	5	Green(RAL6018/T)	
6	6	Blue (RAL5015/A)	
8	8	Grey(RAL 7035/D)	
9	9	White(RAL1102)	
C	16	Green(RAL6018/U)	

mat'l. code		surface ASME Y14.5	tolerance ASME Y14.5	projection	product family
ltr ecn no dr date		tolerances unless otherwise specified		MM	TERMINAL BLOCK
angles		X.±0.5		scale	title
X°±1'		X.X±0.3			TERMINAL BLOCK
dr		X.XX±0.1			PLUGGABLE PLUG,HOOK ON BACK SIDE,WITH FLANGE
enr					dwg no
chr					sheet 1 of 1 size
appd					TSxxA1xD00J0G A4
sheet index		revision sheet		type CUSTOMER Drawing	
1		A			