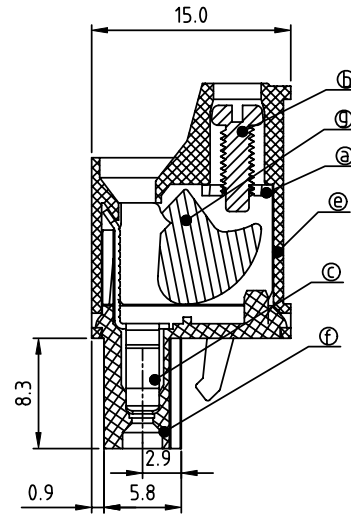
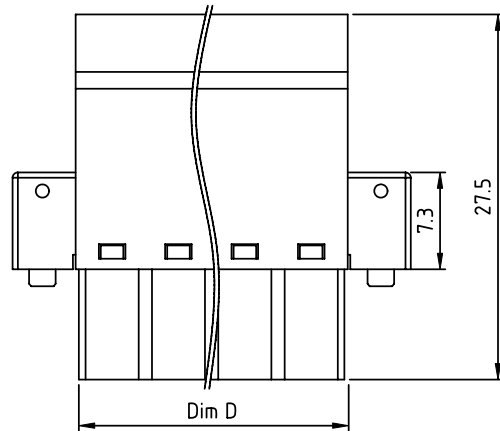
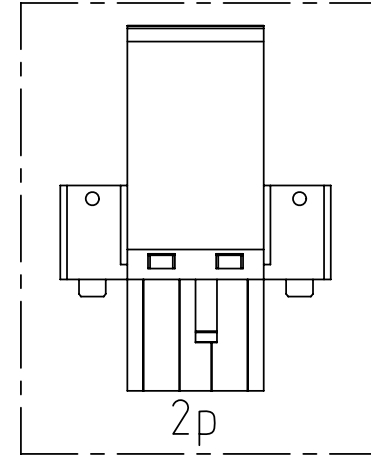
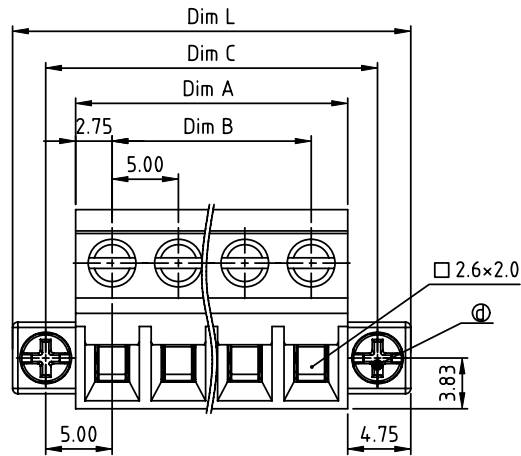


PRODUCT NUMBER	PITCH
VMxx75x200J0G	5.00 mm



Material:

- Item(a) Clamp: Steel zinc plated.
 - Item(b) Terminal screw: Steel Zinc plating "-" slot type
 - Item(c) Female contact: High conductivity copper Tin plated
 - Item(d) With flange screw: Steel zinc plated M2.5 "+/-" slot type
 - Item(e) Terminal (top body): Thermoplastic (UL94V-0)
 - Item(f) Terminal (bottom body): Thermoplastic (UL94V-0)
 - Item(g) Clampage: Steel Zinc plated
- Electrical cULus/TUV
- Voltage rating: 300VAC/300VAC
 - Current rating: 20A/20A
 - Wire range: 0.34-2.5mm²
 - Solid wire(AWG): 12-22
 - Stranded wire(AWG): 12-22
 - Torque: 3.5Lb-In / 0.4Nm
 - Screw: M2.5
 - Wire strip length: 6-7mm
 - Withstanding Voltage: 1.6KV/2.5KV
 - Operating temperature: -40°C to +115°C
 - Safety approval:

N=NUMBER OF POLES

Dim L=(N-1)×5.00+15.00
Dim A=(N-1)×5.00+5.5
Dim B=(N-1)×5.00
Dim C=(N-1)×5.00+10.0
Dim D=N×5.00

POLES	Tolerance
2P-6P	±0.20
7P-12P	±0.25
13P-18P	±0.30
19P-24P	±0.40

PART NO.: VM xx 75 x 2 00J0 G

Solid block	No. of poles	Color	RoHS compliant (lead<4%) In copper Alloy
0	2	Black (RAL9005)	
02	2 poles	Red (RAL3001/D)	
03	3 poles	Orange(RAL2011/P)	
04	3 poles	Yellow(RAL1018/A)	
...	...	Green(RAL6018/T)	
24	24 poles	Blue (RAL5015/A)	
08		Grey(RAL7035/D)	
09		White(RAL1102)	
C		Green(RAL6018/U)	

mat'l. code		surface ASME Y14.5	tolerance ASME Y14.5	projection 	product family TERMINAL BLOCK
ltr	ecn no	dr	date	tolerances unless otherwise specified	title TERMINAL BLOCK
				angles 	PLUGGABLE PLUG, WITH FLANGE
				X±1°	scale
dr	EVIN ZHONG	041914		MM	dwg no
engr	EVIN ZHONG	041914		FCI	sheet 1 of 1
chr	HANKE FENG	041914			size A4
appd	SHI JUN	041914			type CUSTOMER Drawing
sheet index	revision	A			
	sheet	1			