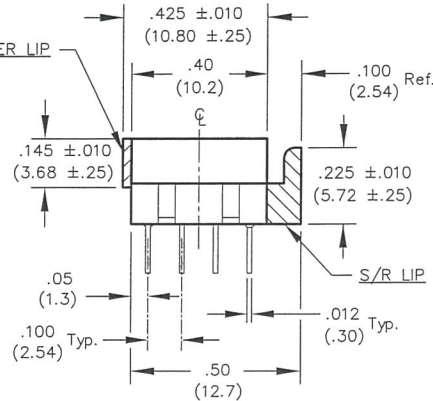
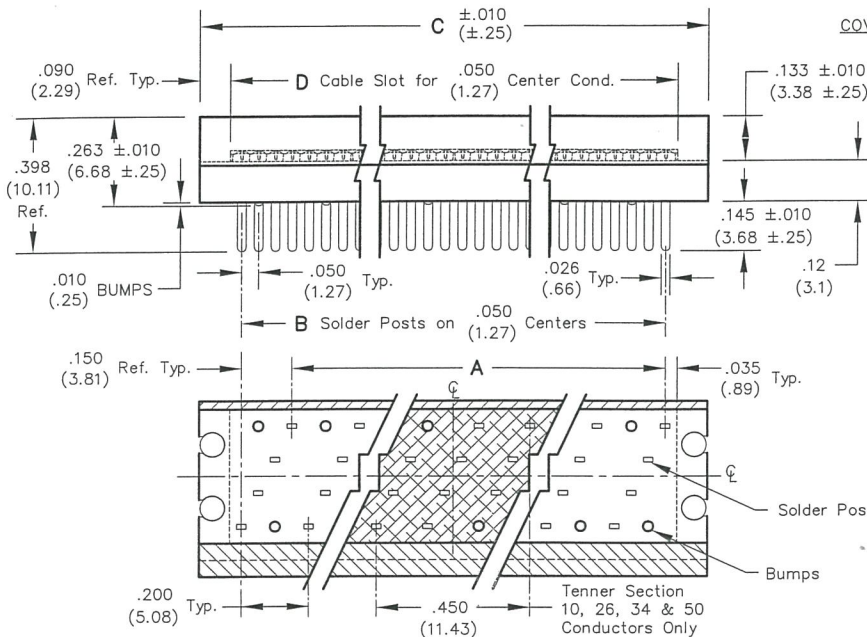


DIMENSIONS IN INCHES (MILLIMETERS)  
DO NOT SCALE DRAWING .....

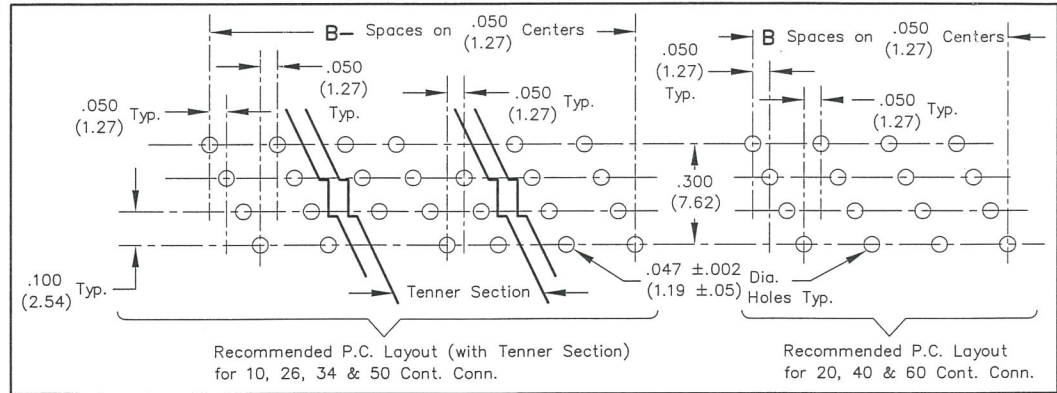
Dwg. No.

CWR-140-XX-0003



CONNECTOR DIMENSIONS				
No. Conts. -XX	A	B	C	D
10	—	.450 (11.43)	.700 (17.78)	.520 (13.21)
20	.800 (20.32)	.950 (24.13)	1.200 (30.48)	1.020 (25.91)
26	1.100 (27.94)	1.250 (31.75)	1.500 (38.10)	1.320 (33.53)
34	1.500 (38.10)	1.650 (41.91)	1.900 (48.26)	1.720 (43.69)
40	1.800 (45.72)	1.950 (49.53)	2.200 (55.88)	2.020 (51.31)
50	2.300 (58.42)	2.450 (62.23)	2.700 (68.58)	2.520 (64.01)
60	2.800 (71.12)	2.950 (74.93)	3.200 (81.28)	3.020 (76.71)

# CUSTOMER DRAWING



**MATERIALS:**

PLASTIC PARTS - UL94V-0 Thermoplastic (blue), flame retardant.  
CONTACTS - Phosphor Bronze, Std.  
CONTACT PLATING - Full Plating 100SnPb (min.)

**OPERATING STANDARDS:**

TEMPERATURE RATING - 120°C.  
CONTACT RATING - 1 Ampere.  
DIELECTRIC STRENGTH - Over 500 V.D.C. AT SEA LEVEL.  
CONDUCTORS ACCEPTED - 28-30 AWG solid or stranded.

B-FORMAT 2002 <b>REVISIONS</b> 0 RELEASED 2-07-2007 DWG C. G. G. 2/7/07 FEB 08 2 10 PM '07	<b>ATTENTION</b> THIS DRAWING AND ITS ATTACHMENTS, IF ANY, ARE PROPRIETARY TO CW INDUSTRIES AND DESCRIBE DESIGNS THAT ARE CONFIDENTIAL AND MUST NOT BE DISCLOSED UNLESS AUTHORIZED, IN WRITING, BY AN OFFICER OF CW INDUSTRIES.....		<b>CW INDUSTRIES</b> Southampton, Pa. 18966 <b>TOLERANCES UNLESS OTHERWISE SPECIFIED</b> 2 Place Decimal ±.010 METRIC 3 Place Decimal ±.005 1 Place Dec. ±.25mm Angles ..... ±1' 2 Place Dec. ±.13mm	Title: <b>P.C.B. CONNECTOR</b> <b>.145 SOLDER POSTS</b> <b>S/R &amp; COVER LIPS</b> Division: <b>SWITCH</b> Dwg. No. <b>CWR-140-XX-0003</b>
	Made for: CW IND.			
	Drawn by: DGW 2-07-2007			
	Checked by: G.G. 2-7-07 Approval: C. Hummer 2/7/07			

**MASTER**