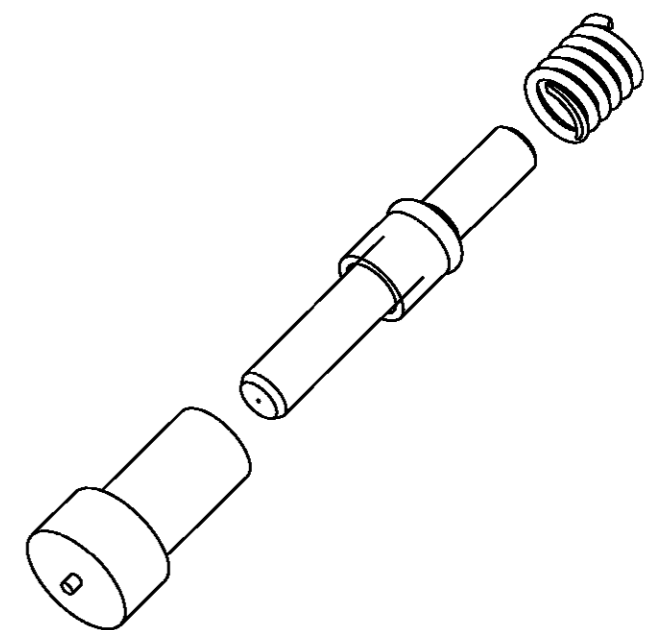
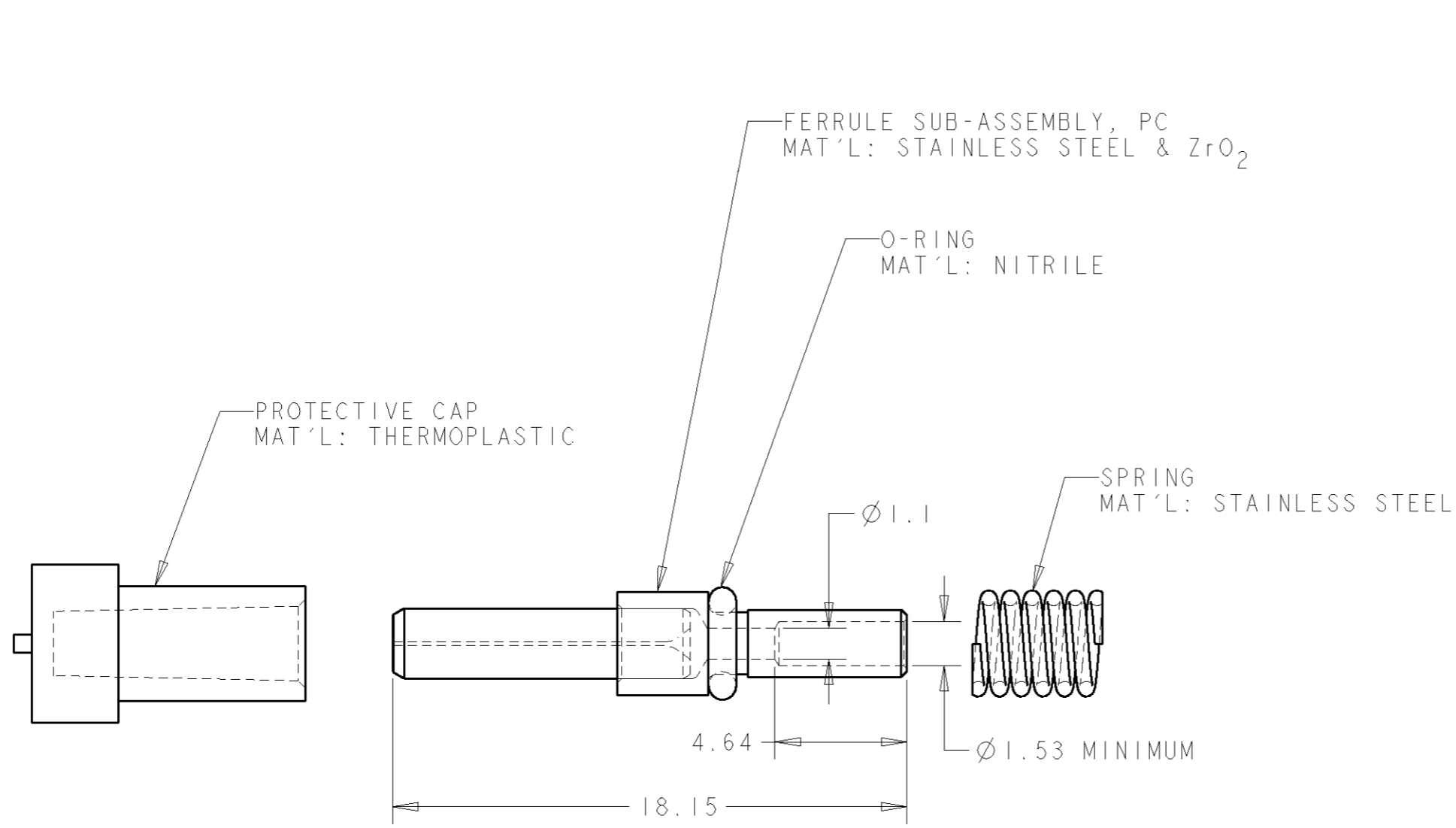


THIS DRAWING IS UNPUBLISHED. RELEASED FOR PUBLICATION 20
 © COPYRIGHT 20 BY TYCO ELECTRONICS CORPORATION. ALL RIGHTS RESERVED.

LOC	DIST	REVISIONS			
P	LTR	DESCRIPTION	DATE	DWN	APVD
	I	PPR 02-548	03FEB03	KG	DW
	A	RELEASE PER 0A00-0145-03	15APR03	KG	DW
	B	REVISE PER 0A00-0118-04	13APR04	KG	DW

1. ALL DIMENSIONS ARE FOR REFERENCE ONLY.



SCALE 3:1

125um	1588908-2
126um	1588908-1
FIBER HOLE DIAMETER	PART NUMBER

<small>THIS DRAWING IS A CONTROLLED DOCUMENT FOR TYCO ELECTRONICS CORPORATION IT IS SUBJECT TO CHANGE AND THE CONTROLLING ENGINEERING ORGANIZATION SHOULD BE CONTACTED FOR THE LATEST REVISION.</small>		DWN 31 JAN 2003 K. GLATFELTER CHK 31 JAN 2003 D. WERTMAN APVD 31 JAN 2003 D. WERTMAN		tyco Electronics Tyco Electronics Harrisburg, PA 17105-3608	
DIMENSIONS: mm 		TOLERANCES UNLESS OTHERWISE SPECIFIED: 0 PLC ± 1 PLC ± 2 PLC ± 3 PLC ± 4 PLC ± ANGLES ±		NAME FERRULE KIT, SEALED, SINGLEMODE, PRO BEAM JR.	
MATERIAL AS LISTED FINISH N/A		PRODUCT SPEC - APPLICATION SPEC - WEIGHT -		SIZE A3 CAGE CODE 00779 DRAWING NO C-1588908 RESTRICTED TO -	
CUSTOMER DRAWING				SCALE 5:1 SHEET 1 OF 1 REV B	