

4

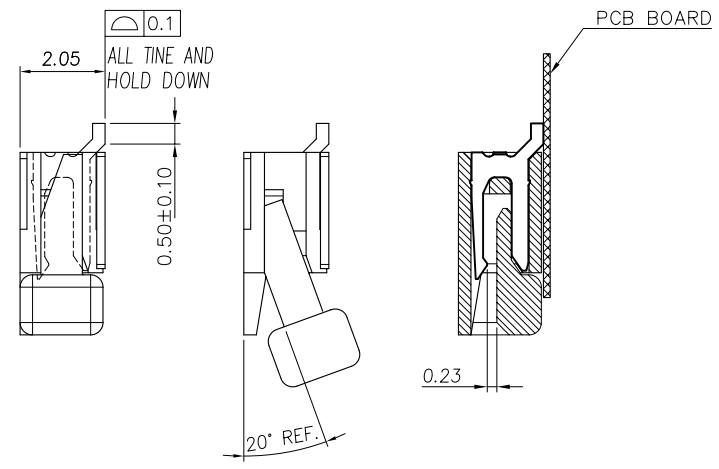
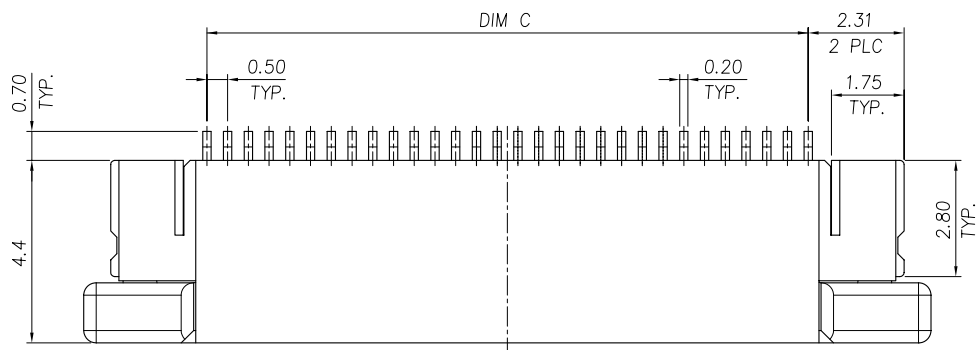
3

2

1

THIS DRAWING IS UNPUBLISHED. RELEASED FOR PUBLICATION AUG 2006
COPYRIGHT BY TYCO ELECTRONICS CORPORATION. ALL RIGHTS RESERVED.

LOC		DIST		REVISIONS			
P	LTR	DESCRIPTION		DATE	DWN	APVD	
DW	-	B	REVISED (ECR-11-013018)	08JUL11	JL	WK	



24.50	25.60	30.43	50	5-1734839-0
24.00	25.10	29.93	49	4-1734839-9
23.50	24.60	29.43	48	4-1734839-8
23.00	24.10	28.93	47	4-1734839-7
22.50	23.60	28.43	46	4-1734839-6
22.00	23.10	27.63	45	4-1734839-5
21.50	22.60	27.43	44	4-1734839-4
21.00	22.10	26.93	43	4-1734839-3
20.50	21.60	26.43	42	4-1734839-2
20.00	21.10	25.93	41	4-1734839-1
19.50	20.60	25.43	40	4-1734839-0
19.00	20.10	24.93	39	3-1734839-9
18.50	19.60	24.43	38	3-1734839-8
18.00	19.10	23.93	37	3-1734839-7
17.50	18.60	23.43	36	3-1734839-6
17.00	18.10	22.93	35	3-1734839-5
16.50	17.60	22.43	34	3-1734839-4
16.00	17.10	21.93	33	3-1734839-3
15.50	16.60	21.43	32	3-1734839-2
15.00	16.10	20.93	31	3-1734839-1
14.50	15.60	20.43	30	3-1734839-0
14.00	15.10	19.93	29	2-1734839-9
13.50	14.60	19.43	28	2-1734839-8
13.00	14.10	18.93	27	2-1734839-7
12.50	13.60	18.43	26	2-1734839-6
12.00	13.10	17.93	25	2-1734839-5
11.50	12.60	17.43	24	2-1734839-4
11.00	12.10	16.93	23	2-1734839-3
10.50	11.60	16.43	22	2-1734839-2
10.00	11.10	15.93	21	2-1734839-1
9.50	10.60	15.43	20	2-1734839-0
9.00	10.10	14.93	19	1-1734839-9
8.50	9.60	14.43	18	1-1734839-8
8.00	9.10	13.93	17	1-1734839-7
7.50	8.60	13.43	16	1-1734839-6
7.00	8.10	12.93	15	1-1734839-5
6.50	7.60	12.43	14	1-1734839-4
6.00	7.10	11.93	13	1-1734839-3
5.50	6.60	11.43	12	1-1734839-2
5.00	6.10	10.93	11	1-1734839-1
4.50	5.60	10.43	10	1-1734839-0
4.00	5.10	9.93	09	0-1734839-9
3.50	4.60	9.43	08	0-1734839-8
3.00	4.10	8.93	07	0-1734839-7
2.50	3.60	8.43	06	0-1734839-6
2.00	3.10	7.93	05	0-1734839-5
C	B	A	POS.	PART NUMBER
DIMENSIONS				

NOTE:
 1. MATERIAL:
 HOUSING: HIGH TEMP. THERMOPLASTIC, UL 94V-0, COLOR: NATURE.
 ACTUATOR: THERMOPLASTIC, UL 94 V-0, COLOR: IVORY.
 HOLD DOWN: PHOSPHOR BRONZE.
 CONTACT: PHOSPHOR BRONZE.
 2. FINISH:
 CONTACT: GOLD FLASH OVER ALL 50" MIN. NICKEL UNDERPLATED.
 HOLD DOWN: 100u" MIN. TIN PLATING ON SOLDER AREA, 50u" MIN. NICKEL UNDERPLATED ALL OVER.
 WITHOUT AMP LOGO FOR 12 POSITION UNDER.

THIS DRAWING IS A CONTROLLED DOCUMENT.		DWN J. LAI 15APR2009	STE TE Connectivity															
		CHK S. CHIEN 15APR2009																
DIMENSIONS: MM		APVD W. KODAMA 15APR2009	NAME															
TOLERANCES UNLESS OTHERWISE SPECIFIED:		PRODUCT SPEC 108-57523	FPC CONNECTOR, 0.5mm PITCH, TOP CONTACT, SMT TYPE.															
<table border="1"> <tr><td>0 PLC</td><td>± 0.1</td></tr> <tr><td>1 PLC</td><td>± 0.1</td></tr> <tr><td>2 PLC</td><td>± 0.1</td></tr> <tr><td>3 PLC</td><td>± 0.1</td></tr> <tr><td>4 PLC</td><td>± 0.1</td></tr> <tr><td>ANGLES</td><td>± 1°</td></tr> </table>		0 PLC	± 0.1	1 PLC	± 0.1	2 PLC	± 0.1	3 PLC	± 0.1	4 PLC	± 0.1	ANGLES	± 1°	QUALIFICATION TEST REPORT 501-57598	SIZE	CAGE CODE	DRAWING NO	RESTRICTED TO
0 PLC	± 0.1																	
1 PLC	± 0.1																	
2 PLC	± 0.1																	
3 PLC	± 0.1																	
4 PLC	± 0.1																	
ANGLES	± 1°																	
MATERIAL SEE NOTE		WEIGHT - GRAMS	A300779	C=1734839														
		CUSTOMER DRAWING	SCALE	SHEET	1 of 3	REV B												

LOC	DIST	REVISIONS			
P	LTR	DESCRIPTION	DATE	DWN	APVD
DW		SEE SHEET 1.			



RECOMMENDED PCB DIMENSIONS DIAGRAM
 TOLERANCE: ±0.05



RECOMMENDED FPC DIMENSIONS DIAGRAM

THIS DRAWING IS A CONTROLLED DOCUMENT.		DWN	STE TE Connectivity	
DIMENSIONS: MM		CHK		
TOLERANCES UNLESS OTHERWISE SPECIFIED:		APVD	NAME	
0 PLC	± -	PRODUCT SPEC	FPC CONNECTOR, 0.5mm PITCH, TOP CONTACT, SMT TYPE.	
1 PLC	± -	APPLICATION SPEC	SIZE	CAGE CODE
2 PLC	± -	WEIGHT	A3	00779
3 PLC	± -	CUSTOMER DRAWING	DRAWING NO	G=1734839
4 PLC	± -	SCALE	RESTRICTED TO	
ANGLES	± -	SHEET	2 of 3	
MATERIAL	FINISH	REV	B	

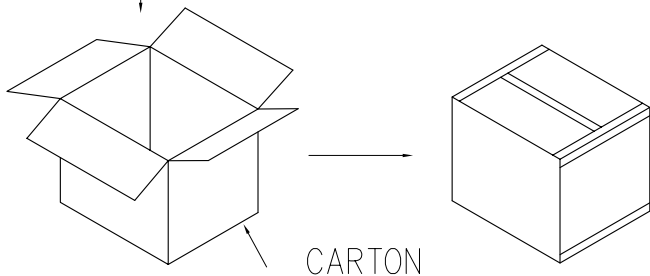
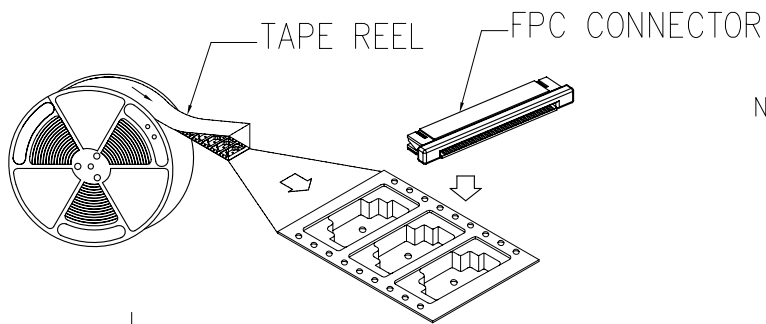
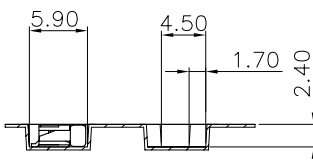
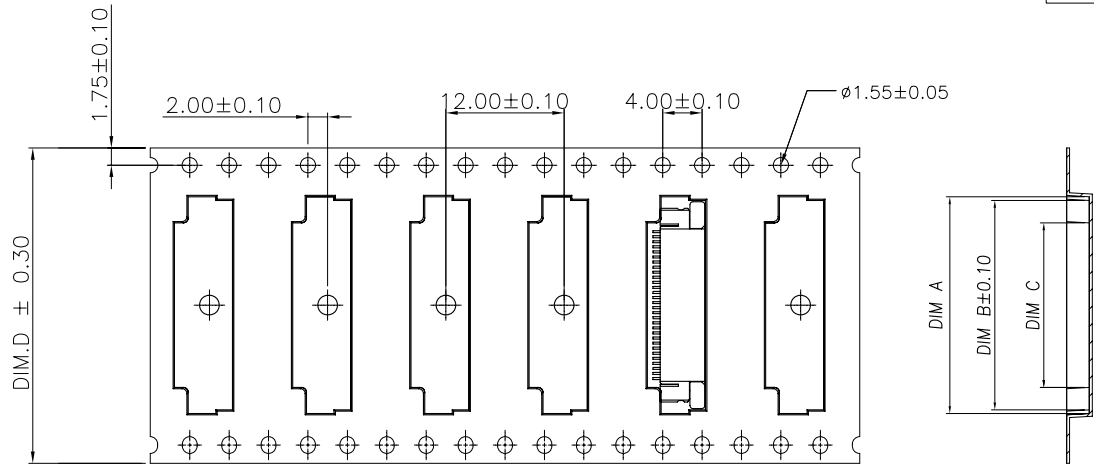
THIS DRAWING IS UNPUBLISHED. RELEASED FOR PUBLICATION AUG, 2006.

© COPYRIGHT BY TYCO ELECTRONICS CORPORATION. ALL RIGHTS RESERVED.

LOC DW DIST

REVISIONS

P	LTR	DESCRIPTION	DATE	DWN	APVD
		SEE SHEET 1.			



NOTE :

1. TAPE REEL:
DIAMETER: 13", THICKNESS : 0.35±0.05mm.
2. CARTON:
SIZE: 350mm(L)X 350mm(W)X 340mm(H).
3. WEIGHT:
NET WEIGHT: 7.5kg
GROSS WEIGHT: 13.4kg

APQ (PCS/CARTON)	PPQ (PCS/REEL)	DIMENSIONS				POS.	PART NUMBER
		D	C	B	A		
44.00	26.70	30.55	31.50	50	5	1734839-0	
44.00	26.20	30.05	31.00	49	4	1734839-9	
44.00	25.70	29.55	30.50	48	4	1734839-8	
44.00	25.20	29.05	30.00	47	4	1734839-7	
44.00	24.70	28.55	29.50	46	4	1734839-6	
44.00	24.20	28.05	29.00	45	4	1734839-5	
44.00	23.70	27.55	28.50	44	4	1734839-4	
44.00	23.20	27.05	28.00	43	4	1734839-3	
44.00	22.70	26.55	27.50	42	4	1734839-2	
44.00	22.20	26.05	27.00	41	4	1734839-1	
44.00	21.70	25.55	26.50	40	4	1734839-0	
44.00	21.20	25.05	26.00	39	3	1734839-9	
44.00	20.70	24.55	25.50	38	3	1734839-8	
44.00	20.20	24.05	25.00	37	3	1734839-7	
44.00	19.70	23.55	24.50	36	3	1734839-6	
44.00	19.20	23.05	24.00	35	3	1734839-5	
44.00	18.70	22.55	23.50	34	3	1734839-4	
44.00	18.20	22.05	23.00	33	3	1734839-3	
44.00	17.70	21.55	22.50	32	3	1734839-2	
44.00	17.20	21.05	22.00	31	3	1734839-1	
32.00	16.70	20.55	21.50	30	3	1734839-0	
32.00	16.20	20.05	21.00	29	2	1734839-9	
32.00	15.70	19.55	20.50	28	2	1734839-8	
32.00	15.20	19.05	20.00	27	2	1734839-7	
32.00	14.70	18.55	19.50	26	2	1734839-6	
32.00	14.20	18.05	19.00	25	2	1734839-5	
32.00	13.70	17.55	18.50	24	2	1734839-4	
32.00	13.20	17.05	18.00	23	2	1734839-3	
32.00	12.70	16.55	17.50	22	2	1734839-2	
32.00	12.20	16.05	17.00	21	2	1734839-1	
24.00	11.70	15.55	16.50	20	2	1734839-0	
24.00	11.20	15.05	16.00	19	1	1734839-9	
24.00	10.70	14.55	15.50	18	1	1734839-8	
24.00	10.20	14.05	15.00	17	1	1734839-7	
24.00	9.70	13.55	14.50	16	1	1734839-6	
24.00	9.20	13.05	14.00	15	1	1734839-5	
24.00	8.70	12.55	13.50	14	1	1734839-4	
24.00	8.20	12.05	13.00	13	1	1734839-3	
24.00	7.70	11.55	12.50	12	1	1734839-2	
24.00	7.20	11.05	12.00	11	1	1734839-1	
24.00	6.70	10.55	11.50	10	1	1734839-0	
24.00	6.20	10.05	11.00	09	0	1734839-9	
24.00	5.70	9.55	10.50	08	0	1734839-8	
24.00	5.20	9.05	10.00	07	0	1734839-7	
24.00	4.70	8.55	9.50	06	0	1734839-6	
24.00	4.20	8.05	9.00	05	0	1734839-5	

THIS DRAWING IS A CONTROLLED DOCUMENT.

DIMENSIONS: MM	TOLERANCES UNLESS OTHERWISE SPECIFIED:	DWN	CHK	APVD	NAME
0 PLC ± -	1 PLC ± -	PRODUCT SPEC	APVD	NAME	FPC CONNECTOR, 0.5mm PITCH, TOP CONTACT, SMT TYPE.
2 PLC ± -	3 PLC ± -	APPLICATION SPEC	APVD	NAME	
4 PLC ± -	ANGLES ± -	WEIGHT	APVD	NAME	SIZE CAGE CODE DRAWING NO RESTRICTED TO
MATERIAL	FINISH	CUSTOMER DRAWING	SCALE	SHEET 3 OF 3	REV B

STE TE Connectivity

A3 00779 C=1734839