

POSITIONS/ CONTACTS	A		B	
	INCH	MM	INCH	MM
02/04	0.079	2.00	0.181	4.60
03/06	0.157	4.00	0.260	6.60
04/08	0.236	6.00	0.339	8.60
05/10	0.315	8.00	0.417	10.60
06/12	0.394	10.00	0.496	12.60
07/14	0.472	12.00	0.575	14.60
08/16	0.551	14.00	0.654	16.60
09/18	0.630	16.00	0.732	18.60
10/20	0.709	18.00	0.811	20.60
11/22	0.787	20.00	0.890	22.60
12/24	0.866	22.00	0.969	24.60
13/26	0.945	24.00	1.047	26.60
14/28	1.024	26.00	1.126	28.60
15/30	1.102	28.00	1.205	30.60
16/32	1.181	30.00	1.283	32.60
17/34	1.260	32.00	1.362	34.60
18/36	1.339	34.00	1.441	36.60
19/38	1.417	36.00	1.520	38.60
20/40	1.496	38.00	1.598	40.60
21/42	1.575	40.00	1.677	42.60
22/44	1.654	42.00	1.756	44.60
23/46	1.732	44.00	1.835	46.60
24/48	1.811	46.00	1.913	48.60
25/50	1.890	48.00	1.992	50.60
26/52	1.969	50.00	2.071	52.60
27/54	2.047	52.00	2.150	54.60
28/56	2.126	54.00	2.228	56.60
29/58	2.205	56.00	2.307	58.60
30/60	2.283	58.00	2.386	60.60
31/62	2.362	60.00	2.465	62.60
32/64	2.441	62.00	2.543	64.60
33/66	2.520	64.00	2.622	66.60
34/68	2.598	66.00	2.701	68.60
35/70	2.677	68.00	2.780	70.60
36/72	2.756	70.00	2.858	72.60
37/74	2.835	72.00	2.937	74.60
38/76	2.913	74.00	3.016	76.60
39/78	2.992	76.00	3.094	78.60
40/80	3.071	78.00	3.173	80.60

PART NUMBER CODING

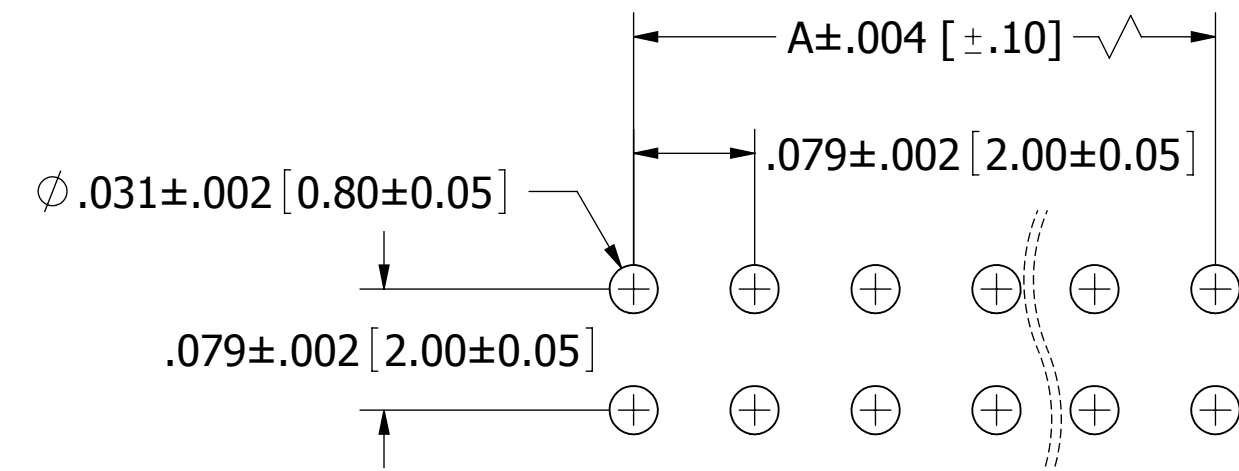
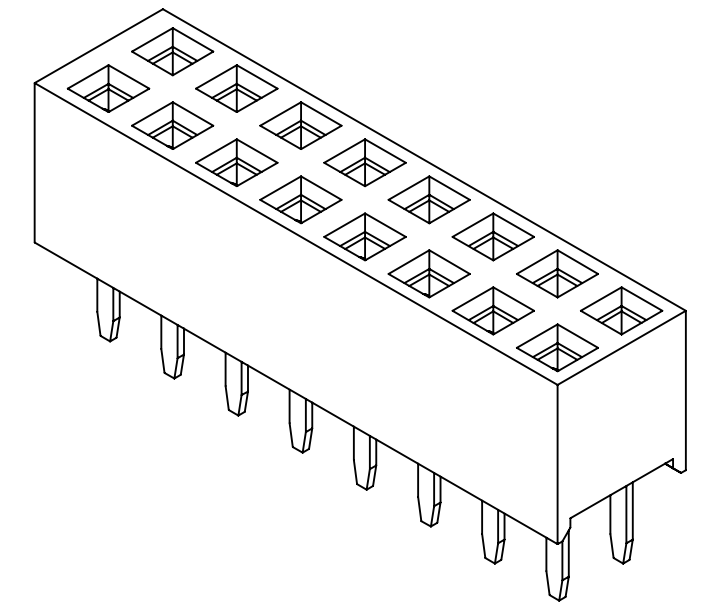
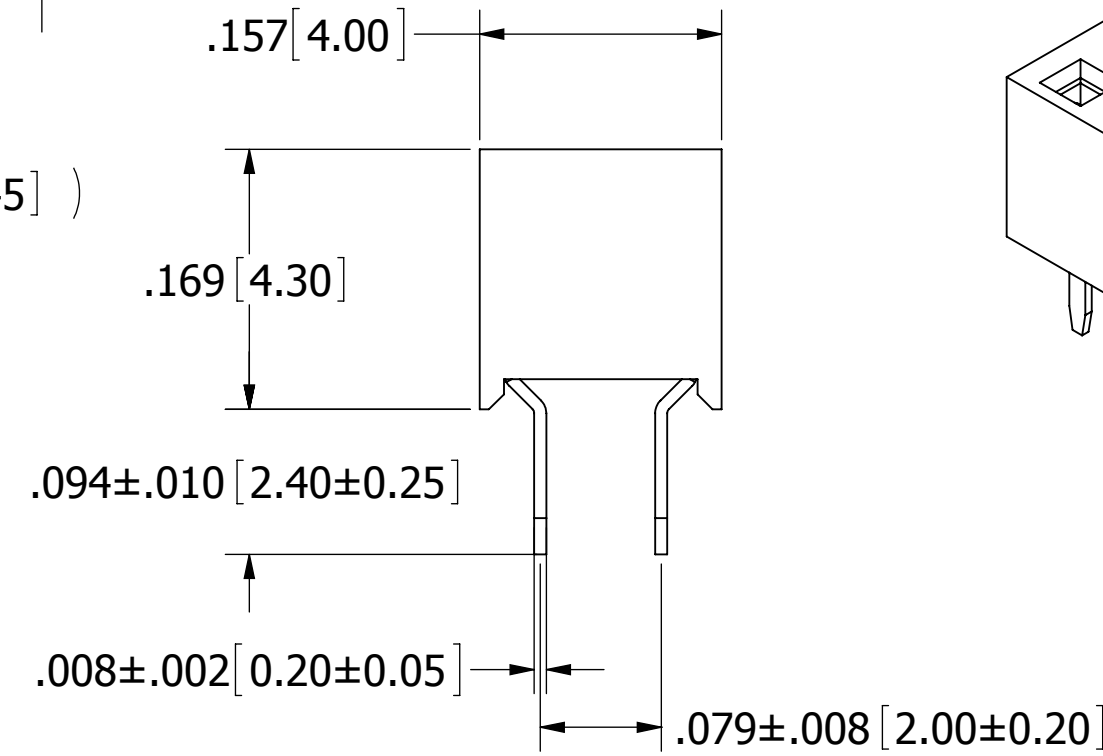
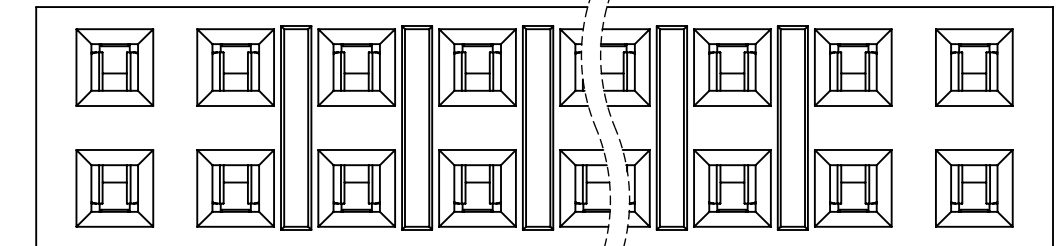
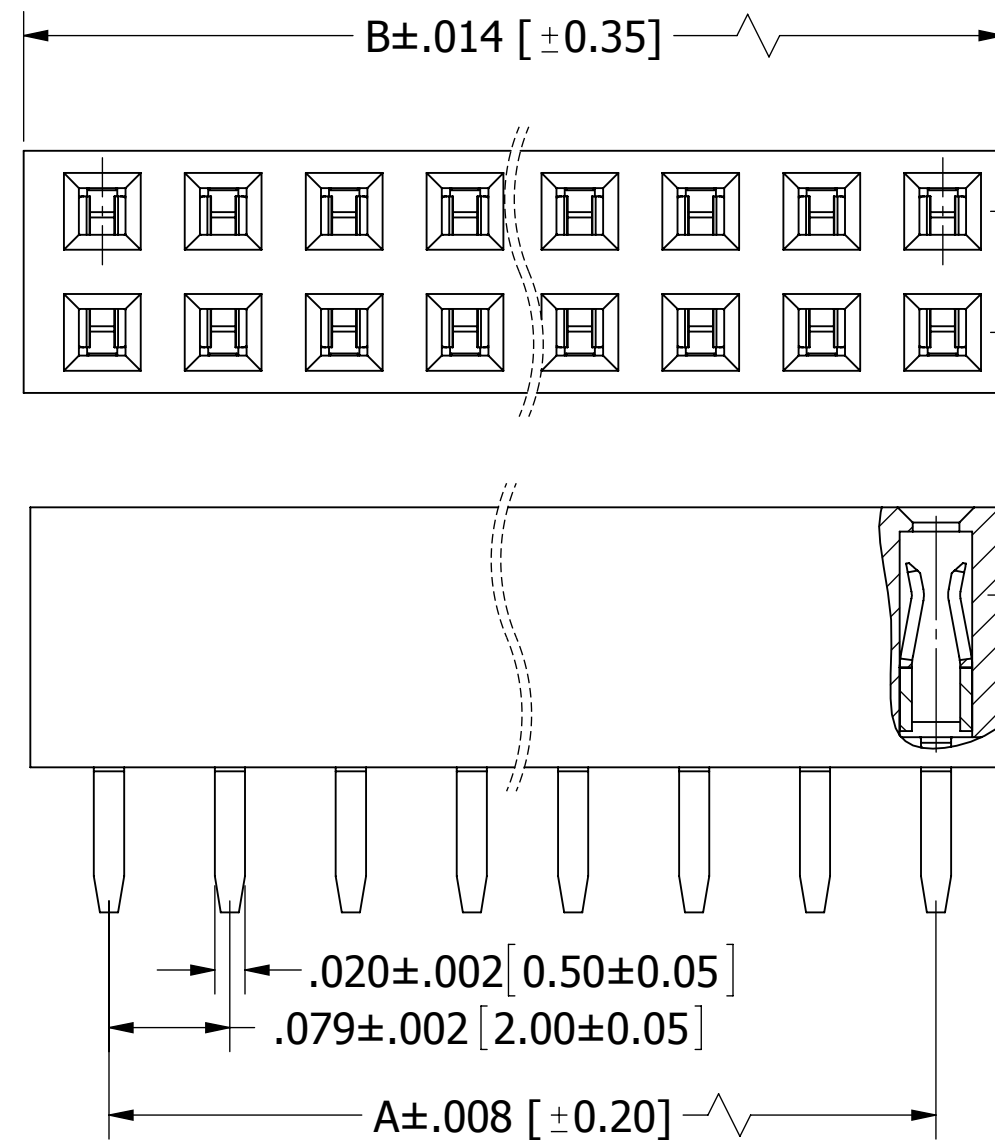
PPN_2AFCN-RC

NUMBER OF POSITIONS
(CONTACTS PER ROW, 02 THRU 40)

INSULATOR MATERIAL

N = NYLON 6T
 OPERATING TEMPERATURE: -40° C TO +105° C
 PROCESSING TEMP.: WAVE/MANUAL SOLDERING ONLY
 L = LCP
 OPERATING TEMPERATURE: -40° C TO +125° C
 PROCESSING TEMP.: 260° C MAX FOR 10 SEC
 P=OBSOLETE, REPLACE WITH N

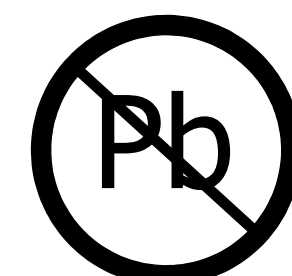
REVISIONS				
REV.	ECO. NO	DESCRIPTION	DATE	BY
E	2515	REMOVE CONTACT DEPTH TOLERANCE & ADD "REF.", ADD NOTE 10 MATING PARTS.	01/16/2012	LH
F	3120	UPDATE PROCESSING TEMPERATURE FOR NYLON 6T MATERIAL AND CURRENT RATING TO 2 AMPS (WAS 1 AMP), ADD VIEW FOR POSITIONS 27 TO 40	04/15/2015	LH
H	3563	ADD LCP MATERIAL OPTION, UPDATE WARPING, TAIL LENGTH AND ROW SPACING OF TOLERANCES AND UPDATE VIEW FOR 25 TO 40 POSITIONS AND UPDATE DIM 'B' ON DIMENSION TABLE(ADD 0.1mm TO OVERALL BODY LENGTH)	11/22/2016	LH



02-20, 0.20mm MAX.
 21-30, 0.30mm MAX.
 31-40, 0.40mm MAX.

NOTES:

- INSULATOR MATERIAL: SEE PART NUMBER CODING, UL 94V-0, COLOR: BLACK.
- CONTACT MATERIAL: PHOSPHOR BRONZE.
- CONTACT PLATING: .000030"-.000050" MIN NICKEL UNDERPLATE, GOLD FLASH OVERALL.
- CURRENT RATING: 2 AMPS.
- VOLTAGE RATING: 150 V AC/DC.
- INSULATOR RESISTANCE: 5,000 MEGOHMS MIN.
- CONTACT RESISTANCE: 20 MILLIOHMS MAX.
- DIELECTRIC WITHSTANDING: 500 VAC.
- OPERATING TEMPERATURE: SEE PART NUMBER CODING
- PROCESSING TEMP.: SEE PART NUMBER CODING
- MATES WITH SULLINS .079 [2.00] CONTACT CENTER MALE HEADER SERIES. (.020 [0.50] SQUARE POSTS)



UNLESS OTHERWISE SPECIFIED: DIMENSIONS ARE IN INCHES [MM]	DRAWN	DATE	NAME	
		01/10/2009	JH	
TOLERANCES:	<small>THE INFORMATION HEREIN CONTAINS PROPRIETARY INFORMATION OF SULLINS ELECTRONICS AND IS NOT TO BE REPRODUCED, USED OR DISCLOSED TO OTHERS FOR ANY PURPOSE EXCEPT AS SPECIFICALLY AUTHORIZED IN WRITING BY AN OFFICER OF SULLINS ELECTRONICS.</small>			TITLE
ANGULAR: ±				HEADER, FEMALE 2mm CC, 2 ROWS, ST
DECIMALS				PART NUMBER
.X=± .012 [30]				_PPN_2AFCN-RC
.XX=± .008 [20]	SIZE	CAGE CODE	DWG. NO.	REV
.XXX=± .006 [15]	C	54453	10497	H
	SCALE: 8:1	SHEET 1 OF 1		