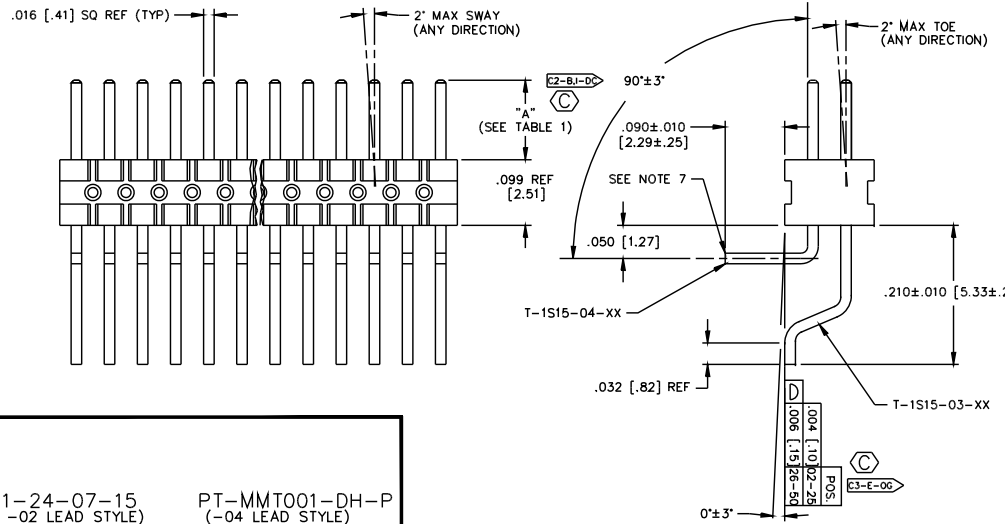
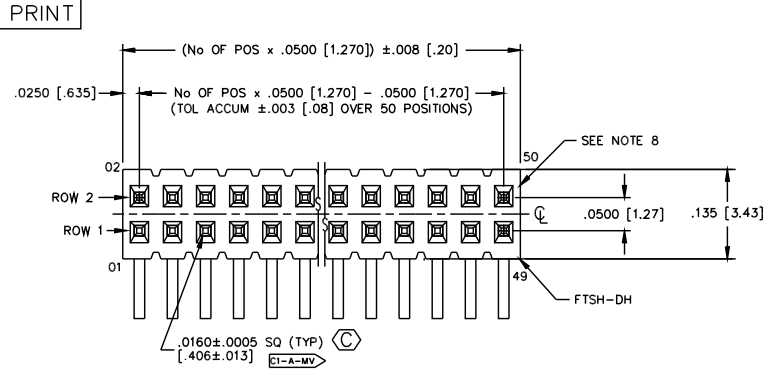


DO NOT SCALE FROM THIS PRINT



FTSH-1XX-XX-XX-MT-XX

No OF POS PER ROW
 -02 THRU -50 (SEE NOTE 2 & 5)

LEAD STYLE
 -01: "A" = .120 [3.05]
 -02: "A" = .075 [1.91]
 -04: "A" = .150 [3.81]
 (SEE TABLE 1 FOR TERMINAL USAGE)

PACKAGING
 -TR: TAPE AND REEL
 DOUBLE MIXED TECHNOLOGY

PLATING [R]
 -L: 10μm LIGHT SELECTIVE GOLD IN CONTACT AREA, MATTE TIN ON TAIL
 -F: 3μm FLASH SELECTIVE GOLD IN CONTACT AREA, MATTE TIN ON TAIL
 -S: 30μm SELECTIVE GOLD IN CONTACT AREA, MATTE TIN ON TAIL
 -H: 30μm HEAVY GOLD IN CONTACT AREA, 3μm GOLD ON TAIL
 -SM: 30μm HEAVY SELECTIVE GOLD IN CONTACT AREA, MATTE TIN ON TAIL
 -LM: 10μm LIGHT SELECTIVE GOLD IN CONTACT AREA, MATTE TIN ON TAIL
 -FM: 3μm FLASH SELECTIVE GOLD IN CONTACT AREA, MATTE TIN ON TAIL
 -TM: MATTE TIN ON CONTACT AND TAIL

| CRITICAL DIMENSION INSPECTION TABLE | |
|-------------------------------------|-----------------------|
| ASSEMBLY OPERATION | IN-PROCESS INSPECTION |
| FILL T-1S15 | C1, C2 |

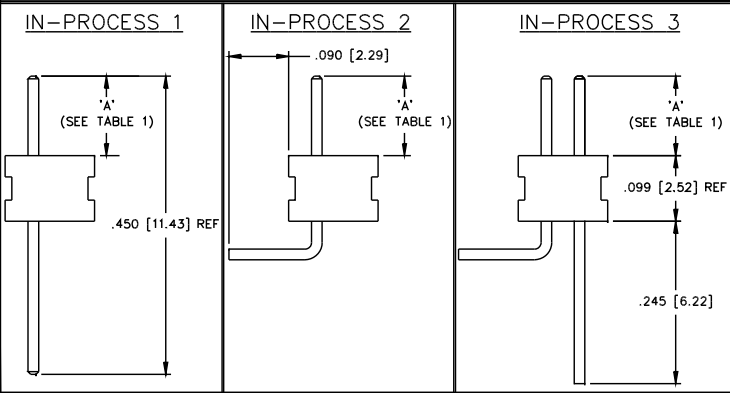
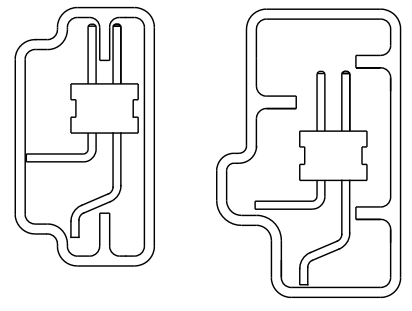
- NOTES:
- TERMINALS TO BE SHEARED TO MEET DIMENSION SPECIFICATION.
 - PARTS MAY BE CUT TO POSITION.
 - MINIMUM PUSHOUT FORCE: .5 LB.
 - MAXIMUM TOP / BOTTOM BOW: .004 [.10].
 - SEE PACKAGING TABLE 2.
 - Ⓢ REPRESENTS A CRITICAL DIMENSION
 - .002 MAX BURR ALLOWED.
 - .015 MAX CUT FLASH ALLOWED.
 - PINS 2 TO BE FLUSH TO .003 ABOVE OR BELOW LINE MADE BY BODY.

| TABLE 1 | | | |
|------------|--------------------------|--------------|--------------|
| LEAD STYLE | "A" | ROW 1 | ROW 2 |
| -01 | .120 ± .005 [3.05 ± .13] | T-1S15-04-XX | T-1S15-03-XX |
| -02 | .075 ± .005 [1.91 ± .13] | T-1S15-04-XX | T-1S15-03-XX |
| -04 | .150 ± .005 [3.81 ± .13] | T-1S15-04-XX | T-1S15-03-XX |

| TABLE 2 | | |
|------------|--------------|----------------|
| LEAD STYLE | NO. OF POS | PACKAGING |
| -01 | -02 THRU -04 | TAPE & REEL |
| -01 | -05 THRU -50 | PT-1-24-07-15 |
| -02 | -02 THRU -05 | TAPE & REEL |
| -02 | -06 THRU -50 | PT-1-24-07-15 |
| -04 | -02 THRU -03 | TAPE & REEL |
| -04 | -04 THRU -50 | PT-MMT001-DH-P |

PT-1-24-07-15 (-01, -02 LEAD STYLE)
 TUBE TO USE (2) TP-03

PT-MMT001-DH-P (-04 LEAD STYLE)
 TUBE TO USE (2) TP-09



PROPRIETARY NOTE
 THIS DOCUMENT CONTAINS INFORMATION CONFIDENTIAL AND PROPRIETARY TO SAMTEC INC. AND SHALL NOT BE REPRODUCED OR TRANSFERRED TO OTHER DOCUMENTS OR DISCLOSED TO OTHERS OR USED FOR ANY PURPOSE OTHER THAN THAT FOR WHICH IT WAS OBTAINED WITHOUT THE EXPRESSED WRITTEN CONSENT OF SAMTEC INC.

MISC#10 FTSH-1XX-XX-XX-MT

samtec

520 PARK EAST BLVD. NEW ALBANY, INDIANA 47150
 PHONE (812) 944-6735 P.O. BOX 1147
 CODE 55322

MADE BY: PURVIS 07-29-96 FTSH-1XX-XX-XX-MT-XX
 SHEET 1 OF 1