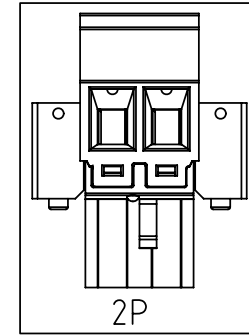
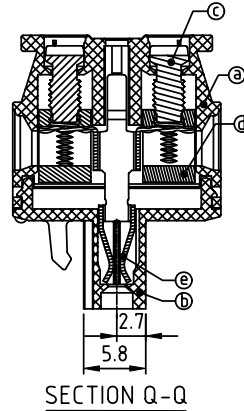
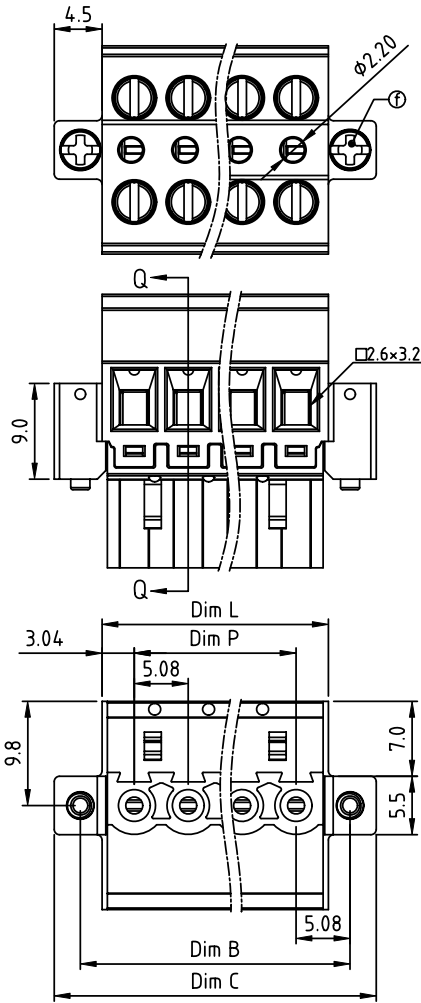
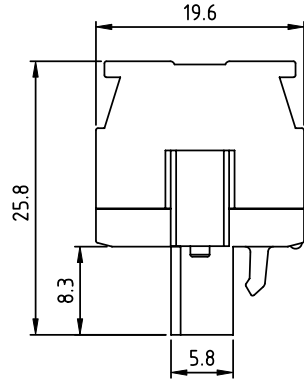


PRODUCT NUMBER	PITCH
K5xx51x100J0G	5.08 mm



Material

- Item ① Terminal top body: Thermoplastic (UL94V-0)
- Item ② Terminal bottom body: Thermoplastic (UL94V-0)
- Item ③ Terminal screw: Steel Zinc plating "-" slot type
- Item ④ Clamp: Brass, Ni plated
- Item ⑤ Female contact: PhBz, Tin plated
- Item ⑥ With flange screw: Steel M2.5 "+/-" combination type Zinc plating

Electrical cULus

- Voltage rating: 300VAC
- Current rating: 12A
- Solid wire: 12-24 AWG
- Stranded wire: 12-24AWG
- Torque: 4.3Lb-In
- Screw: M3
- Wire strip length: 6-7mm
- Withstanding Voltage: 1.6KV
- Operating temperature: -40°C to +115°C
- Safety Approval:

N = Number of poles
 Dim L = N x 5.08 + 1.0
 Dim P = (N - 1) x 5.08
 Dim B = (N - 1) x 5.08 + 10.16
 Dim C = (N - 1) x 5.08 + 15.08

Poles	Tolerance
2p-6p	±0.15
7p-12p	±0.25
13p-18p	±0.35
19p-24p	±0.40

PART NO.: K5 xx 51 x 1 00J0 G

Solid block	No. of poles	Color	RoHS compliant (lead < 4%) In copper Alloy
0	2	Black (RAL9005)	
2	3	Red (RAL3001/D)	
02	3	Orange (RAL2011/P)	
03	4	Yellow (RAL1018/A)	
...	5	Green (RAL6018/T)	
...	6	Blue (RAL5015/A)	
24	8	Grey (RAL7035/D)	
	9	White (RAL1102)	
	5	Green (RAL6018/U)	

mat'l. code		surface ASME Y14.5 ✓	tolerance ASME Y14.5	projection MM	product family TERMINAL BLOCK
ltr	ecn no	dr	date	tolerances unless otherwise specified	title TERMINAL BLOCK
				angles X°±1°	PLUGGABLE PLUG, WITH FLANGE
				scale	dwg no K5xx51x100J0G
				dr EVIN ZHONG 051214	sheet 1 of 1
				enr EVIN ZHONG 051214	size A4
				chr HANKE FENG 051214	type CUSTOMER Drawing
				appd SHI JUN 051214	
sheet index	revision sheet	A	1		