

PRODUCT NUMBER
89883-YXXXXLF

- ROHS COMPATIBLE, SEE NOTE 5.
- OPTIONAL LETTER
- H: HIGH TEMPERATURE PRODUCT.
- NUMBER OF POSITIONS PER ROW: 02 TO 65.
- PLATING CODE
- 3= 0.76µm GOLD ON CONTACT AREA.
- 2µm MIN MATTE TIN ON TAIL.
- 4= 2µm MIN MATTE TIN FULL PLATED
- 1.27µm Ni MIN UNDERPLATING

NOTES:

- 1 - HOUSING MAT'L: THERMOPLASTIC GLASS FILLED FLAME RETARDANT PER UL 94 V-0.
LOW TEMPERATURE: COLOR BLUE.
HIGH TEMPERATURE: COLOR GREY.
- 2 - TERMINAL MATERIAL: PHOSPHOR BRONZE.
- 3 - 2 UP TO 4 POSITIONS PRODUCT PACKED IN PLASTIC BOX.
- 5 UP TO 65 POSITIONS PRODUCT PACKED IN TUBE.
- 4 - TO DETERMINE DIMENSIONS:
N = NUMBER OF POSITIONS PER ROW
EXAMPLE: 8 POS: (Nx2.54)-0.08=20.24 mm.
- 5 - ROHS COMPATIBLE PRODUCT SPECIFICATIONS

d - PLATING:

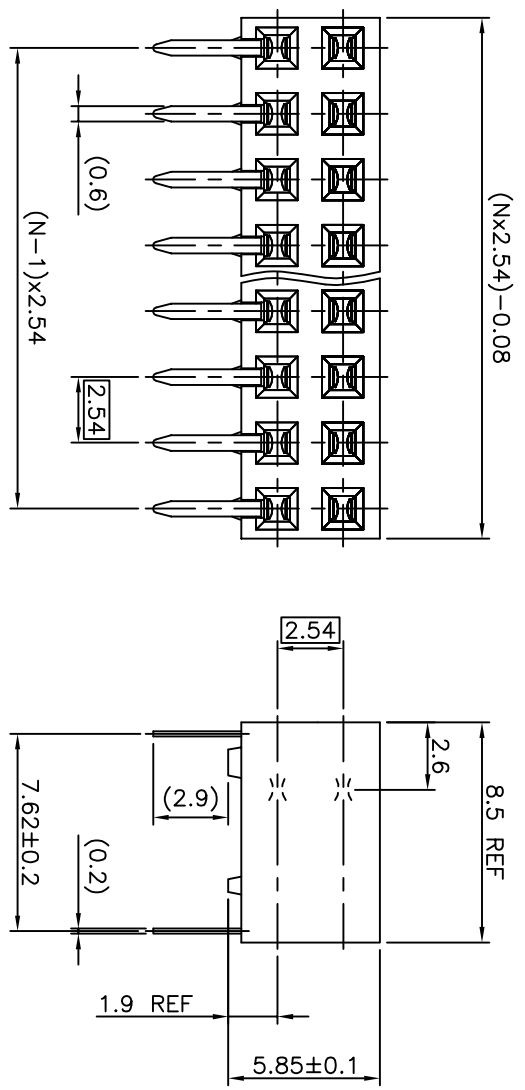
- "LF" MEANS THE PRODUCT IS LEAD-FREE, 2µm MINIMUM MATTE TIN OVER 1.27µm MINIMUM NICKEL UNDERPLATE.

b - MANUFACTURING PROCESS COMPATIBILITY

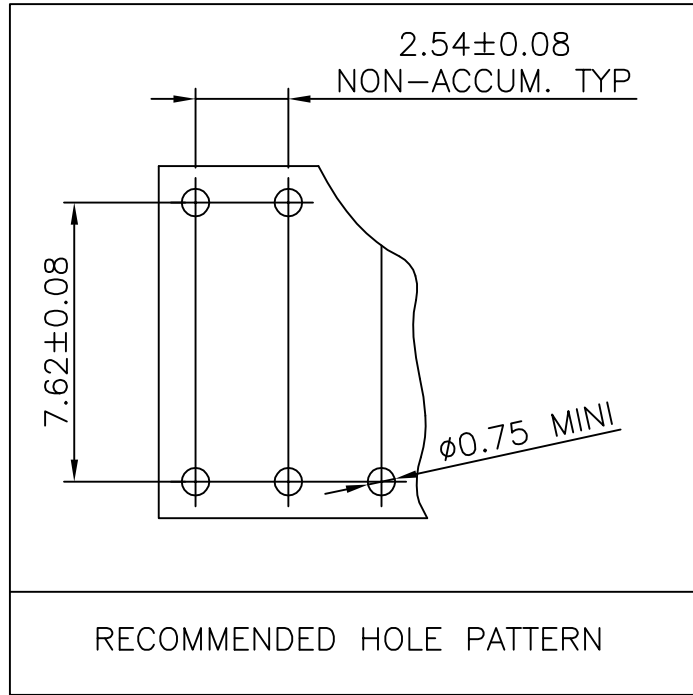
- THE HOUSING WILL WITHSTAND EXPOSURE TO 260°C ±5°C SOLDER BATH TEMPERATURE FOR 5 SECONDS IN A WAVE SOLDER APPLICATION WITH A 1.6mm MIN THICK CIRCUIT BOARD.

c - LABELING:

- MEETS PACKAGING SPECS AS PER GS-14-920
- LEGAL STATEMENT: SEE GS-47-0004



mat'l. code		surface		tolerance		projection		product family	
SEE NOTES		ISO 1302	ISO 406	ISO 1101	ISO 406	ISO 1101	mm	DUBOX	
tr	ecn no	dr	date	tolerances unless otherwise specified	linear	±0.3	mm	title	product family
C	F60362	PNZ	96.05.20					BtB RECEIPT.	DUBOX
D	F60461	PNZ	96.06.20					HORIZ DR TMT	
E	F70454	PNZ	97.06.23	#2					
F	F10110	GC0	01.01.16	dr	D LEGRAND	04.09.28	scale 5:1		
G	F04-0347	DLE	04.09.28	engr	P NIZZI	04.09.28			
H	F06-0204	DLE	06.06.21	chr	D LEGRAND	04.09.28			
J	B-19123	LMU	14.10.21	qppd	P NZ	04.09.28			
sheet	revision	J	B					dwg no	sheet 1 of 2
index	sheet	1	2					89883	A3
								type	CUSTOMER
								size	Drawing



mat'l. code SEE SHEET 1				surface ISO 1302 <input checked="" type="checkbox"/>		tolerance ISO 406 ISO 1101		projection 		product family DUBOX			
ltr	ecn no	dr	date	tolerances unless otherwise specified		±0.3		mm 		title BtB RECEPT. HORIZ DR TMT			
A	F04-0347	DLE	04.09.28	angles linear			scale 5:1		dwg no		sheet 2 of 2	size	
B	F06-0204	DLE	06.06.21		±2'				89883		A4		
				dr	D LEGRAND	04.09.28			type		CUSTOMER	Drawing	
				enr	P NIZZI	04.09.28							
				chr	D LE	04.09.28							
				appd	P NZ	04.09.28							
sheet index	revision sheet												