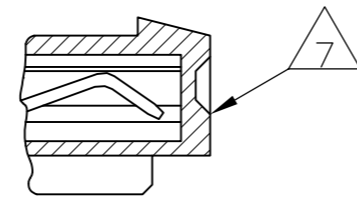
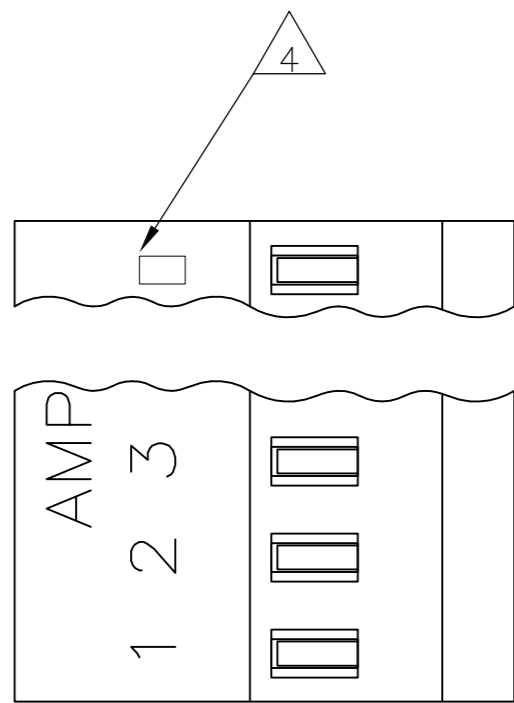
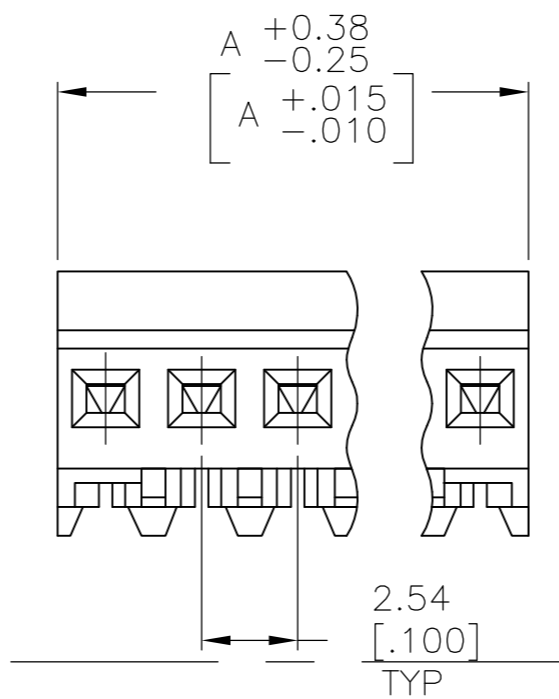
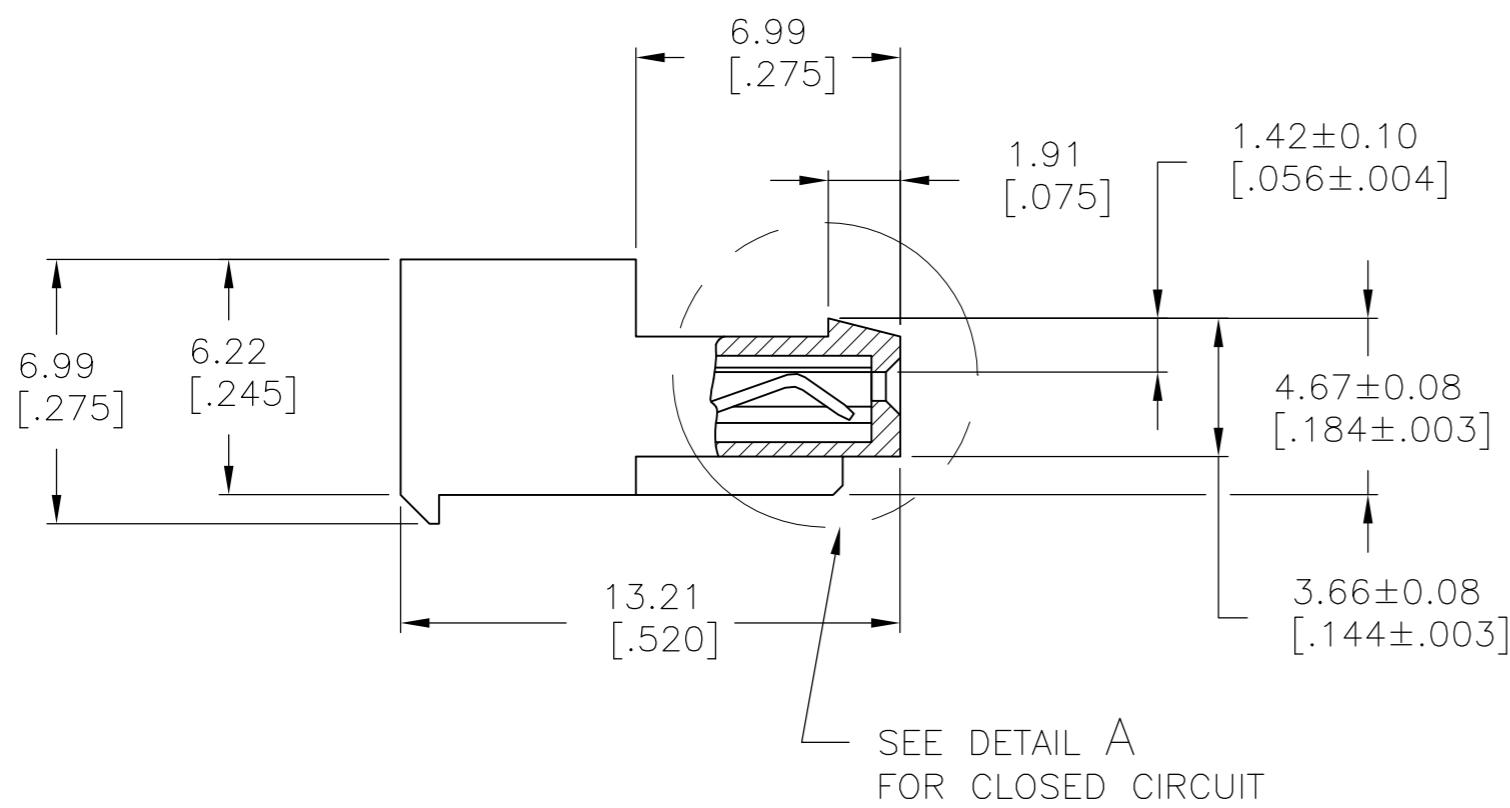


THIS DRAWING IS UNPUBLISHED. RELEASED FOR PUBLICATION
 © COPYRIGHT BY TYCO ELECTRONICS CORPORATION. ALL RIGHTS RESERVED.

LOC		DIST		REVISIONS			
P	LTR	DESCRIPTION		DATE	DWN	APVD	
E		REVISED PER ECO-07-003755		28FEB07	KW	DB	
E1		REVISED PER ECO-09-023313		09OCT09	KK	AEG	



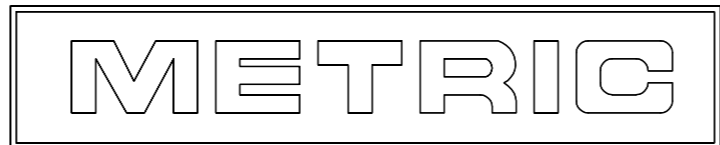
DETAIL A



- 1 MATERIAL: CONNECTOR - NYLON UL94V-2 (RED).
CONTACTS - 0.30[.012] THICK COPPER ALLOY
MATTE WHISKER MITIGATED TIN
0.00203[.000080] MIN THICKNESS
OVER NICKEL UNDERPLATE OR BRIGHT
TIN-LEAD 93/7 0.00203[.000080] MIN
THICKNESS. SEE FINISH COLUMN FOR
PLATING TYPE.
- 2. CONTACTS ACCEPT 22 AWG WIRE WITH 1.52[.060] MAX
INSULATION DIAMETER.
- 3. CONTACTS MUST ACCEPT 0.64±0.03[.025±.001] SQUARE
POST AND REMAIN LOCKED IN POSITION.
- 4 IDENTIFICATION NUMBER FOR LAST CIRCUIT MAY
NOT APPEAR ON ALL ASSEMBLIES.
- 5. DIMENSIONS IN BRACKETS ARE IN INCHES.
- 6. HOUSING FEATURES ARE: CLOSED END WITH LOCKING
RAMP.
- 7 DETAIL A SHOWS CIRCUIT NO.5 MOLDED CLOSED.
- 8 OBSOLETE PARTS: OBSOLETE CIS STREAMLINING PER D.RENAUD/D.SINISI

FINISH	DIM A	NO OF CIRCUITS	PART NO
TIN	25.40 [1.000]	10	4-644426-0
	20.32 [.800]	8	3-644426-8
	17.78 [.700]	7	3-644426-7
TIN-LEAD	25.40 [1.000]	10	1-644426-0
	20.32 [.800]	8	644426-8
	17.78 [.700]	7	644426-7

- 8 SUPERCEDED
- 8 SUPERCEDED
- 8 SUPERCEDED



THIS DRAWING IS A CONTROLLED DOCUMENT.

DIMENSIONS: mm [INCHES]	TOLERANCES UNLESS OTHERWISE SPECIFIED:	DWN B. LEWIS 22 APR 91	CHK R. SWING 22 APR 91	APVD G. MILLER 22 APR 91	NAME Tyco Electronics Corporation Harrisburg, Pa 17105-3608
0 PLC ± -	1 PLC ± -	2 PLC ± -	3 PLC ± -	4 PLC ± -	PRODUCT SPEC 108-1050
ANGLES ± -	FINISH	MATERIAL	WEIGHT	SCALE A2 00779	DRAWING NO C=644426
CUSTOMER DRAWING				SCALE 5:1	SHEET 1 OF 1

RESTRICTED TO
REV E1