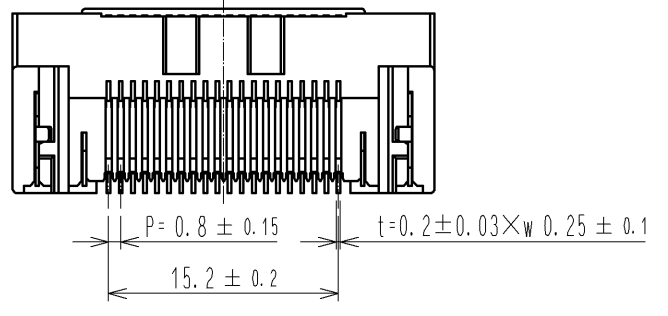
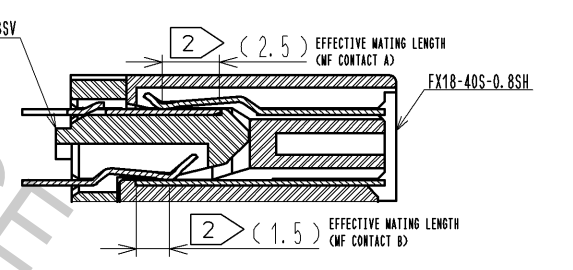
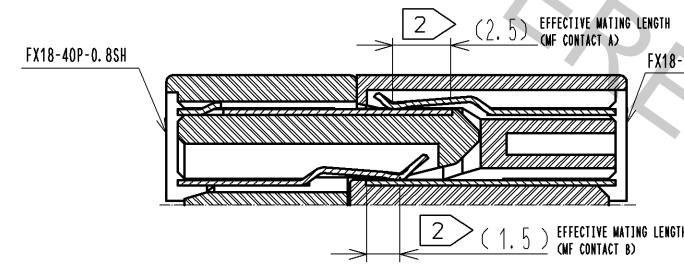
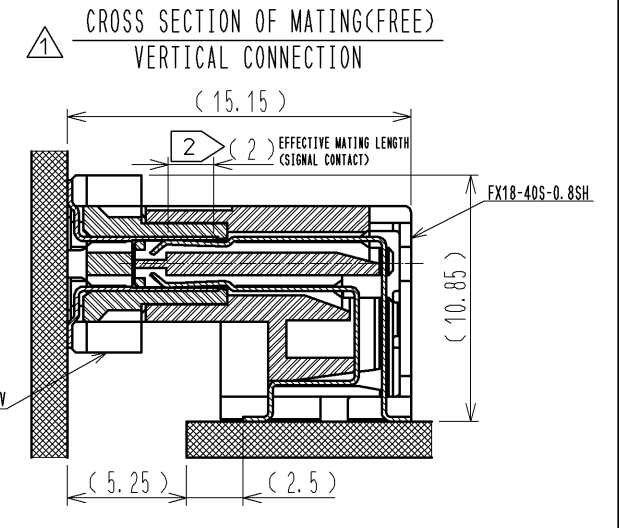
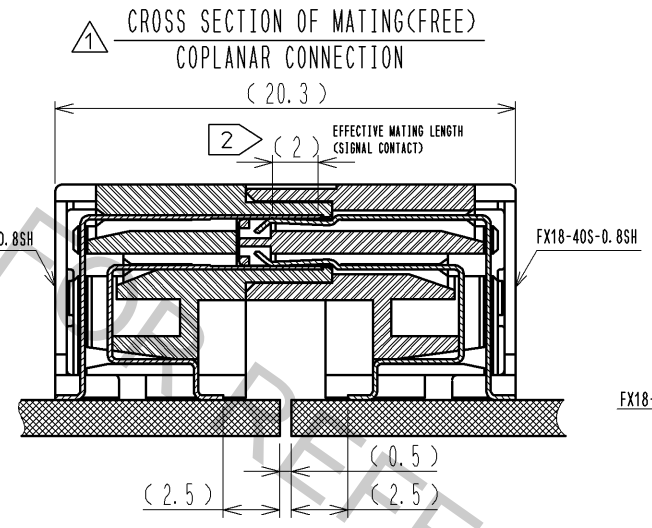
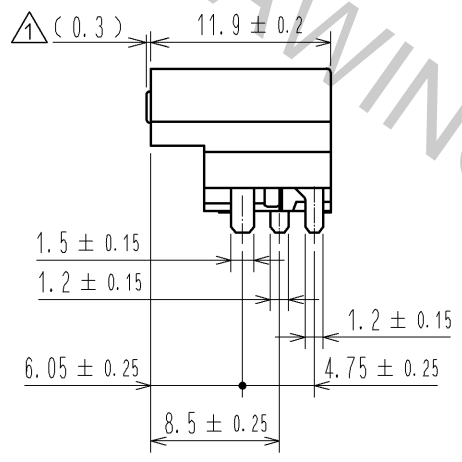
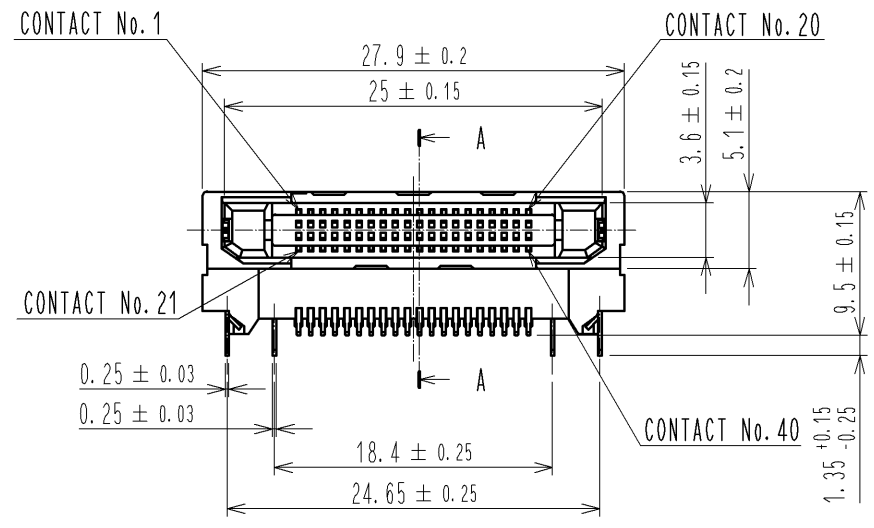
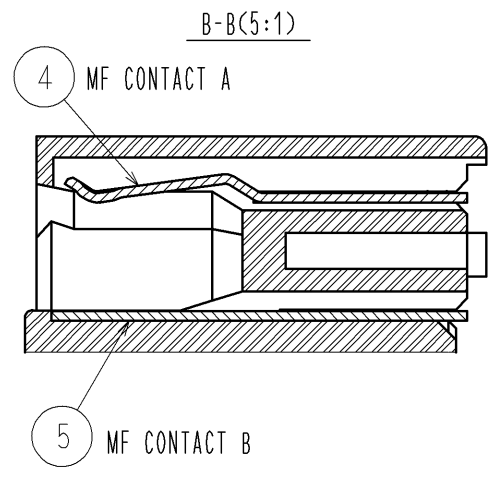
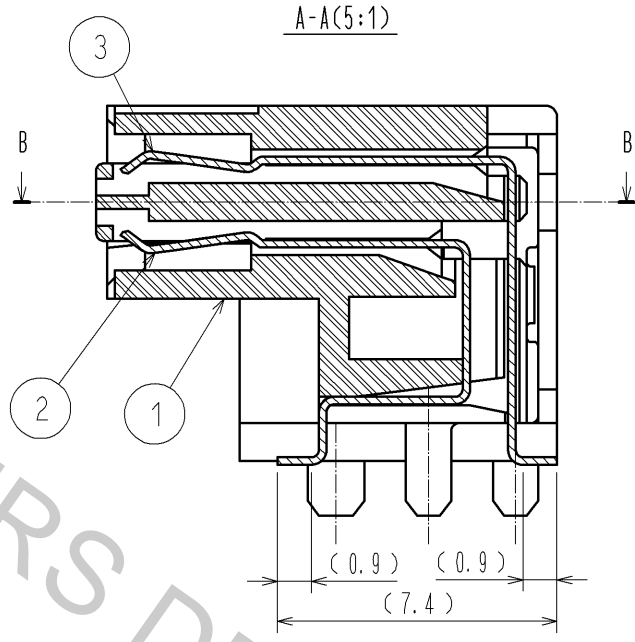
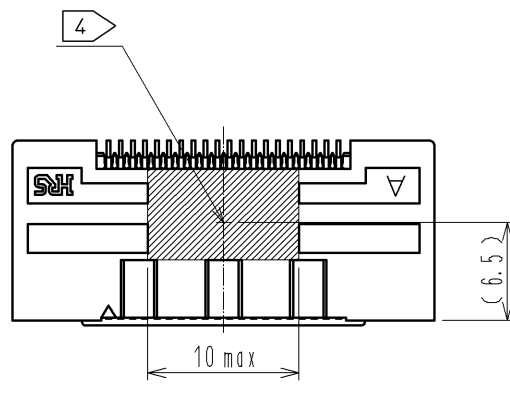


Apr.1.2017 Copyright 2017 HIROSE ELECTRIC CO., LTD. All Rights Reserved.



- NOTE 1 LEAD CO-PLANARITY IS 0.1mm MAX.
 ② CONTACTS ARE 3 STEPS SEQUENTIAL. (MF CONTACT A=>SIGNAL CONTACT=>MF CONTACT B) WHEN USING THIS SEQUENTIAL STRUCTURE. PLEASE AVOID ANGLED INSERTION.
 3 MF CONTACT A AND MF CONTACT B CAN BE USED AS POWER SUPPLY CONTACT. (3A/PIN MAX)
 ④ IT SHOWS CONNECTOR'S CENTRE OF GRAVITY AND VACUUM PICKUP AREA.
 ⑤ THIS IS PACKAGED IN TRAY. (70psc/TRAY)
 6 BLEMISH AND HIT MARK CAN BE OCCURED THROUGH OUT THE MANUFACTURING PROCESS WHICH DOESN'T AFFECT QUALITY LEVEL.
 7 THE DIMENSIONS IN PARENTHESES ARE FOR REFERENCES.

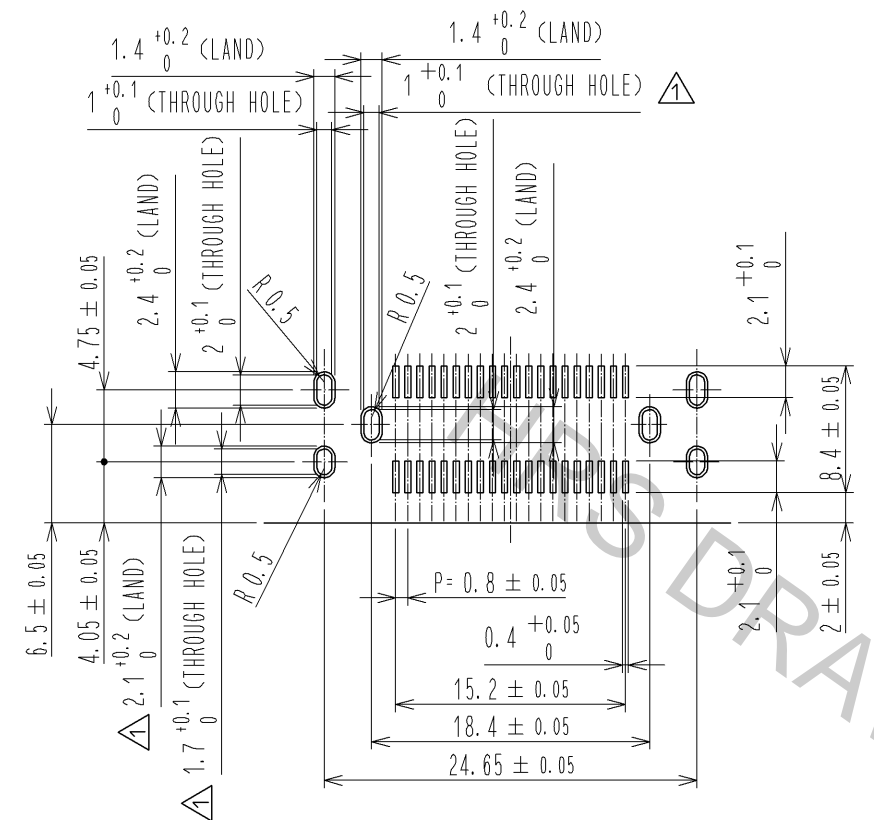
NO.	MATERIAL	FINISH	REMARKS	NO.	MATERIAL	FINISH	REMARKS
3	PHOSPHOR BRONZE	CONTACT AREA:GOLD 0.1µm LEAD AREA:GOLD 0.03µm UNDER PLATING:NICKEL 1.3µm		6	POLYSTYRENE		
2	PHOSPHOR BRONZE	CONTACT AREA:GOLD 0.1µm LEAD AREA:GOLD 0.03µm UNDER PLATING:NICKEL 1.3µm		5	PHOSPHOR BRONZE	CONTACT AREA:GOLD 0.1µm LEAD AREA:TIN-PLATING 1µm UNDER PLATING:NICKEL 1.3µm	
1	POLYAMIDE	BLACK UL94V-0		4	PHOSPHOR BRONZE	CONTACT AREA:GOLD 0.1µm LEAD AREA:TIN-PLATING 1µm UNDER PLATING:NICKEL 1.3µm	

UNITS	SCALE	COUNT	DESCRIPTION OF REVISIONS	DESIGNED	CHECKED	DATE
mm	2 : 1	7	DIS-F-005578	TH. SANO	KI. HIROKAWA	11.07.21

APPROVED	CHECED	DESIGNED	DRAWN	DRAWING NO.	PART NO.	CODE NO.
HS. OKAWA 09.10.09	KI. HIROKAWA 09.10.09	TH. SANO 09.10.09	TH. SANO 09.10.09	EDC3-159081-00	FX18-40S-0.8SH	CL579-0009-4-00

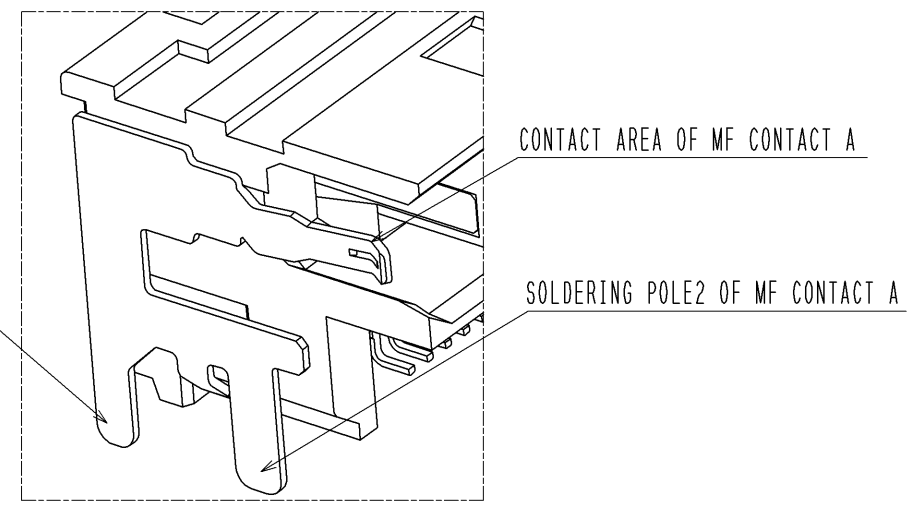
Apr.1.2017 Copyright 2017 HIROSE ELECTRIC CO., LTD. All Rights Reserved.

RECOMMENDED LAND PATTERN DIMENSION OF PCB(2:1)
(PCB THICKNESS:t=1.6mm METAL MASK THICKNESS:t=0.12mm)

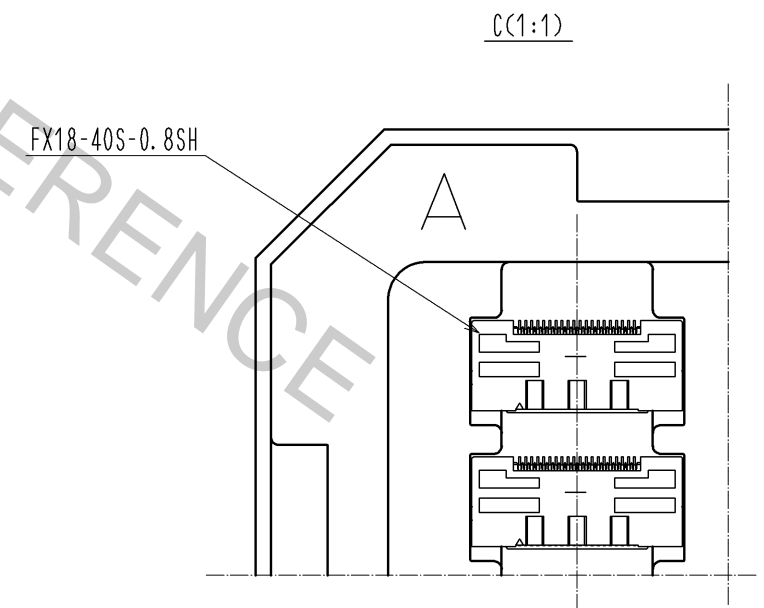
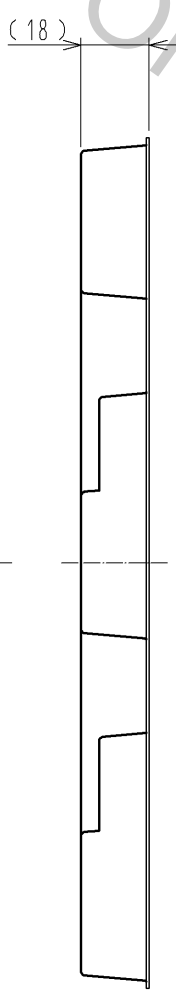
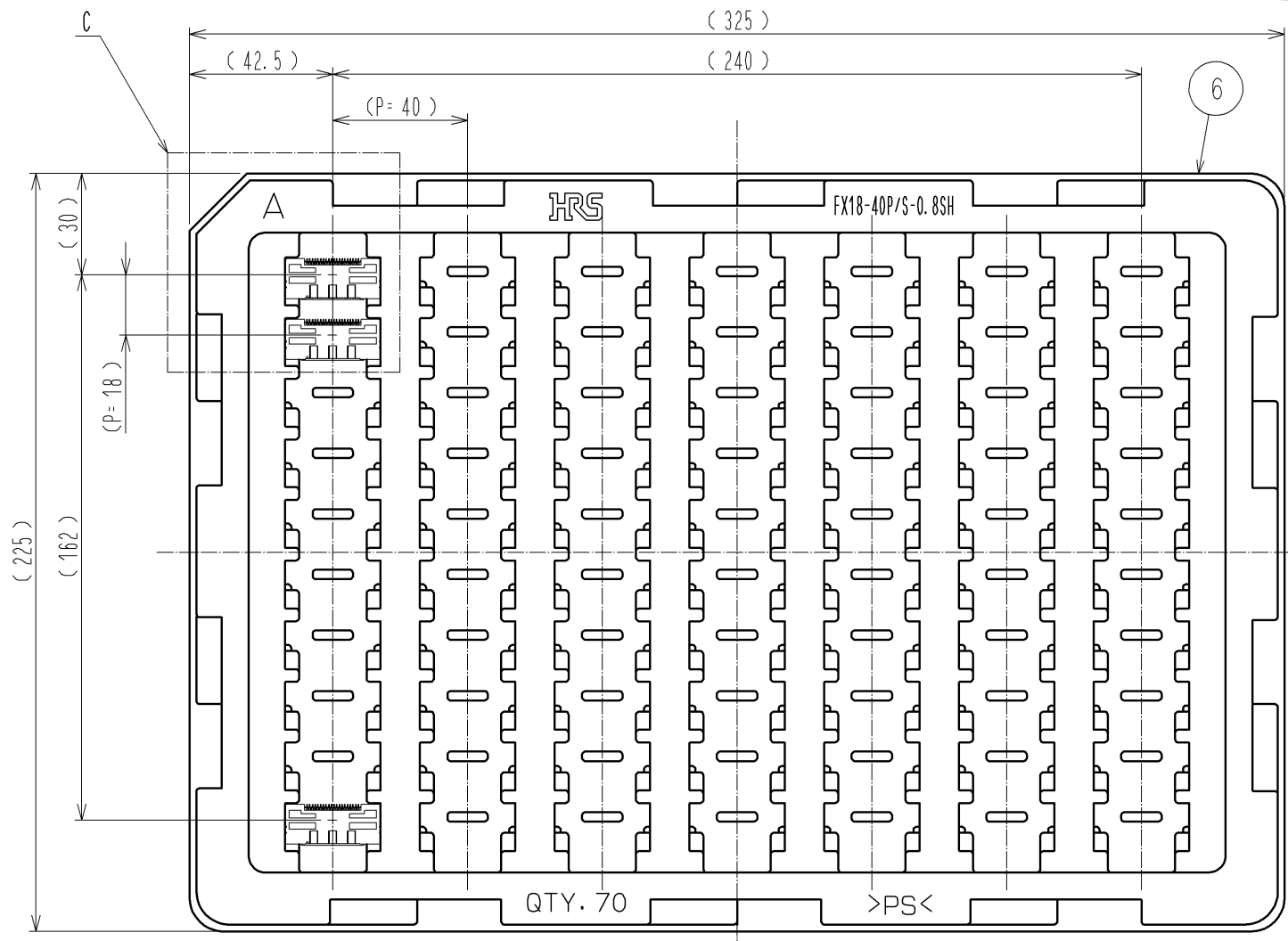


5 DRAWING FOR PACKING(1:2)

8 CONFIGURATION OF MF CONTACT A



NOTE 8 SOLDERING LEAD OF MF CONTACT A SPLITS INTO TWO POLES. BE SURE TO CONNECT TO THE SAME CIRCUIT.



HRS	DRAWING NO.	EDC3-159081-00	2/2
	PART NO.	FX18-40S-0.8SH	
	CODE NO.	CL579-0009-4-00	