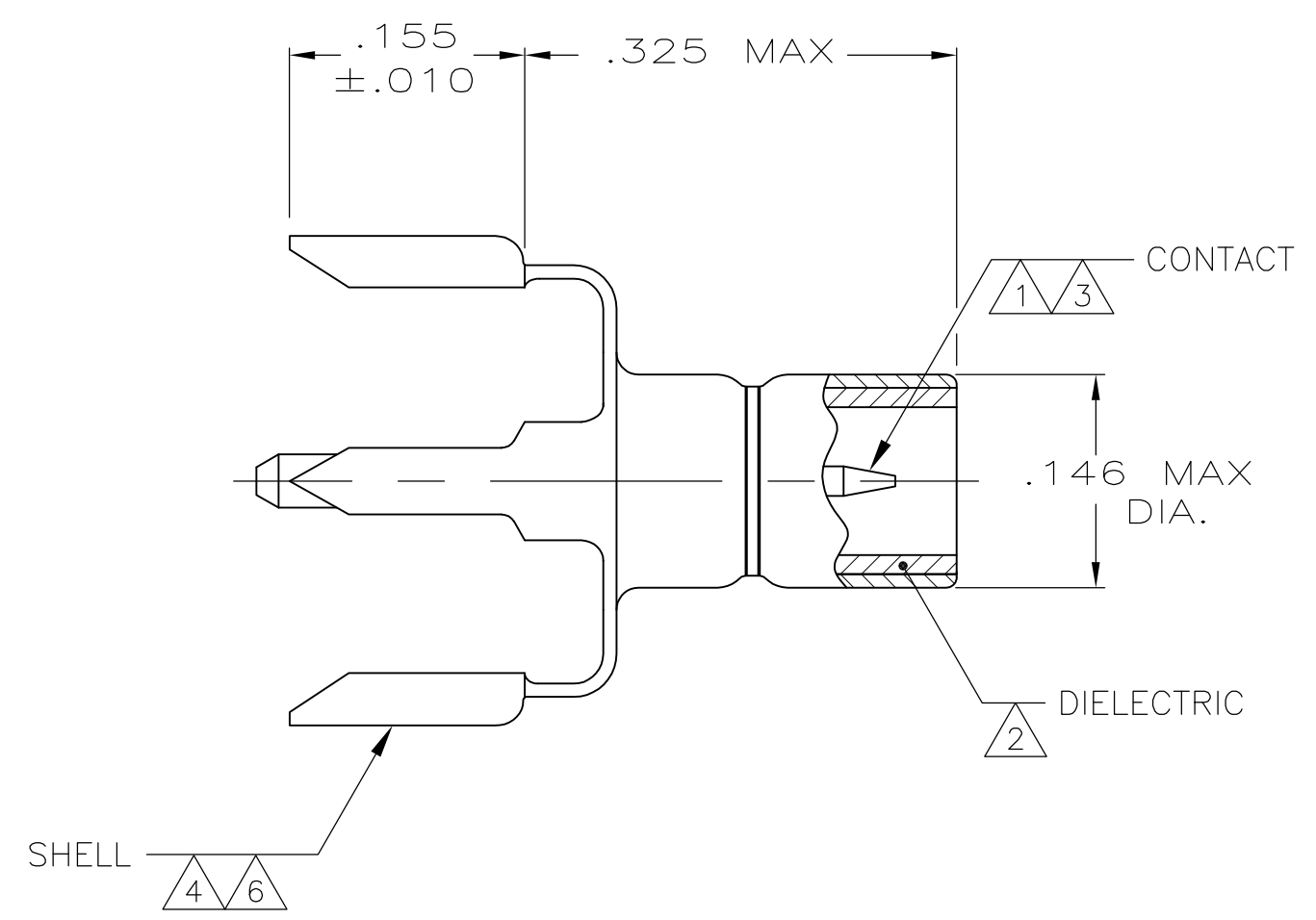
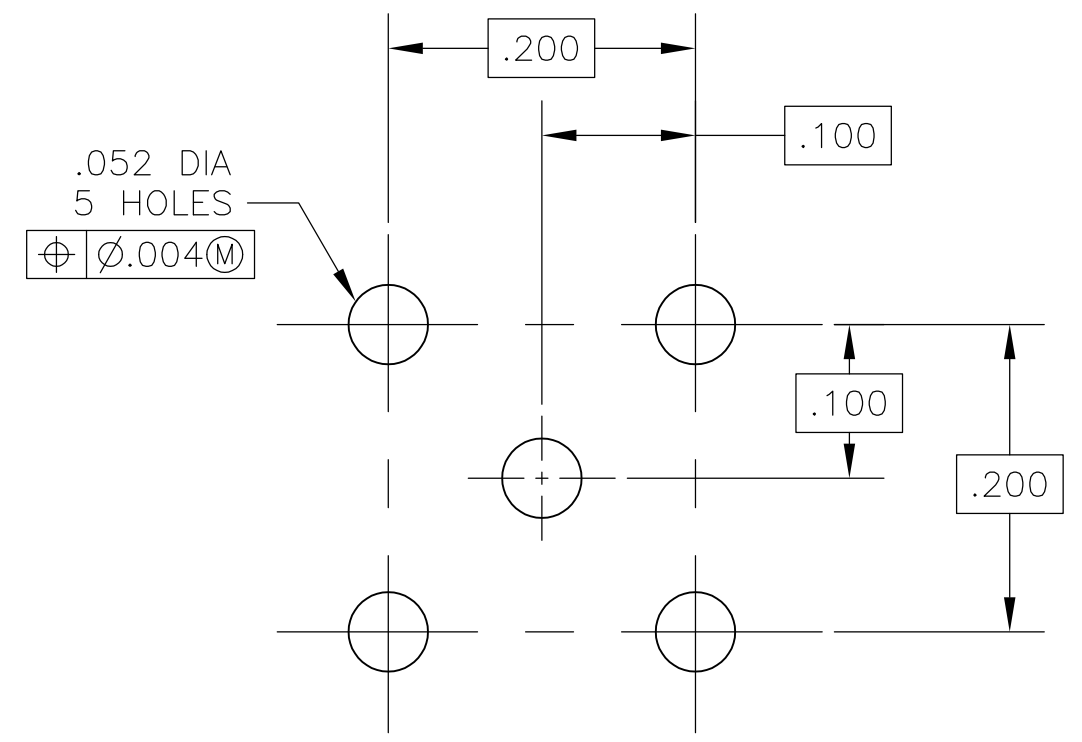


THIS DRAWING IS UNPUBLISHED. RELEASED FOR PUBLICATION
 © COPYRIGHT - By - ALL RIGHTS RESERVED.

LOC	DIST	REVISIONS			
P	LTR	DESCRIPTION	DATE	DWN	APVD
AJ	53	P1	ECR-12-005726	27MAR12	RK MY



- 1 BRASS PER ASTM-B-16.
- 2 PTFE PER ASTM-D-1710.
- 3 GOLD PLATE PER ASTM-B-488.
- 4 TIN PLATE PER ASTM-B-545.
- 5 NICKEL PLATE PER QQ-N-290.
- 6 BRASS PER ASTM-B-36.



RECOMMENDED PCB HOLE CONFIGURATION

5221111-1
 PART NUMBER

THIS DRAWING IS A CONTROLLED DOCUMENT.		DWN J. HAVENER 24JAN2005	TE Connectivity		
DIMENSIONS: INCHES		CHK J. HAVENER 25JAN2005			
TOLERANCES UNLESS OTHERWISE SPECIFIED:		APVD J. HAVENER 25JAN2005	NAME JACK,PCB, VERTICAL SMB		
0 PLC ± -		PRODUCT SPEC	SIZE		
1 PLC ± -		APPLICATION SPEC	CAGE CODE		
2 PLC ± -		WEIGHT	DRAWING NO		
3 PLC ± .002		CUSTOMER DRAWING	RESTRICTED TO		
4 PLC ± -			A3 00779 C-5221111		
ANGLES ± -		SCALE 8:1			
FINISH		SHEET 1 OF 1			
SEE NOTES		REV P1			