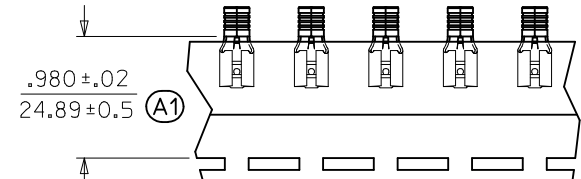
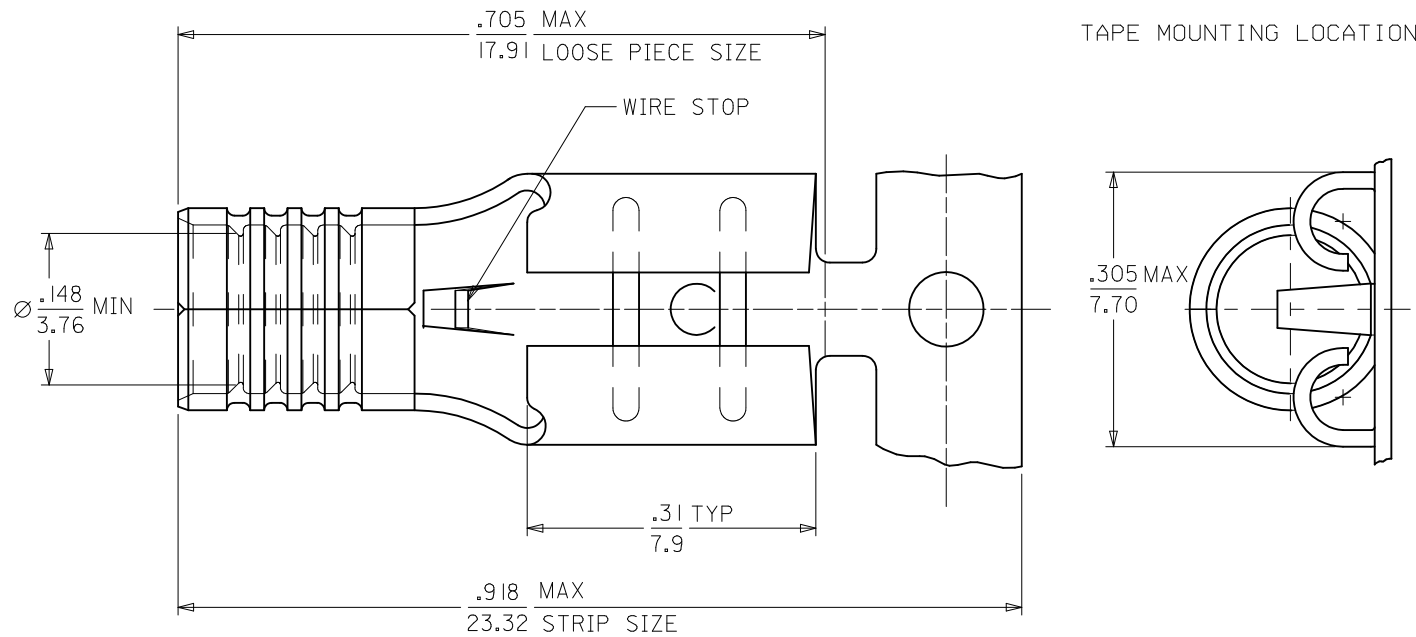


MATERIAL NUMBER	ENGINEERING NUMBER	PACKAGING
I90160069	C-1143	LOOSE PIECE
I90160073	CZ-1143	STRIP
I90160070	C-1143T	TAPE



TAPE MOUNTING LOCATION



SALES DRAWING

NOTES:
 1. MATERIAL: BRASS (A1)
 PLATING: MATTE TIN
 (A1) 2. PARTS ARE ROHS COMPLIANT.

CORRECT MATERIAL EC NO: WNA2011-0458 DRW: HETHRODAHL 2011/05/23 CHKD: JMAGNEIL 2011/05/23 APPR: JMAGNEIL 2011/07/05	QUALITY SYMBOLS	GENERAL TOLERANCES (UNLESS SPECIFIED)	DIMENSION STYLE	SCALE	DESIGN UNITS	THIRD ANGLE PROJECTION
	▼=0 ▽=0	mm INCH 4 PLACES ± --- ± --- 3 PLACES ± --- ± .005 2 PLACES ± 0.13 ± .01 1 PLACE ± 0.25 ± --- ANGULAR ± ---°	IN/MM	---	INCH	DRAWN BY DATE BRE 2002/07/23 CHECKED BY DATE HEB 2002/07/23 APPROVED BY DATE
	DESCRIPTION	DRAFT WHERE APPLICABLE MUST REMAIN WITHIN DIMENSIONS	MATERIAL NO.	TITLE		MOLEX INCORPORATED DOCUMENT NO. SD-19016-002 SHEET NO. 1 OF 1
	REV	A1	SEE CHART	QUICK DISCONNECT RECEPTACLE FOR 12-10 AWG .250 X .032 TAB SIZE		