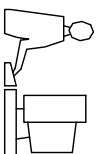


THIS IS A CAD GENERATED DRAWING
DO NOT MAKE MANUAL REVISIONS TO MASTER.



ISSUE NUMBER
ORIGINAL
REF. TO ROHS ADDED F.BRIONES SEP. 20/06
REF. TO PIN POSN ADDED R.BLAKELEY OCT. 25/06

NOTES

MATERIAL AND FINISH:

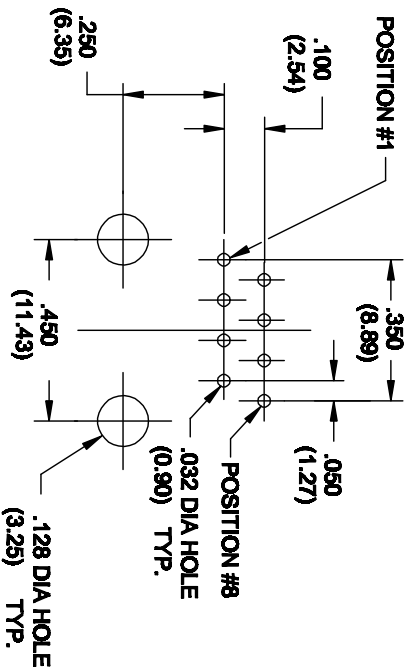
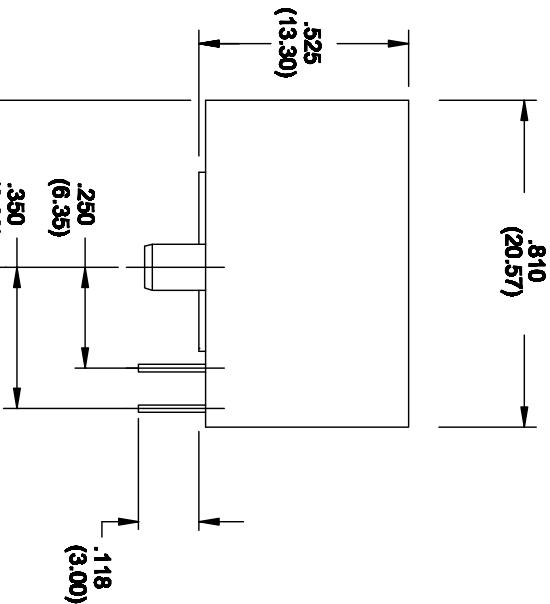
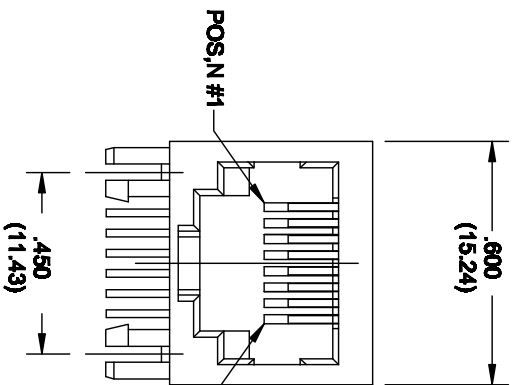
BODY: HOUSING: PBT POLYESTER
UL94V-0 RATED, MIXED GLASS FIBER.
STANDARD COLOR: BLACK

CONTACTS: PHOSPHOR BRONZE(0.45mm DIA.)
PLATED WITH GOLD AS PER PART NO. TABLE
CAVITY CONFORMS TO FCC RULES AND
REGULATIONS PART 68, SUBPART F

AOO-108-260-450 GOLD FLASH
AOO-108-360-450 15 MICRONS OF GOLD
AOO-108-660-450 30 MICRONS OF GOLD
AOO-108-960-450 50 MICRONS OF GOLD



THIS SERIES FULLY CONFORMS TO THE
EUROPEAN UNION DIRECTIVES 2011/65/EU
ROHS COMPLIANCY.



PC BOARD LAYOUT

8 POSITIONS JACK

EDAC INC.
TORONTO, ONTARIO
CANADA
YOUR CONNECTION TO QUALITY & SERVICE

THESE DRAWINGS AND SPECIFICATIONS
ARE THE PROPERTY OF EDAC INC. AND
SHALL NOT BE REPRODUCED OR COPIED
OR USED AS THE BASIS FOR THE
MANUFACTURE OF ANY PRODUCT
WITHOUT WRITTEN PERMISSION.

ACAD REF. DRAWING:	AOO-108-661-450
DRAWN: F.BRIONES	DATE: SEP.17/01
CHECKED:	DATE:
SCALE: 1:1	SHEET 1 OF 1
DRAWING NUMBER	ISSUE
AOO-108-260-450	3