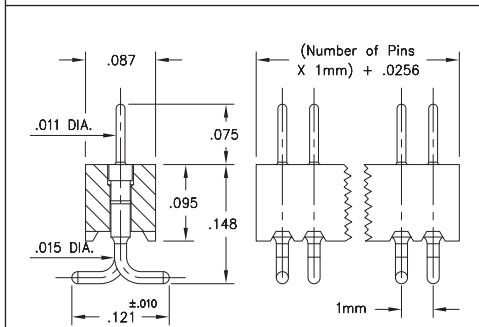
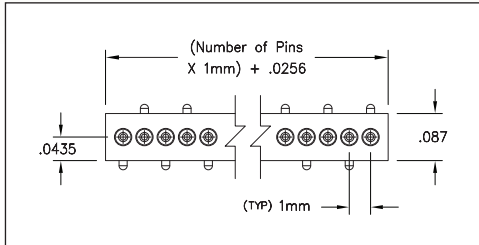


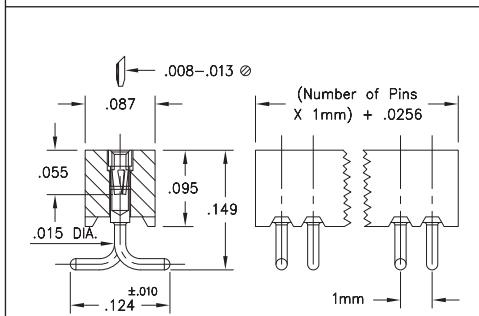
INTERCONNECTS

SERIES 860 & 861 • 1mm GRID SURFACE MOUNT GULL WING HEADERS & SOCKETS • SINGLE ROW STRIPS



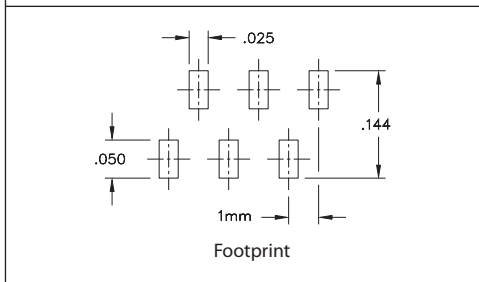
Coplanarity .005". For pin counts >20 positions, consult Technical Support.

FIG. 1

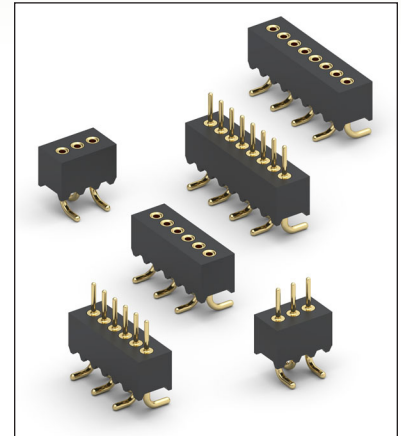


Coplanarity .005". For pin counts >20 positions, consult Technical Support.

FIG. 2



- Series 860 surface mount gull wing headers have .011" dia. pluggable pins for Surface Mount soldering to the P.C.B. (MM #3039). See page 208 for details
- Series 861 surface mount gull wing sockets uses MM #0439 receptacles that accept pin diameters from .008"-.013". See page 156 for details
- Receptacles use Hi-Rel, 3-finger BeCu #04 contact rated at 2 amps. See page 250 for details
- Insulators are high temperature thermoplastic, suitable for all soldering operations



ORDERING INFORMATION

FIG. 1	Series 860...002	Single Row Surface Mount Header			
		860-10-0	-30-002000		
	Specify number of pins		03-26		
SPECIFY PLATING CODE XX=		10			
Pin Plating		10 μ" Au			

FIG. 2	Series 861...002	Single Row Surface Mount Socket			
		861-13-0	-30-002000		
	Specify number of pins		03-26		
SPECIFY PLATING CODE XX=		13			
Sleeve (Pin)		10 μ" Au			
Contact (Clip)		30 μ" Au			