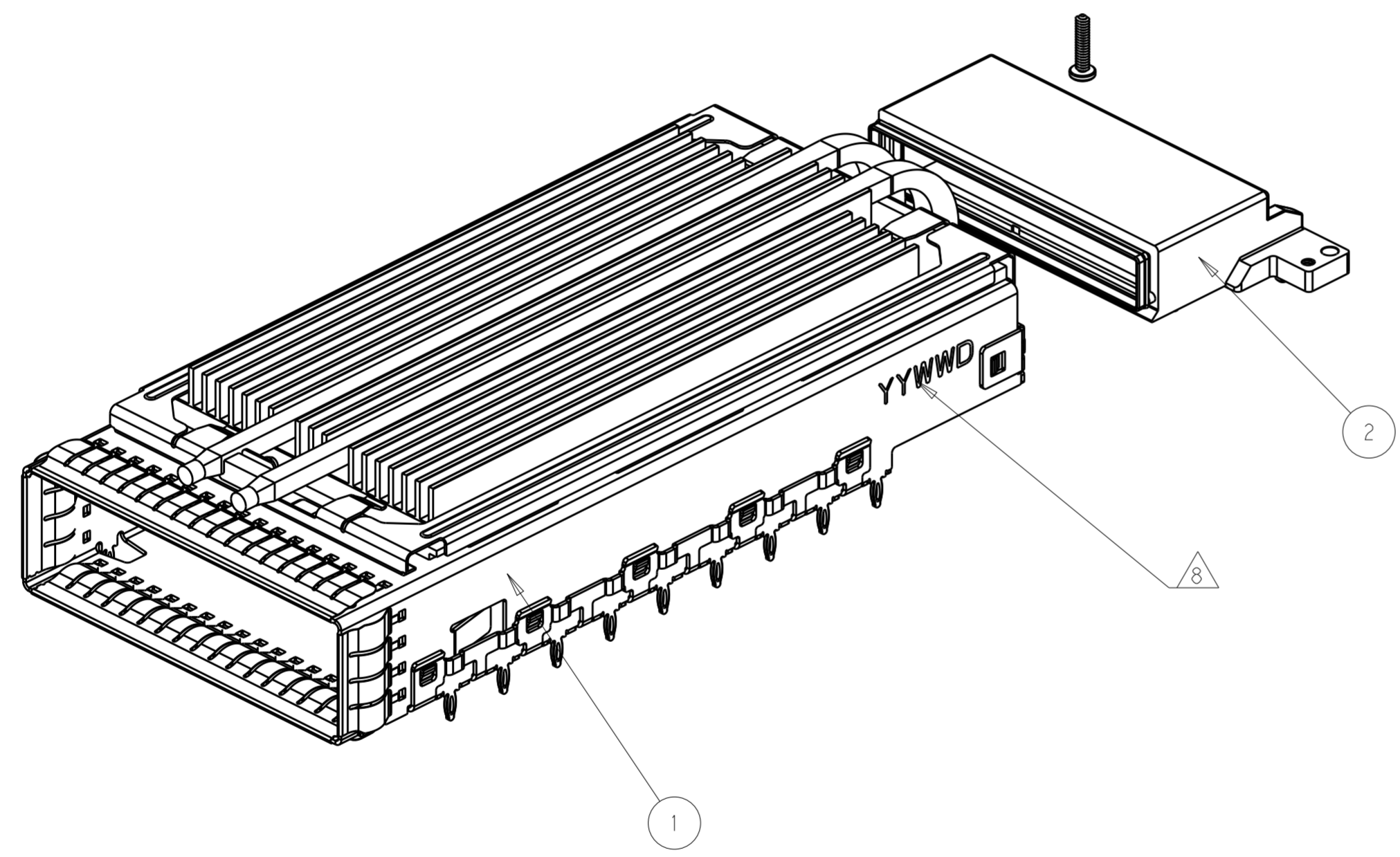


THIS DRAWING IS UNPUBLISHED. RELEASED FOR PUBLICATION 20  
 © COPYRIGHT 20 BY - ALL RIGHTS RESERVED.

REVISIONS				
P	LTR	DESCRIPTION	DATE	APVD
1		INITIAL RELEASE	28DEC2016	AD SH
2		DECREASE LP 2.5MM	09JAN2017	AD SH



- 1. MATERIAL :CAGE :0.4MM THICK NICKEL SILVER ALLOY;  
EMI SPRING: COPPER ALLOY;  
HEAT SINK CLIP: STAINLESS STEEL;  
HEAT SINK:ALUMINUM ALLOY;  
RECEPTACLE COVER:ZINC ALLOY;
- 2. FINISH: EMI SPRING :1.27um NICKEL PALTING OVER ALL;  
HEAT SINK:BLACK ANODIZED COATING;  
RECEPTACLE COVER: 1.27um MIN NICKEL PLATING OVER COPPER PLATING;  
HEAT SINK CLIP:PASSIVATE;
- 3.MATES WITH CFP MSA COMPLIANT TRANSCEIVERS.
- 4.DATUM AND BASIC DIMENSION ESTABLISHED BY CUSTOMER.
- 5.MINIMUM PC BOARD THICKNESS: SIGLE SIDE APPLICATIONS=2.99±0.63mm.  
BELLY TO BELLY APPLICATION=3.0mm MIN.
- 6.PADS AND VIAS CHASSIS GROUND;
- 7:REFERENCE APPLICATION SOEC 114-32146,HOLE A, FOR  
RECOMMENDED DRILL HOLE DIAMETER AND PLATING THICKNESS.
- 8:DATE CODE LOCATED AT APPROXIMATE AREA AS SHOWN

THIS PRINT IS  
**PRELIMINARY**  
 UNQUALIFIED PRODUCT  
 CONTACT PRODUCT ENGINEERING  
 BEFORE USING THIS PRINT

PAR NUMBER	DESCRIPTION	ITEM
2	2292789-1 SCREW	3
1	2274846-1 RECEPTACLE COVER ASSEMBLY	2
1	2314914-1 CAGE ASSEMBLY WITH H/S,LP,CFP2 1X1	1
-1	PAR NUMBER DESCRIPTION	ITEM

THIS DRAWING IS A CONTROLLED DOCUMENT.

DWN	ANDY XIF	28DEC2016
CHK	SEAN HAN	28DEC2016
APVD	SEAN HAN	28DEC2016

PRODUCT SPEC: 108-32103  
 APPLICATION SPEC: 114-32145

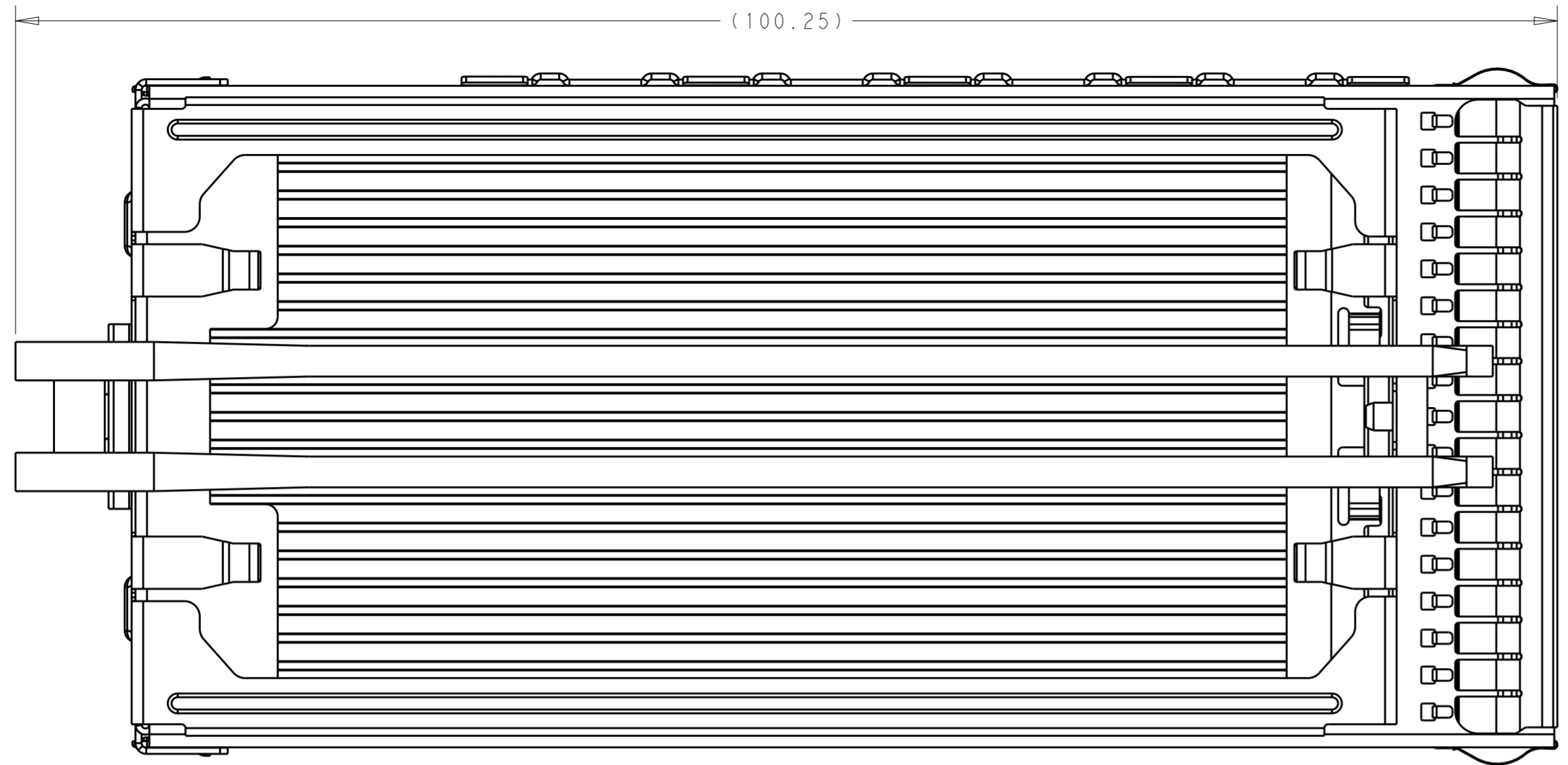
NAME: HARDWARE KITS WITH LP CFP2 1X1

SIZE: A2 CAGE CODE: - DRAWING NO: C-2314979 RESTRICTED TO: -  
 WEIGHT: - SCALE: 1:1 SHEET: 1 OF 6 REV: 2

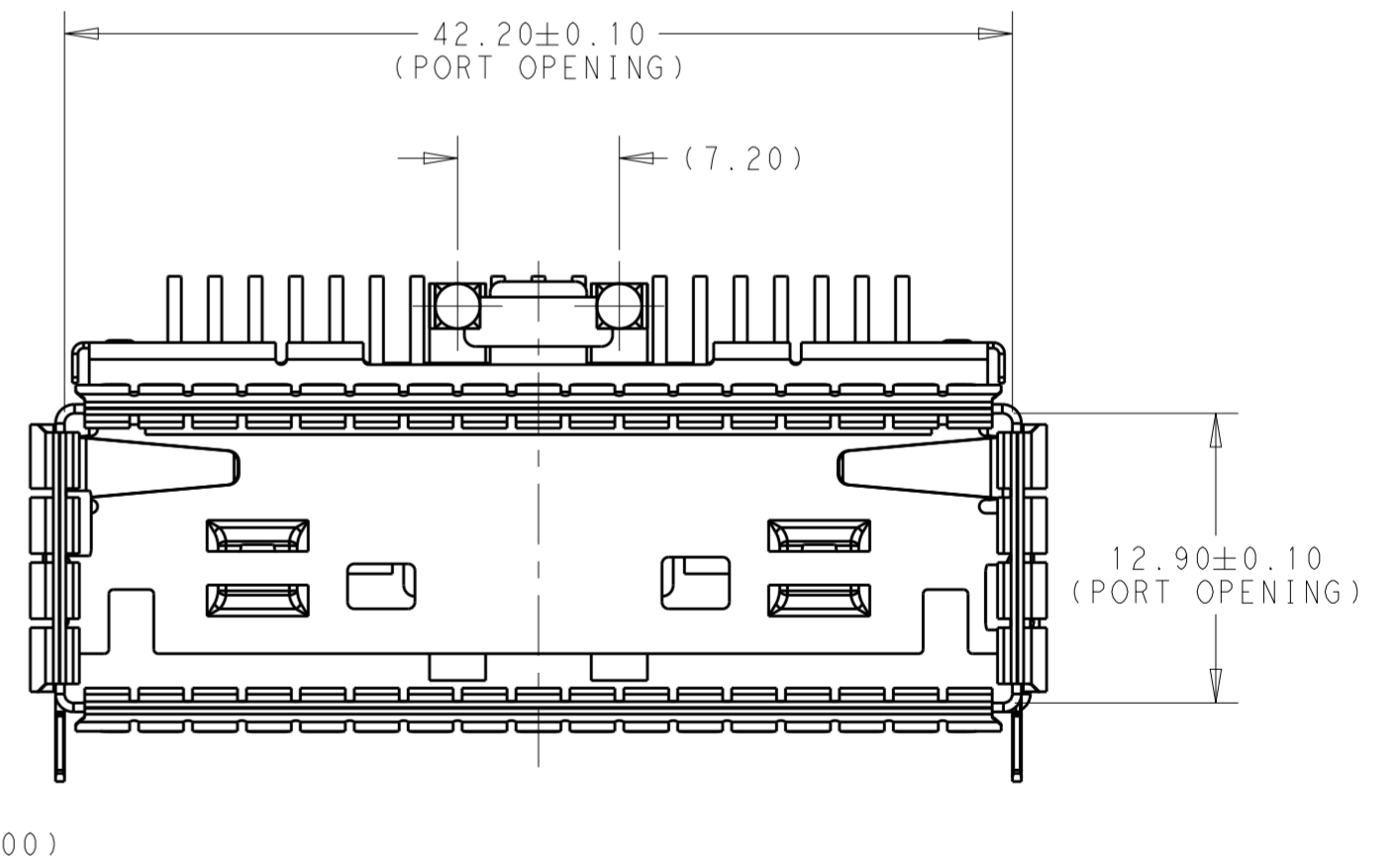
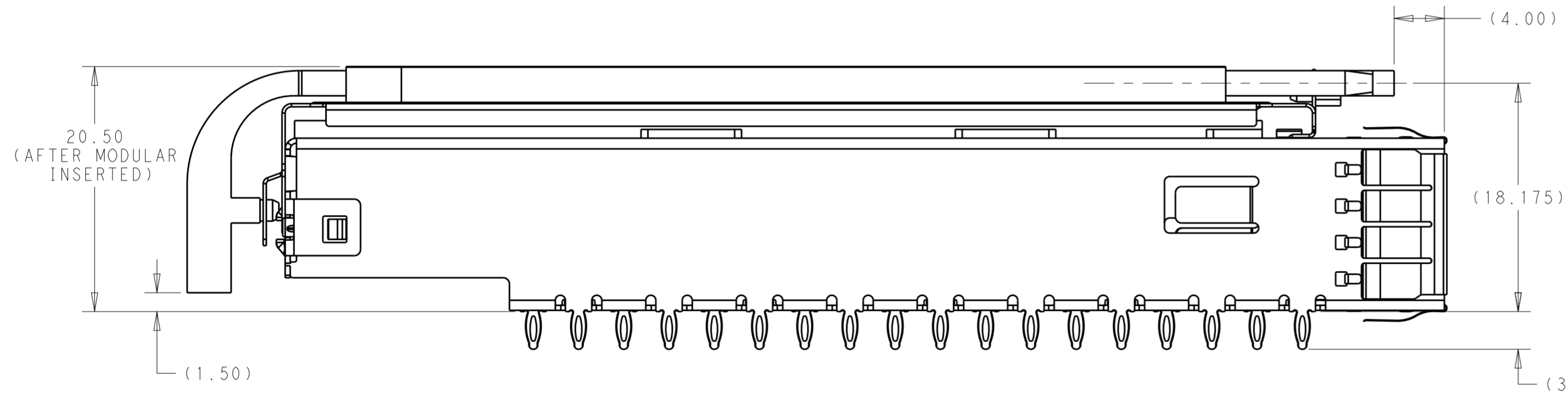
CUSTOMER DRAWING

THIS DRAWING IS UNPUBLISHED. RELEASED FOR PUBLICATION 20  
 © COPYRIGHT 20 BY - ALL RIGHTS RESERVED.

REVISIONS				
P	LTR	DESCRIPTION	DATE	APVD
-		SEE SHEET 1	-	-



THIS PRINT IS  
**PRELIMINARY**  
 UNQUALIFIED PRODUCT  
 CONTACT PRODUCT ENGINEERING  
 BEFORE USING THIS PRINT

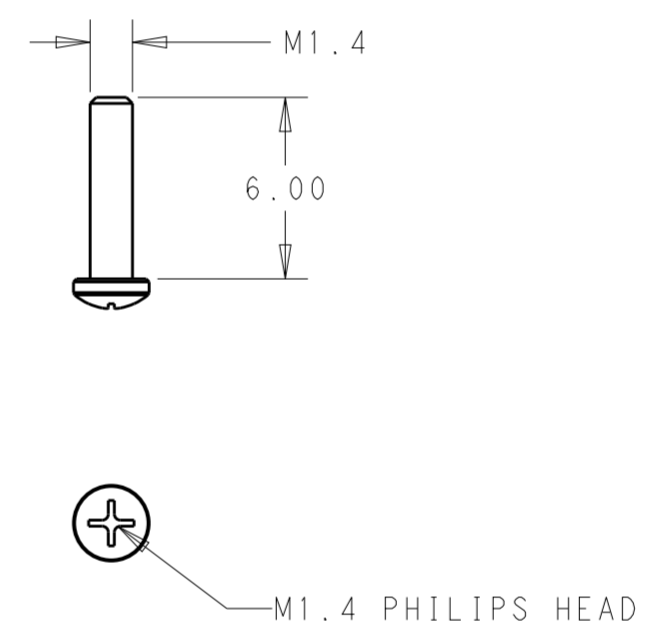
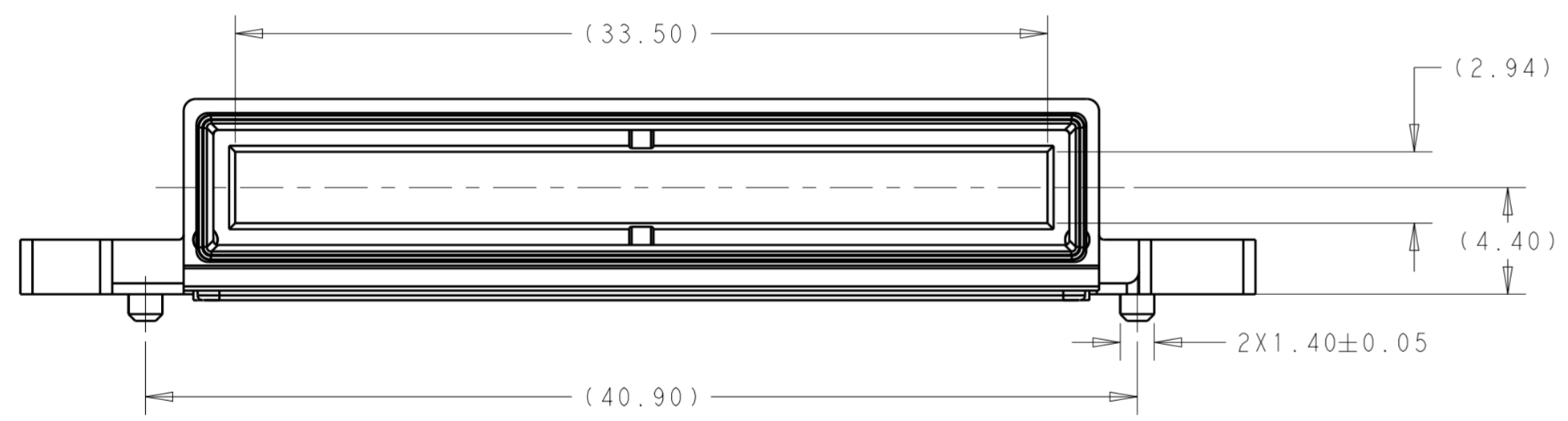
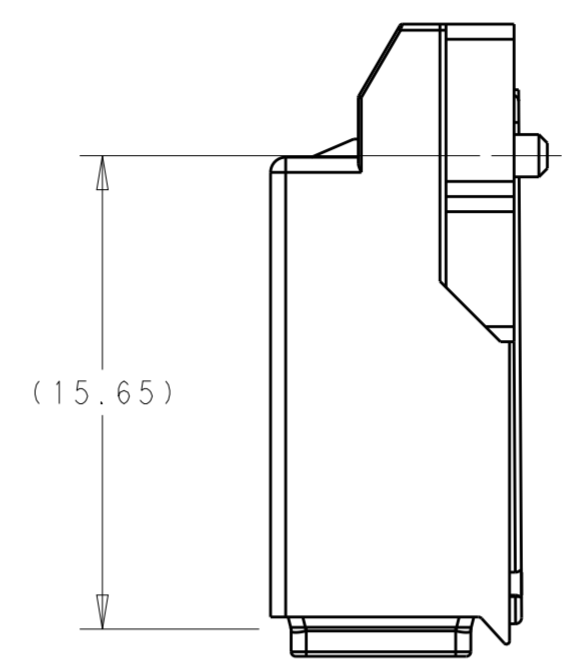
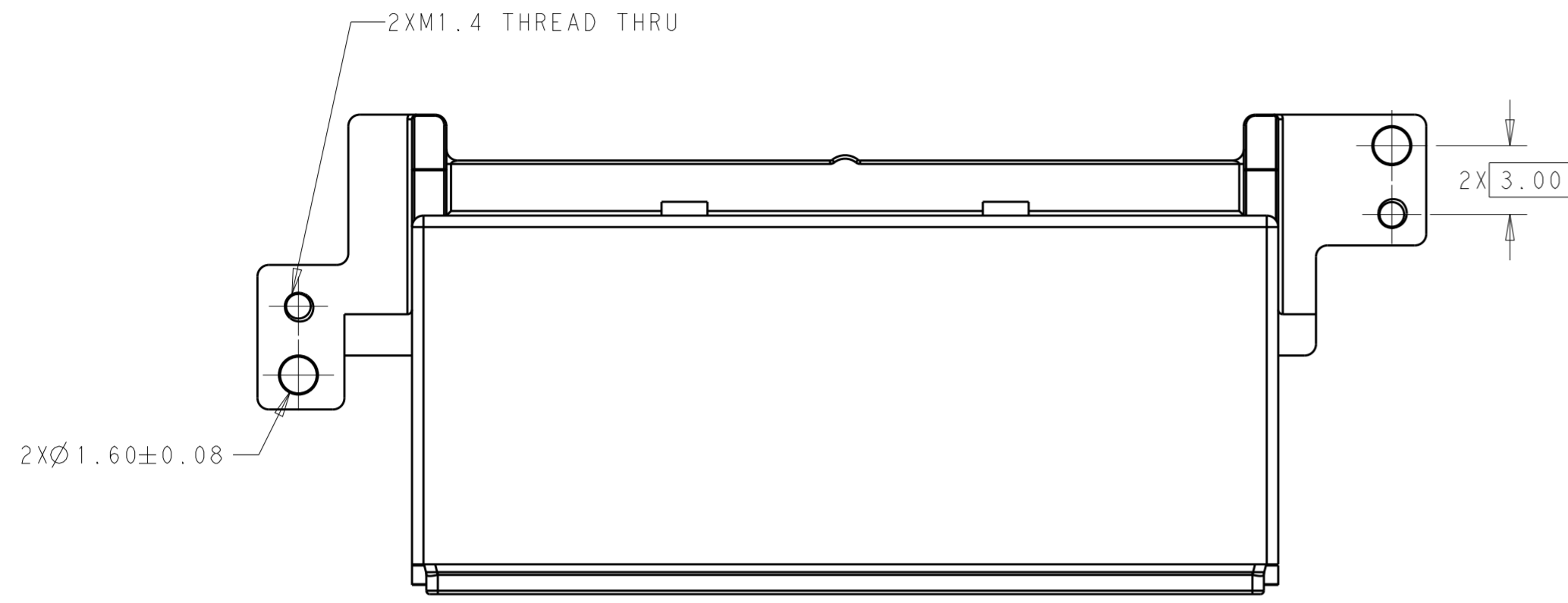


2314914-1 AS SHOWN

THIS DRAWING IS A CONTROLLED DOCUMENT.		DWN ANDY.XIE 28DEC2016	TE Connectivity	
DIMENSIONS: mm		CHK SEAN.HAN 28DEC2016		
TOLERANCES UNLESS OTHERWISE SPECIFIED:		APVD SEAN.HAN 28DEC2016	NAME HARD WARE KITS WIHT LP CFP2 1X1	
0 PLC ±	1 PLC ±0.25	PRODUCT SPEC	SIZE	RESTRICTED TO
2 PLC ±0.15	3 PLC ±0.1	APPLICATION SPEC	A2	-
4 PLC ±0.05	ANGLES ±1	WEIGHT	CAGE CODE	DRAWING NO
MATERIAL SEE NOTES	FINISH SEE NOTES	Customer Drawing	-	G-2314979
		SCALE	1:1	SHEET 2 OF 6
				REV 2

THIS DRAWING IS UNPUBLISHED. RELEASED FOR PUBLICATION 20  
 © COPYRIGHT 20 BY - ALL RIGHTS RESERVED.

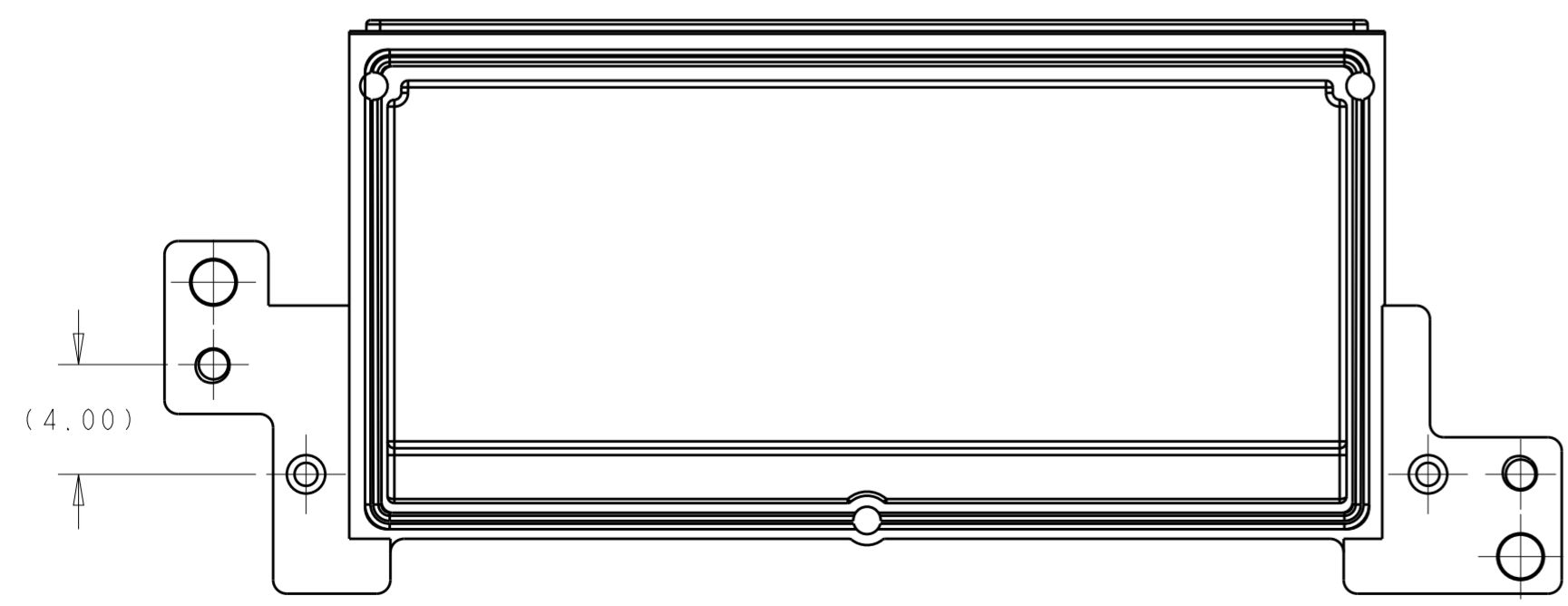
REVISIONS				
P	LTR	DESCRIPTION	DATE	APVD
-		SEE SHEET 1	-	-



SCALE 4:1

2292789-1 AS SHOWN

THIS PRINT IS  
**PRELIMINARY**  
 UNQUALIFIED PRODUCT  
 CONTACT PRODUCT ENGINEERING  
 BEFORE USING THIS PRINT

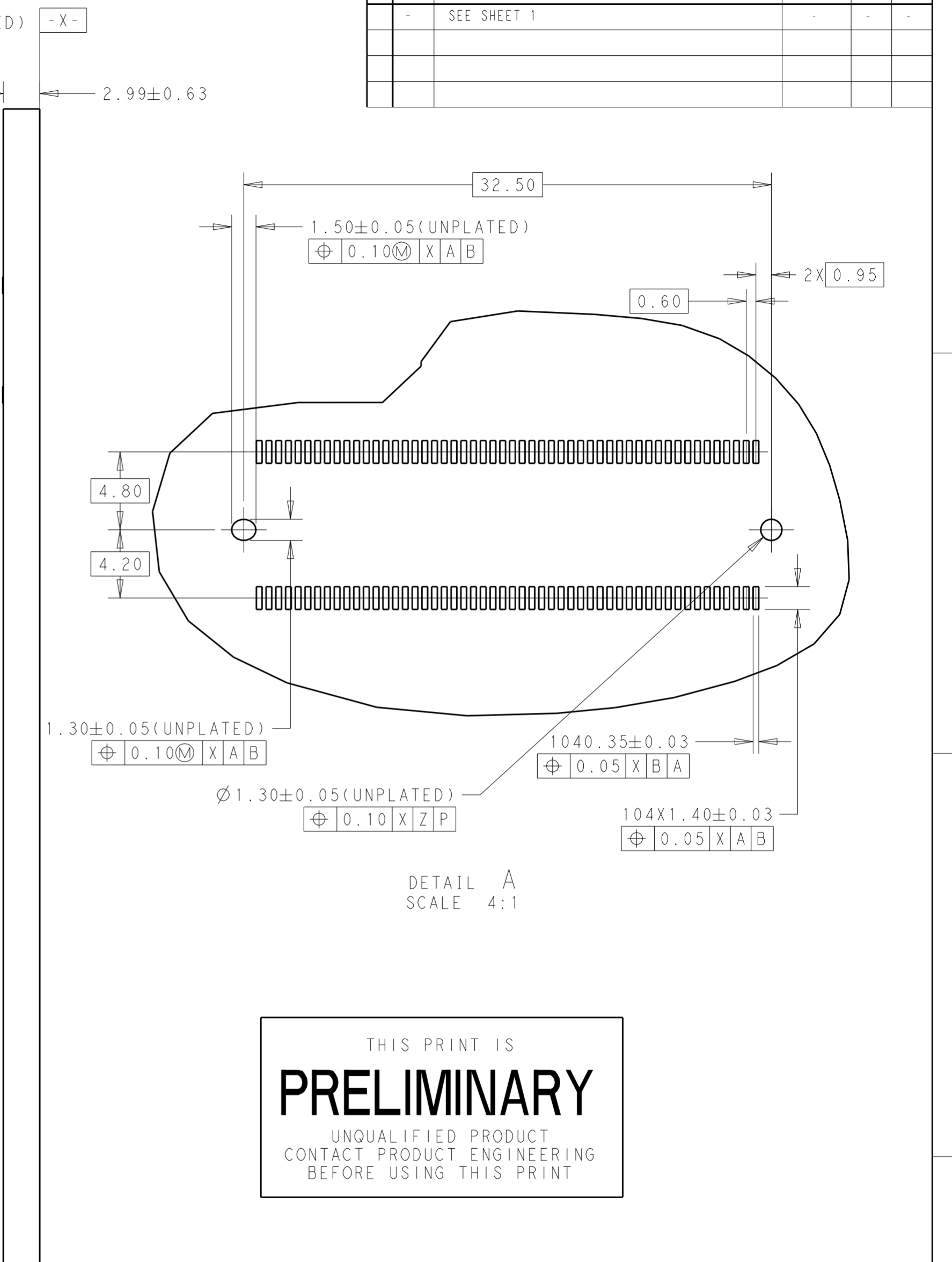
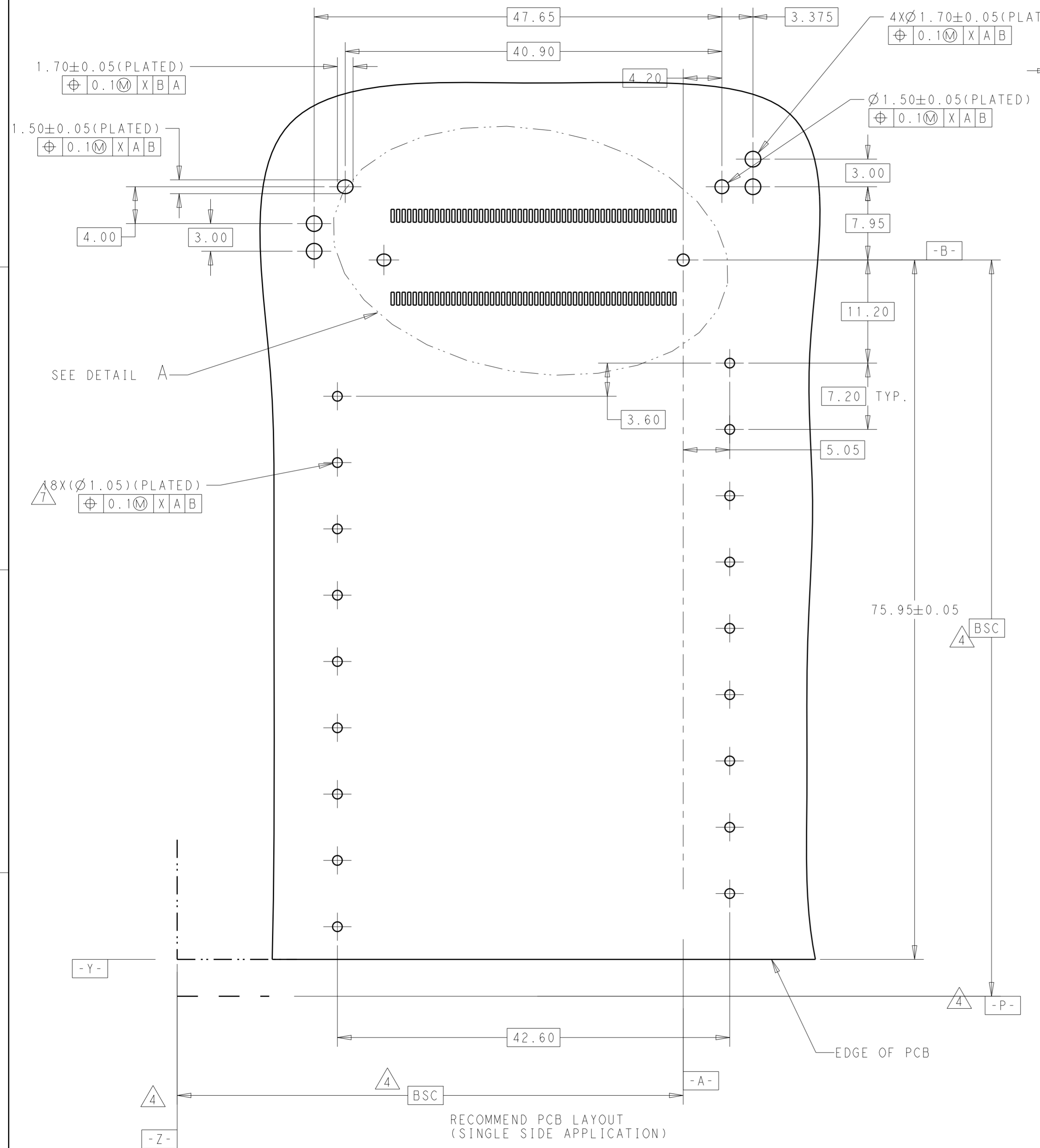


2274846-1 AS SHOWN

THIS DRAWING IS A CONTROLLED DOCUMENT.		DWN ANDY.XIE 28DEC2016	<b>STE</b> TE Connectivity	
		CHK SEAN.HAN 28DEC2016		
DIMENSIONS: mm		APVD SEAN.HAN 28DEC2016	NAME HARD WARE KITS WIHT LP CFP2 1X1	
TOLERANCES UNLESS OTHERWISE SPECIFIED:		PRODUCT SPEC -	SIZE A2	
0 PLC ±		APPLICATION SPEC -	CAGE CODE -	
1 PLC ±0.25		WEIGHT -	DRAWING NO C-2314979	
2 PLC ±0.15		RESTRICTED TO -	SCALE 4:1	
3 PLC ±0.1			SHEET 3 OF 6	
4 PLC ±0.05			REV 2	
ANGLES ±1				
FINISH				
MATERIAL SEE NOTES				
SEE NOTES				
		Customer Drawing		

THIS DRAWING IS UNPUBLISHED. RELEASED FOR PUBLICATION 20  
 © COPYRIGHT 20 BY - ALL RIGHTS RESERVED.

REVISIONS					
P	LTR	DESCRIPTION	DATE	DWN	APVD
-	-	SEE SHEET 1	-	-	-



DETAIL A  
SCALE 4:1

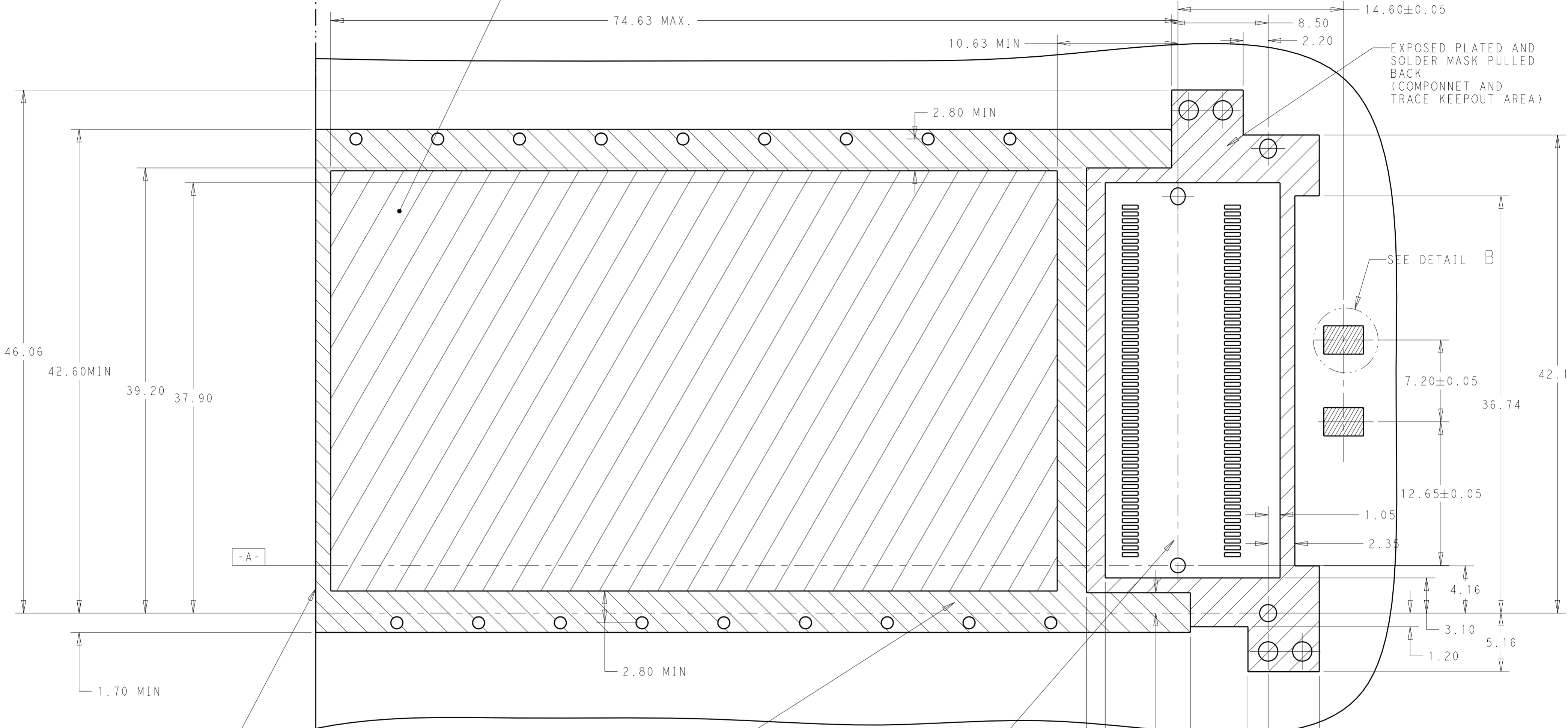
THIS PRINT IS  
**PRELIMINARY**  
 UNQUALIFIED PRODUCT  
 CONTACT PRODUCT ENGINEERING  
 BEFORE USING THIS PRINT

THIS DRAWING IS A CONTROLLED DOCUMENT.		DWN ANDY.XIE 28DEC2016	TE Connectivity		
DIMENSIONS: mm		CHK SEAN.HAN 28DEC2016			
TOLERANCES UNLESS OTHERWISE SPECIFIED:		APVD SEAN.HAN 28DEC2016	NAME HARD WARE KITS WIHT LP CFP2 1X1		
0 PLC ± 1 PLC ±0.25 2 PLC ±0.15 3 PLC ±0.1 4 PLC ±0.05 ANGLES ±1 FINISH		PRODUCT SPEC -	SIZE A2		
MATERIAL SEE NOTES		APPLICATION SPEC -	CAGE CODE -	DRAWING NO C-2314979	RESTRICTED TO -
SEE NOTES		WEIGHT -	Customer Drawing		SCALE 3:1 SHEET 4 OF 6 REV 2

THIS DRAWING IS UNPUBLISHED. RELEASED FOR PUBLICATION 20  
 © COPYRIGHT 20 BY - ALL RIGHTS RESERVED.

REVISIONS					
P	LTR	DESCRIPTION	DATE	DWN	APVD
-	-	SEE SHEET 1	-	-	-

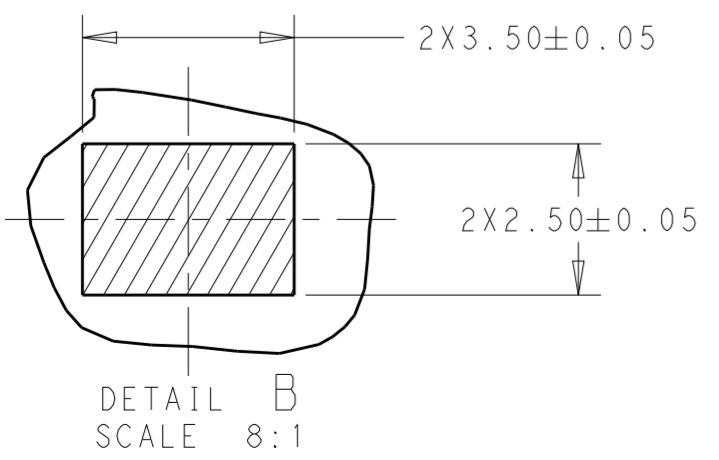
CROSS-HATCHED DENOTES COMPONENT AND TRACE KEEP-OUT AREA (EXCEPT CHASSIS GROUND) FOR NON-MAYLARTAPE APPLICATION. COMPONENTS AND TRACES ARE ONLY ALLOWED FOR APPLICATION WITH MYLAR TAPE



EXPOSED PLATED AND SOLDER MASK PULLED BACK (COMPONENT AND TRACE KEEPOUT AREA)

SEE DETAIL B

EDGE OF PCB



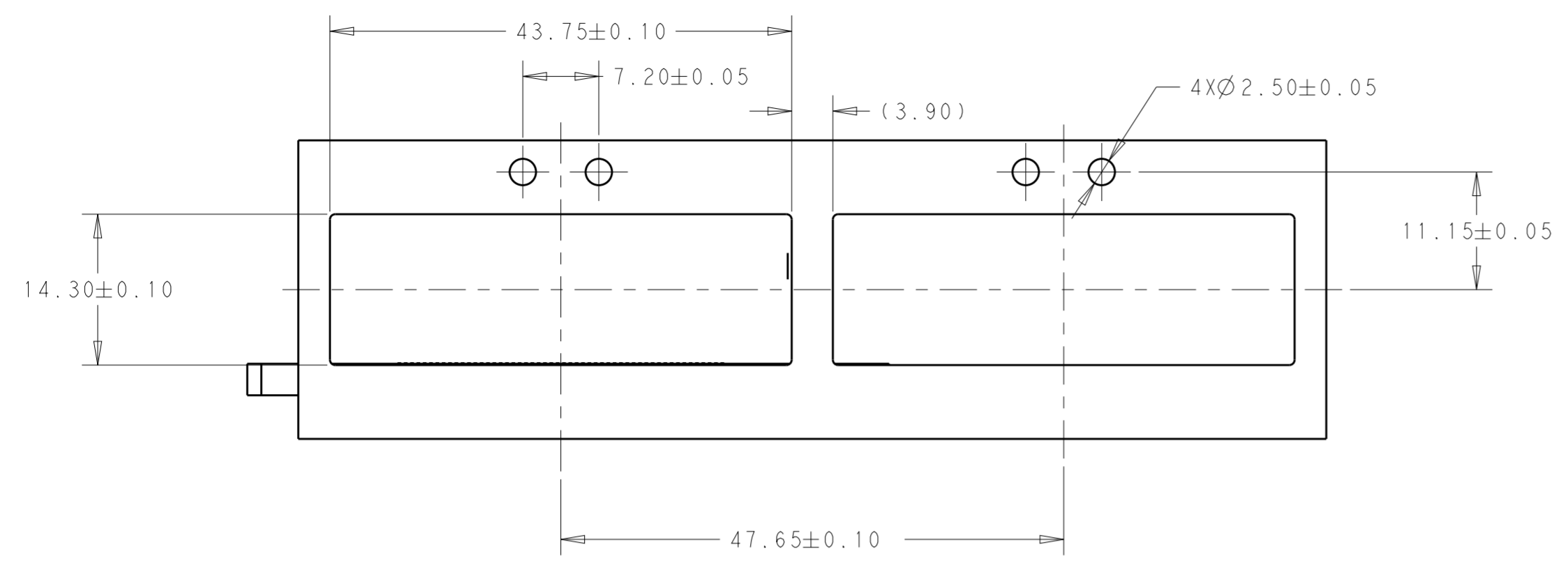
CROSS-HATCHED DENOTES COMPONENT AND TRACE KEEP-OUT AREA (EXCEPT CHASSIS GROUND)  
 COMPONENT KEEP-OUT AREA (TRACE ALLOWED)

THIS PRINT IS  
**PRELIMINARY**  
 UNQUALIFIED PRODUCT  
 CONTACT PRODUCT ENGINEERING  
 BEFORE USING THIS PRINT

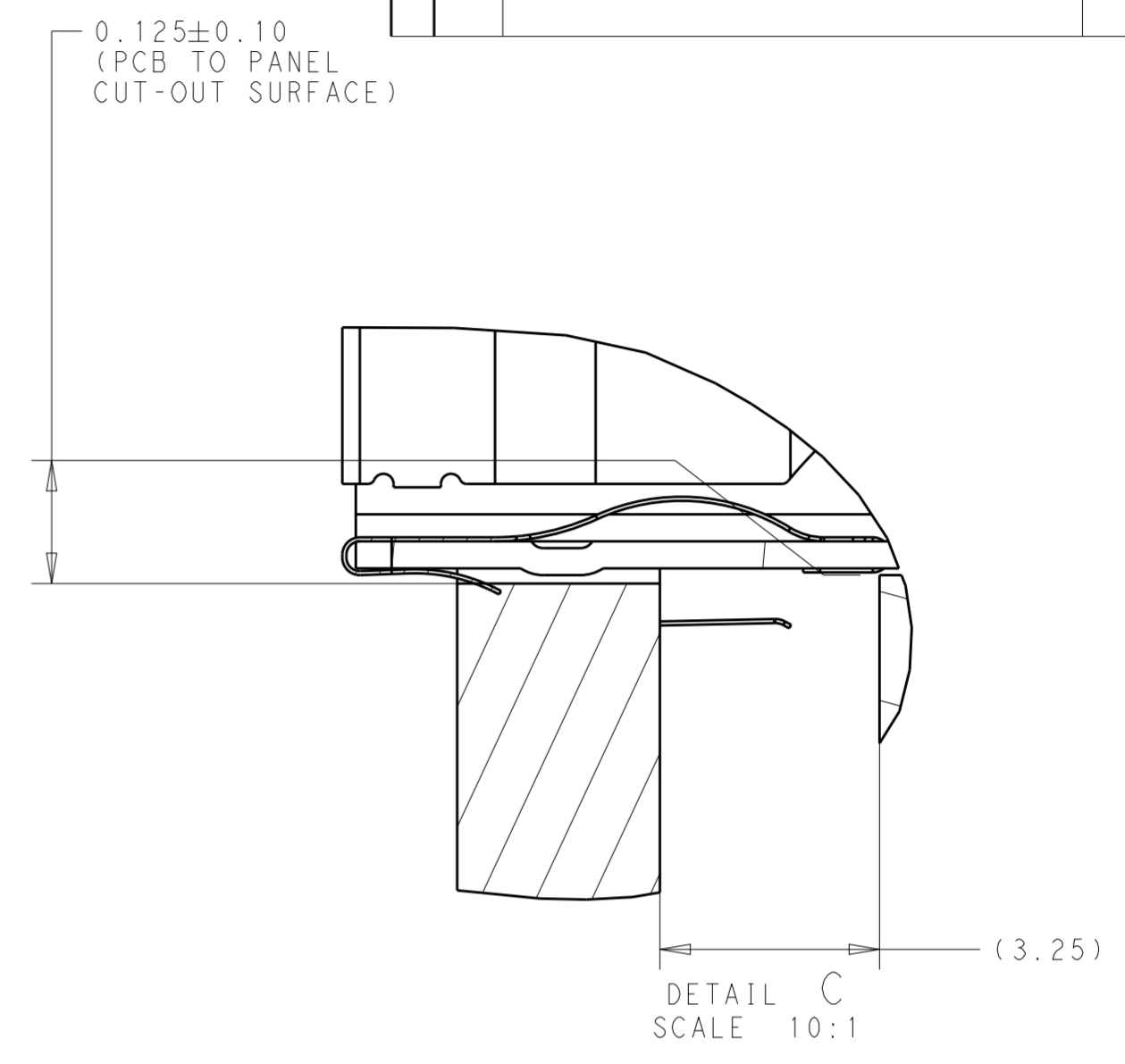
THIS DRAWING IS A CONTROLLED DOCUMENT.		DWN ANDY.XIE 28DEC2016	TE Connectivity	
DIMENSIONS: mm		CHK SEAN.HAN 28DEC2016		
TOLERANCES UNLESS OTHERWISE SPECIFIED:		APVD SEAN.HAN 28DEC2016	NAME HARD WARE KITS WIHT LP CFP2 1X1	
0 PLC ±0.10		PRODUCT SPEC -	SIZE A2	
1 PLC ±0.10		APPLICATION SPEC -	CAGE CODE -	
2 PLC ±0.10		WEIGHT -	DRAWING NO C-23149799	
3 PLC ±0.10		Customer Drawing	RESTRICTED TO -	
4 PLC ±0.05			SCALE 1:1	
ANGLES ±1			SHEET 5 OF 6	
FINISH -			REV 2	

THIS DRAWING IS UNPUBLISHED. RELEASED FOR PUBLICATION 20  
 © COPYRIGHT 20 BY - ALL RIGHTS RESERVED.

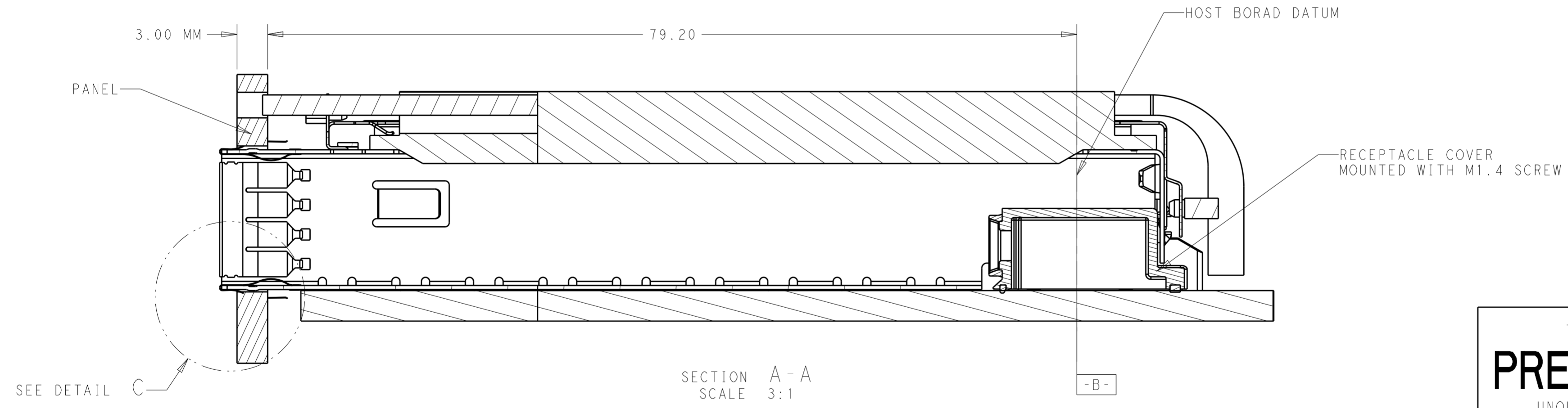
REVISIONS				
P	LTR	DESCRIPTION	DATE	APVD
-	-	SEE SHEET 1	-	-



SCALE 2:1



DETAIL C  
SCALE 10:1



SECTION A-A  
SCALE 3:1

THIS PRINT IS  
**PRELIMINARY**  
 UNQUALIFIED PRODUCT  
 CONTACT PRODUCT ENGINEERING  
 BEFORE USING THIS PRINT

THIS DRAWING IS A CONTROLLED DOCUMENT.		DWN ANDY.XIE 28DEC2016	<b>STE</b> TE Connectivity	
		CHK SEAN.HAN 28DEC2016		
		APVD SEAN.HAN 28DEC2016	NAME HARD WARE KITS WIHT LP CFP2 1X1	
DIMENSIONS: mm		PRODUCT SPEC -	SIZE A2	CAGE CODE -
TOLERANCES UNLESS OTHERWISE SPECIFIED:		APPLICATION SPEC -	DRAWING NO C-2314979	RESTRICTED TO -
MATERIAL SEE NOTES		WEIGHT -	SCALE 1:1	SHEET 6 OF 6
FINISH SEE NOTES		Customer Drawing	REV 2	