

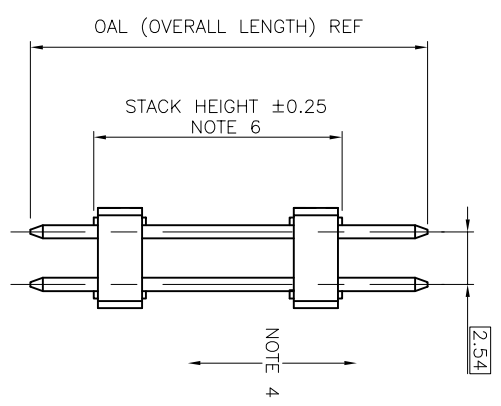
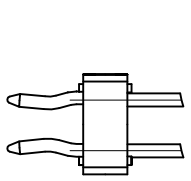
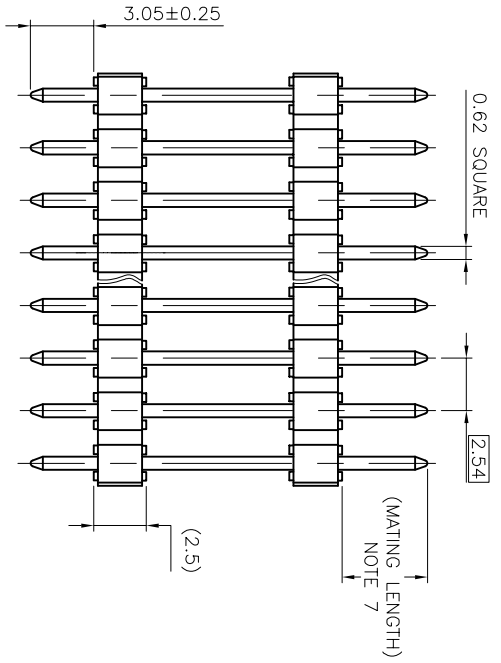
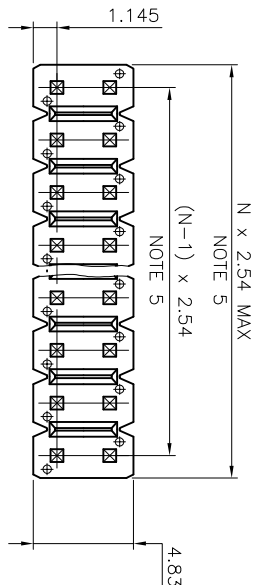
RoHS COMPATIBLE PRODUCT NUMBER
54122-XXXXXXXXXXLF

- PLATING**
- 1 = 0.76µm GOLD/GXT ON CONTACT AREA
2µm MIN MATTE TIN ON TAIL
OVER 1.27µm Ni MIN
 - 8 = 0.38µm GOLD/GXT ON CONTACT AREA
2µm MIN MATTE TIN ON TAIL
OVER 1.27µm Ni MIN
 - 4 = 2µm MIN MATTE TIN
OVER 1.27µm Ni MIN
- INDICATES THE PRODUCT IS ROHS COMPATIBLE SEE NOTE 9
- R : RETENTIVE LEG
NOTE 8
- STACK HEIGHT, NOTE 6
TOTAL NB OF POSITIONS
04 TO 72

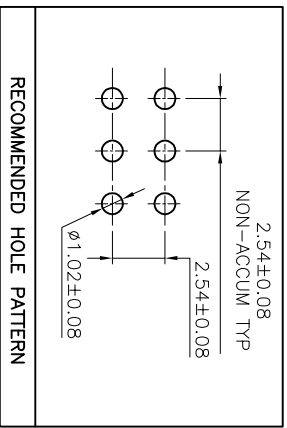
NOTES:

1. HOUSING MAT'L : HIGH TEMPERATURE THERMOPLASTIC. UL94V-0 COLOR: BLACK
2. PIN MATERIAL : PHOSPHOR BRONZE
3. PRODUCT PACKAGED IN PLASTIC BOX
4. 9N MIN RETENTION IN EITHER DIRECTION
5. TO DETERMINE DIMENSIONS :
N = NUMBER OF POSITIONS PER ROW
EXAMPLE : 8 POS PER ROW, N x 2.54 = 20.32mm
6. XXXX = MILLIMETERS
SPECIFY MILLIMETERS
5.0mm MIN TO 60.00mm MAX AVAILABLE
OAL 65.0MM MAX AVAILABLE
EXAMPLE FOR STACK HEIGHT: 1 2 5 0 = 12.5mm
7. MATING LENGTH = (OAL)-(3.05)-(STACK HEIGHT)
8. RETENTION IS APPLIED TO TWO ADJACENT PINS AT EACH END OF THE PRODUCT SEE SCHEMA 1 OMIT FROM PRODUCT NUMBER IF THIS FEATURE IS NOT APPLICABLE
9. ROHS COMPATIBLE PRODUCT SPECIFICATIONS

OAL	PIN STYLE
12.2	01
13.5	02
15.9	03
16.56	15
17.76	04
18.91	05
20.50	28
20.96	07
22.40	19
23.5	08
26.04	09
26.42	14
28.00	18
28.58	10
30.48	20
31.12	11
32.15	21
33.66	12
34.00	13
36.20	16
37.30	22
38.40	23
42.30	24
43.00	25
47.00	26
52.00	27



- c - LABELLING:
- MEETS PACKAGING SPECS AS PER GS-14-920
- d - THIS PRODUCT MEETS EUROPEAN UNION DIRECTIVES AND OTHER COUNTRY REGULATIONS AS DESCRIBED IN GS-47-0004.



mat'l. code	surface	tolerance
SEE NOTES	ISO 1302	ISO 406 ISO 1001
Htr ecn no	dr date	tolerances unless otherwise specified
H F08-0148	RTR 08.03.31	xxx ±0.3
J F10-0252	JCO 10.11.30	linear xxx ±0.13
K F11-0034	LMU 11.03.03	xxx ±0.05
L B-15673	LMU 13.02.14	DLE 01.01.24
		engf J.M.C 01.01.24
F F04-0388	LMU 04.12.16	ch J.M.C 01.01.24
G F06-0198	LMU 06.06.13	qppd J.F.N 01.01.24

FCJ

product family: BERGSTIK

title: UNSHR.HEADER

STR DR TMT

dwg no: 54122

sheet 1 of 1

size: A3

type: CUSTOMER

Drawing