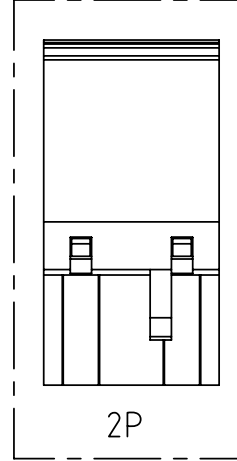
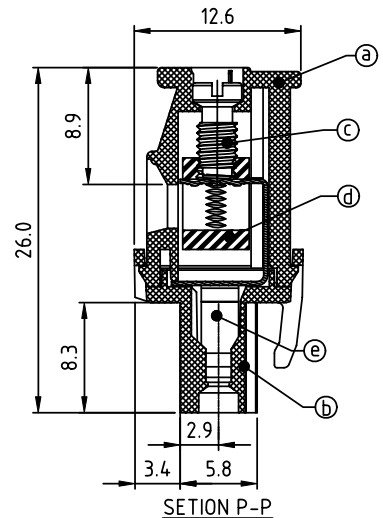
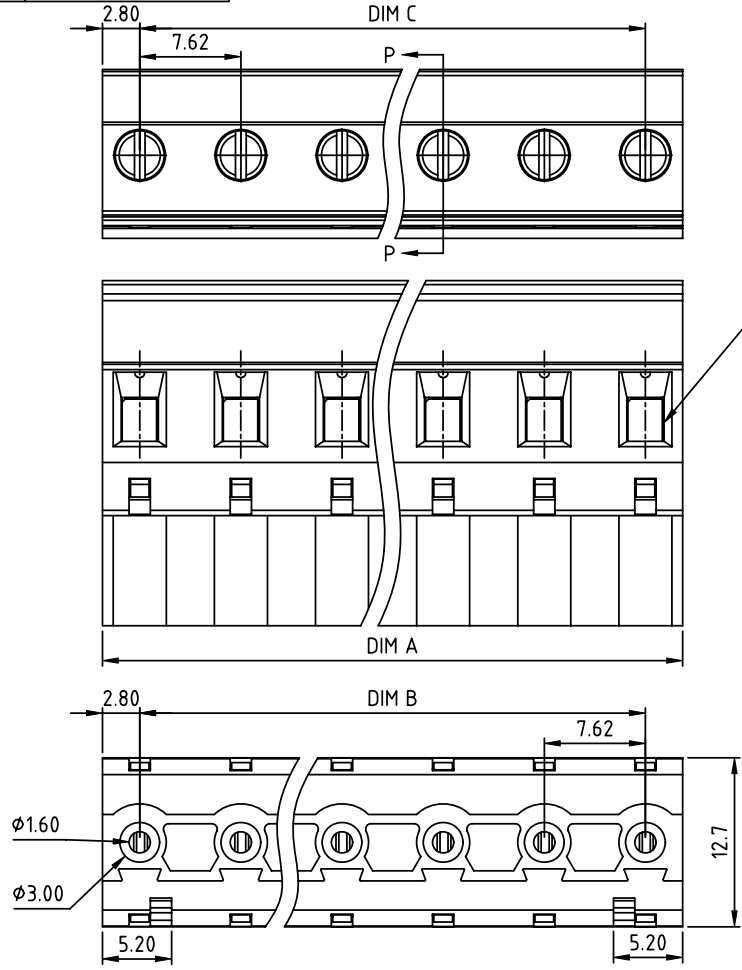


PRODUCT NUMBER	PITCH
TSxx01xB00J0G	7.62 mm



**Material**

- Item (a) Top body: Thermoplastic (UL94V-0)
- Item (b) Bottom body: Thermoplastic (UL94V-0)
- Item (c) Terminal screw: Steel Zinc plating "-" slot type
- Item (d) Clamp: Brass, Ni plated
- Item (e) Female contact: PhBz (CuSn) Tin plated

**Electrical cULus/TUV**

- Voltage rating: 300VAC/750VAC
- Current rating: 15A/15A
- Wire range: 0.2-2.5mm<sup>2</sup>
- Solid wire(AWG): 12-24
- Stranded wire(AWG): 12-24
- Torque: 3.5 Lb-In 0.4Nm
- Screw: M3
- Wire strip length: 6-7mm
- Withstanding Voltage: 1.6KV/6KV
- Operating temperature: -40°C to +115°C
- Safety Approval:

Dim A=(N-1)×7.62+5.6  
 Dim B=(N-1)×7.62  
 Dim C=(N-1)×7.62  
 N=Number of poles

POLES	Tolerance
2p-6p	±0.20
7p-11p	±0.30
12p-16p	±0.40

PART NO.: TS xx 01 x B 00J0 G

- |              |                     |                 |
|--------------|---------------------|-----------------|
|              | Color               | RoHS compliant  |
| Solid block  | 0 Black (RAL9005)   | (lead<4%)       |
| No. of poles | 2 Red (RAL3001/D)   | In copper Alloy |
| 02 2 poles   | 3 Orange(RAL2011/P) |                 |
| 03 3 poles   | 4 Yellow(RAL1018/A) |                 |
| ...          | 5 Green(RAL6018/T)  |                 |
| 16 16 poles  | 6 Blue (RAL5015/A)  |                 |
|              | 8 Grey(RAL7035/D)   |                 |
|              | 9 White(RAL1102)    |                 |
|              | C Green(RAL6018/U)  |                 |

mat'l. code		surface ASME Y14.5	tolerance ASME Y14.5	projection	product family TERMINAL BLOCK	
ltr	ecn no	dr	date	 MM scale	title TERMINAL BLOCK PLUGGABLE PLUG,HOOK ON BACK SIDE,WITHOUT FLANGE	
					sheet 1 of 1 size TSxx01xB00J0G A4	
					type CUSTOMER Drawing	
sheet index	revision	A				
	sheet	1				