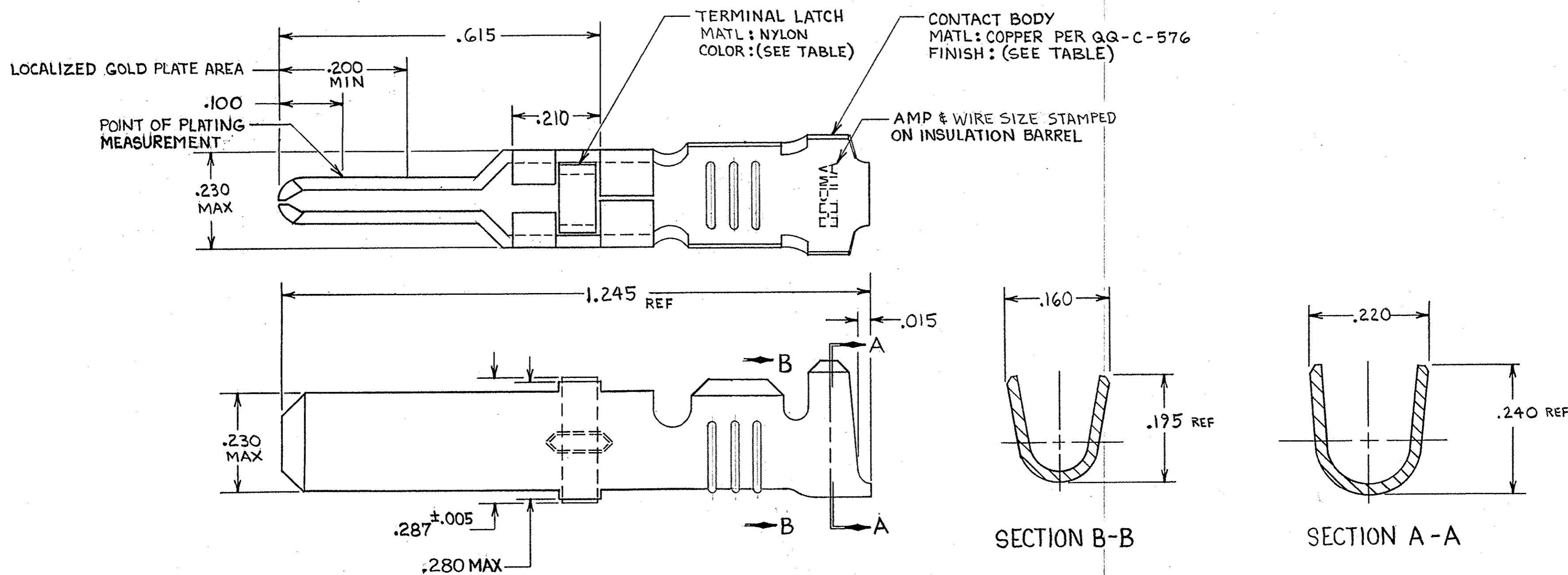


THIS DRAWING IS UNPUBLISHED. RELEASED FOR PUBLICATION

© COPYRIGHT BY

| REVISIONS | | | | | | |
|-----------|---|------|-----|---------------------------|---------|----------|
| P | F | ZONE | LTR | DESCRIPTION | DATE | APPROVED |
| | | | Y1 | REVISED PER ECO-11-005294 | 07APR11 | HMR |



- 1. REELED FOR USE WITH STANDARD APPLICATORS.
- 2. REELED FOR USE WITH HEAVY DUTY MINI-APPLICATORS.
- 3. PLATED WITH .000100 MIN SILVER PER QQ-S-365.
- 4. PLATED WITH .000015 MIN GOLD PER MIL-G-45204 IN THE LOCALIZED GOLD PLATE AREA, GOLD FLASH ON THE REMAINDER, OVER .000030 MIN NICKEL PER QQ-N-290.
- 5. PLATED WITH .000030 MIN GOLD PER MIL-G-45204 IN THE LOCALIZED GOLD PLATE AREA, GOLD FLASH ON THE REMAINDER, OVER .000030 MIN NICKEL PER QQ-N-290.
- 6. PLATED WITH .000050 MIN 93-7% TIN-LEAD ALLOY OVER .000030 MIN NICKEL PER QQ-N-290.
- 7. WIRE RANGE = 12-16 AWG.
- 8. INSULATION RANGE = .140-.165 DIA.
- 9. PLATED TIN (NO LEAD) .000050 MIN THK PER ASTM-B-545 OVER NICKEL .000050 MIN THK PER QQ-N-290.

| TERMINAL LATCH COLOR | FINISH | STRIP ASS'Y P/N REF | STRIP ASS'Y P/N REF | LOOSE PIECE P/N ASS'Y |
|----------------------|--------|---------------------|---------------------|-----------------------|
| BLACK | 3 | 1-66255-2 | 1-66255-1 | 66261-5 |
| NATURAL | 3 | 66255-8 | 66255-7 | 66261-4 |
| BLACK | 4 | 66255-4 | 66255-3 | 66261-3 |
| BLACK | 5 | 66255-6 | 66255-2 | 66261-2 |
| BLACK | 6 | 66255-5 | 66255-1 | 66261-1 |

| | | | | |
|--|-------------|---|--|--|
| UNLESS OTHERWISE SPECIFIED DIMENSIONS ARE IN INCHES. TOLERANCES ON: DECIMALS ±.010 ANGLES ± | CONTRACT NO | | | |
| | MATERIAL | DR. <i>Rick Redbaugh</i> 9-27-85 CHK. <i>Larry G. Lawner</i> 10-1-85 APPD. <i>B. D. Boland</i> 10-1-85 APPD. <i>Kenis E. Smith</i> 10-3-85 | | |
| SEE CALLOUT | FINISH | | NAME | |
| SEE DASH NO | OTHER APPD | | MALE TYPE XII CONTACT LOOSE PIECE ASS'Y | |
| SIZE | | FSCM NO | DRAWING NO | |
| C | | 00779 | 66261 | |
| SCALE | | SHEET | | |
| NTS | | | | |