

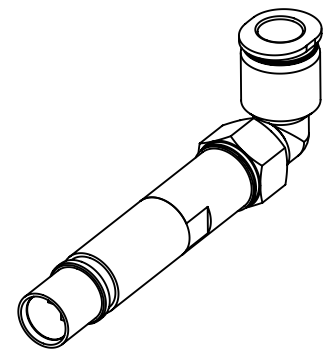
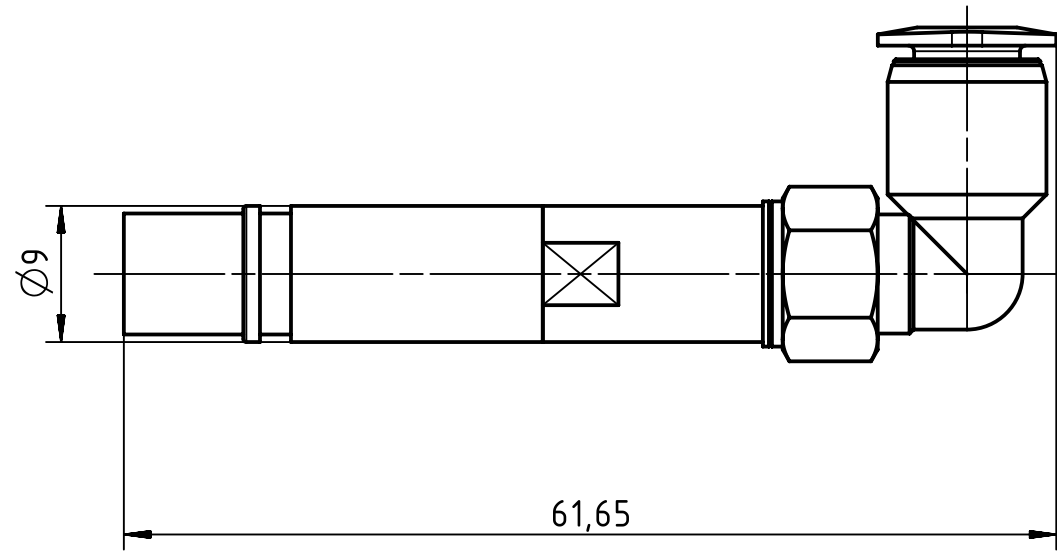
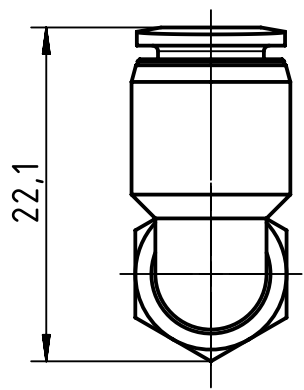
1 2 3 4 5 6

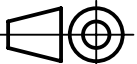

A

B

C

D



 All Dimensions in mm Original Size DIN A4	Scale	Free size tol.			Ref.
	2:1				Sub.
 All rights reserved Department EL PD - DE	Created by	Inspected by	Standardisation	Date	State
	MOELLERLI	BEISCHER	RUETERA	2018-05-16	Final Release
HARTING Electric GmbH & Co. KG D-32339 Espelkamp	Title				Doc-Key / ECM-Nr.
	Pneum. contact metal OD6mm F+valve ang.				100731958/UGD/001/B 500000133860
Type		Number		Rev.	Page
TB		09 14 000 7466		B	1/1