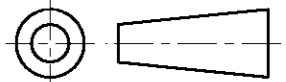


DO NOT SCALE

DIMENSIONS IN mm

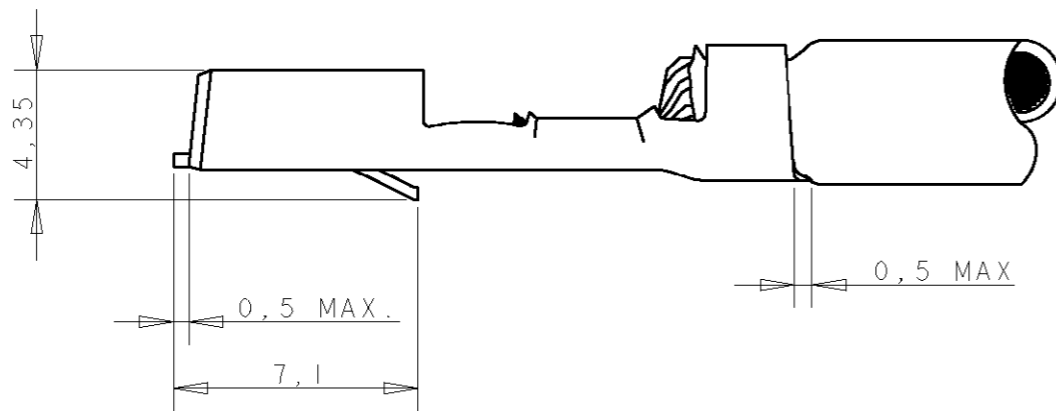
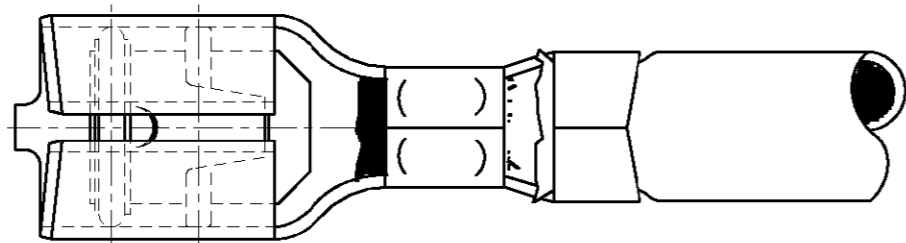
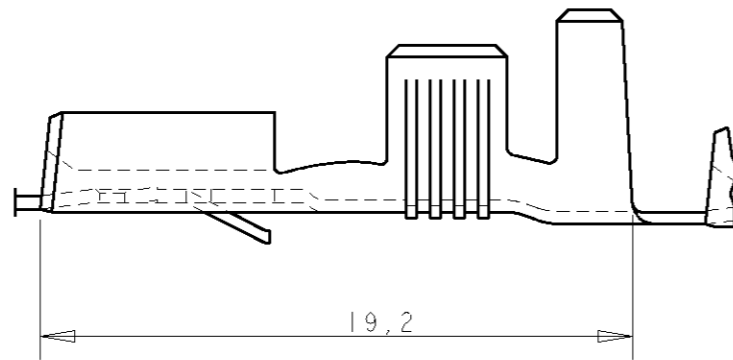
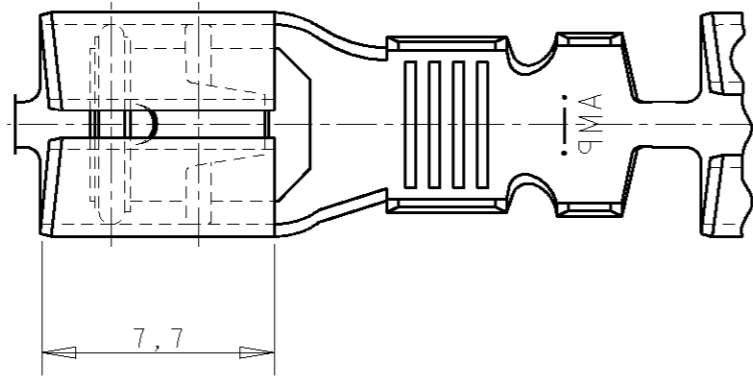
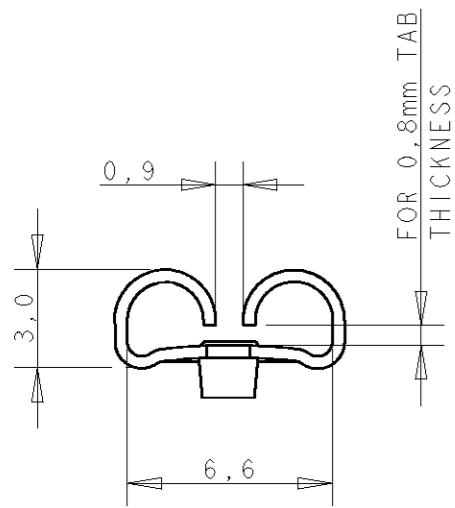
METRIC

THIRD ANGLE
PROJECTION



NOTES:

- 1 FOR USE ON STANDARD AND MINIATURE APPLICATORS.
- 2 REELED WITH PAPER COVER.



WIRE RANGE :
0,5-1,5 mm²
INSULATION RANGE :
1,2-2,4 DIA.

GENERAL TOLERANCES ±0.3

NOTES	FINISH	MATERIAL	PARTNUMBER
-	-	-	-
-	-	-	-
-	-	-	-
-	-	-	-
-	-	-	-
-	-	-	-
-	-	-	-
-	TINPLATING	-	160844-2
-	-	BRASS	-

REV.	DATE	DR.	CHK.	DATE	NAME	DWG. No.	REV. LTR.	SHEET
F	19JUN01	JC	JL	19JUN01	AMP Tyco Electronics AMP Barcelona, Spain 6,3 SRS FASTIN-ON RECEPTACLE	160844	F	1 OF 1
E	30APR01	JC	RS	30APR01				
D	21-06-94	DK	PB	21-06-94				
LTR. REVISION RECORD					DR.	CHK.	DATE	
DR.:	D.KESSLER	CHK.:	P.BEIJNON	APP.:	L.V.SOEST	DWG. No.	REV. LTR.	SHEET
DATE:	21-06-94	DATE:	-	DATE:	-	160844	F	1 OF 1