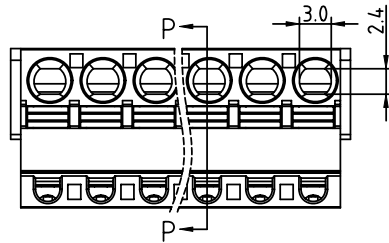


PRODUCT NUMBER	PITCH
H5xx70x000J0G	5.00 mm



Dimension

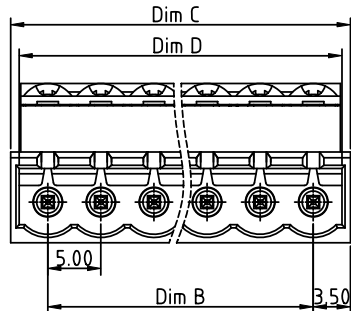
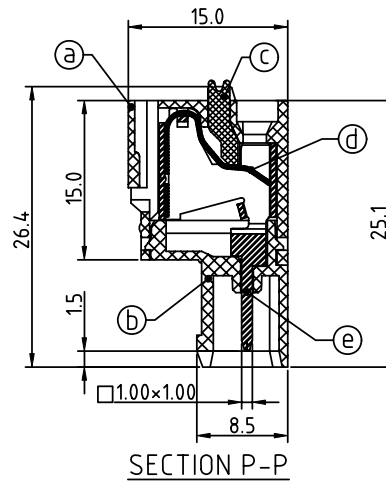
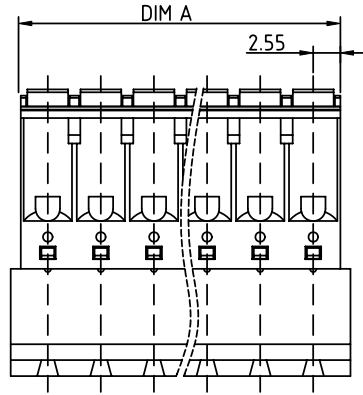
DIM A	$N \times 5.0 + 0.10$
DIM B	$(N-1) \times 5.0$
DIM C	$N \times 5.0 + 2.0$
DIM D	$N \times 5.0 + 0.4$

N=Number of poles

POLES	Tolerance
2p-6p	$\pm 0.20$
7p-12p	$\pm 0.30$
13p-16p	$\pm 0.35$
17p-24p	$\pm 0.40$

PART NO.: H5 xx 7 0 x 0 00J0 G

Solid block	0	Color	Black (RAL9005)	RoHS compliant	(lead<4%)
No. of poles	2		Red (RAL3001/D)	In copper Alloy	
02 2 poles	3		Orange(RAL2011/P)		
03 3 poles	4		Yellow(RAL1018/A)		
...	...		5 Green(RAL6018/T)		
24 24 poles	6		Blue (RAL5015/A)		
	8		Grey(RAL7035/D)		
	9		White(RAL1102)		
	C		Green(RAL6018/U)		



Material:

- Item@Top body:Thermoplastic ( UL94V-0 )
- Item@Bottom body:Thermoplastic ( UL94V-0 )
- Item@Terminal lever:Thermoplastic ( UL94V-0 ) Orange (RAL2001/P)
- Item@Spring clamp:Stainless Steel
- Item@Male contact pin:PhBz ( CuSn ) Tin plated

Electrical

- Voltage rating: 300V
- Current rating: 10A
- Solid wire(AWG): 12-26
- Stranded wire(AWG): 12-26
- Wire strip length: 9-10mm
- Withstanding Voltage: 1.6KV
- Operating temperature: -40°C to +115°C
- Safety Approval:

mat'l. code		surface ASME Y14.5	tolerance ASME Y14.5	projection 	product family TERMINAL BLOCK	
ltr ecn no dr date		tolerances unless otherwise specified		MM 	title TERMINAL BLOCK SPRING CLAMP, PLUGGABLE PLUG MALE CONNECTOR	
		angles $X \pm 0.5$	$X.X \pm 0.3$			scale
		$X^{\circ} \pm 1^{\circ}$	$X.XX \pm 0.1$		dwg no H5xx70x000J0G	
		dr EVIN ZHONG 051614	051614		sheet 1 of 1	size A4
		enr EVIN ZHONG 051614	051614		type CUSTOMER Drawing	
		chr HANKE FENG 051614	051614			
		appd SHI JUN 051614	051614			
sheet index	revision sheet	A	1			