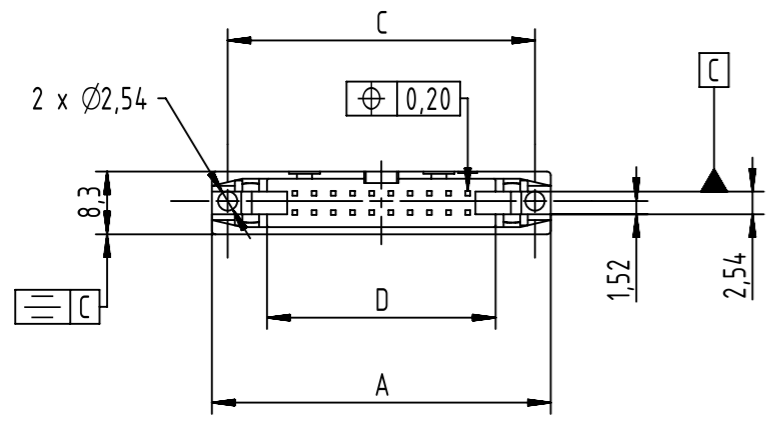
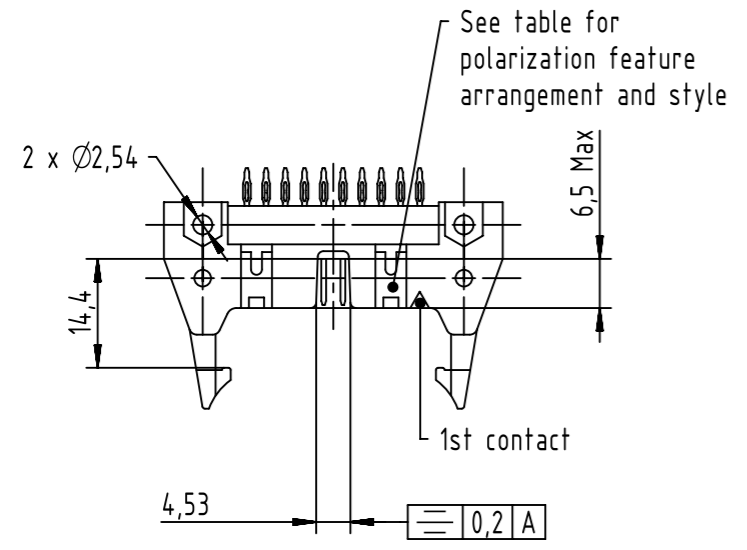
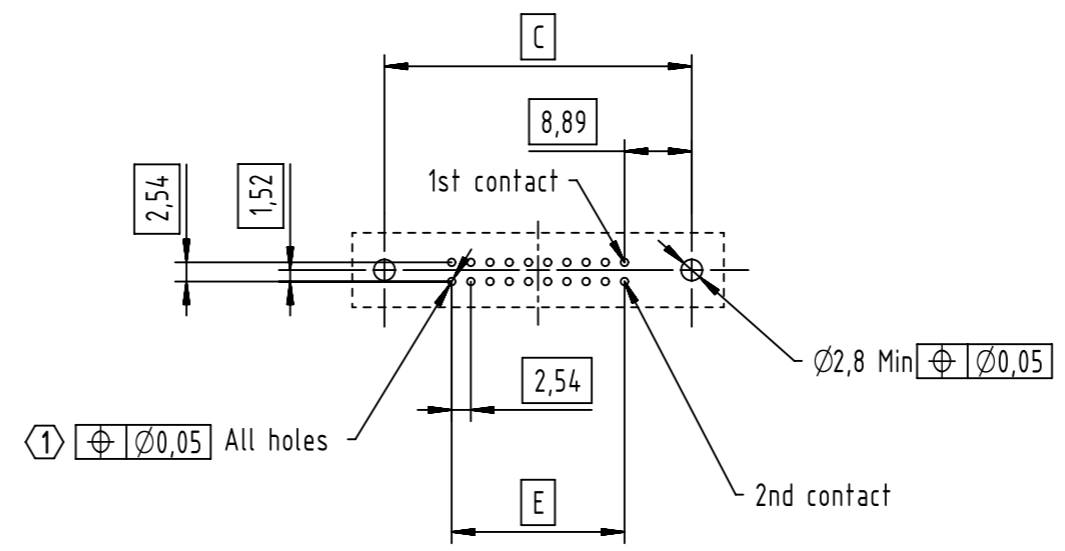


Polarization style table	
	Style A: For connectors 10 poles
	Style B: For connectors from 14 to 64 poles



PC-board layout
view component side



See table for
polarization feature
arrangement and style

① Recommended plated through holes
and further information see: DS 0918500001

	All rights reserved Department EC PD - FR	All Dimensions in mm Original Size DIN A3		Scale 1:1	Free size tol.	Ref.	
		Created by DOUGE	Inspected by BAGDIKIAN	Standardisation HOFFMANN	Date 2013-09-05	State Final Release	
HARTING Electronics GmbH D-32339 Espelkamp		Title SEK male standard press-in long lever				Doc-Key / ECM-Nr. 100548207/UGD/001/A 50000065736	
		Type TB	Number 09185XXX909		Rev. A	Page 1/2	

		Performance Level			Dimensions (mm)				
		S4 : 0,76µm Au or equivalent PdNi	PL2 : 250 mating Cycles 4 day Gas Tests	PL3 : 50 mating Cycles No Gas Tests					
Nb of Contacts	Part Number	Part Number	Part Number	A	C	D	E	G	
10	0918 510 5909	0918 510 6909	0918 510 7909	32,11	27,94	17,91	2,54 x 4 = 10,16	50,11	
14	0918 514 5909	0918 514 6909	0918 514 7909	37,19	33,02	22,99	2,54 x 6 = 15,24	55,19	
16	0918 516 5909	0918 516 6909	0918 516 7909	39,73	35,56	25,53	2,54 x 7 = 17,78	57,73	
20	0918 520 5909	0918 520 6909	0918 520 7909	44,81	40,64	30,61	2,54 x 9 = 22,86	62,81	
26	0918 526 5909	0918 526 6909	0918 526 7909	52,43	48,26	38,23	2,54 x 12 = 30,48	70,43	
34	0918 534 5909	0918 534 6909	0918 534 7909	62,59	58,42	48,39	2,54 x 16 = 40,64	80,59	
40	0918 540 5909	0918 540 6909	0918 540 7909	70,21	66,04	56,01	2,54 x 19 = 48,26	88,21	
50	0918 550 5909	0918 550 6909	0918 550 7909	82,91	78,74	68,71	2,54 x 24 = 60,96	100,91	
60	0918 560 5909	0918 560 6909	0918 560 7909	95,61	91,44	81,41	2,54 x 29 = 73,66	113,61	
64	0918 564 5909	0918 564 6909	0918 564 7909	100,69	96,52	86,49	2,54 x 31 = 78,74	118,69	

	All Dimensions in mm Original Size DIN A3	Scale 1:1	Free size tol.		Ref.
	All rights reserved Department EC PD - FR	Created by DOUGE	Inspected by BAGDIKIAN	Standardisation HOFFMANN	Date 2013-09-05
HARTING Electronics GmbH D-32339 Espelkamp		Title SEK male standard press-in long lever			State Final Release
		Type TB	Number 09185XXX909		Doc-Key / ECM-Nr. 100548207/UGD/001/A 50000065736
					Rev. A Page 2/2