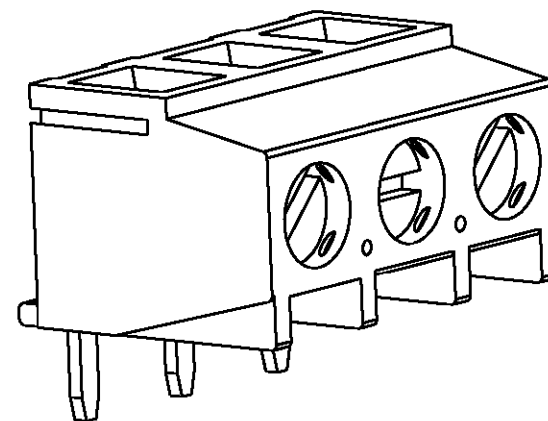
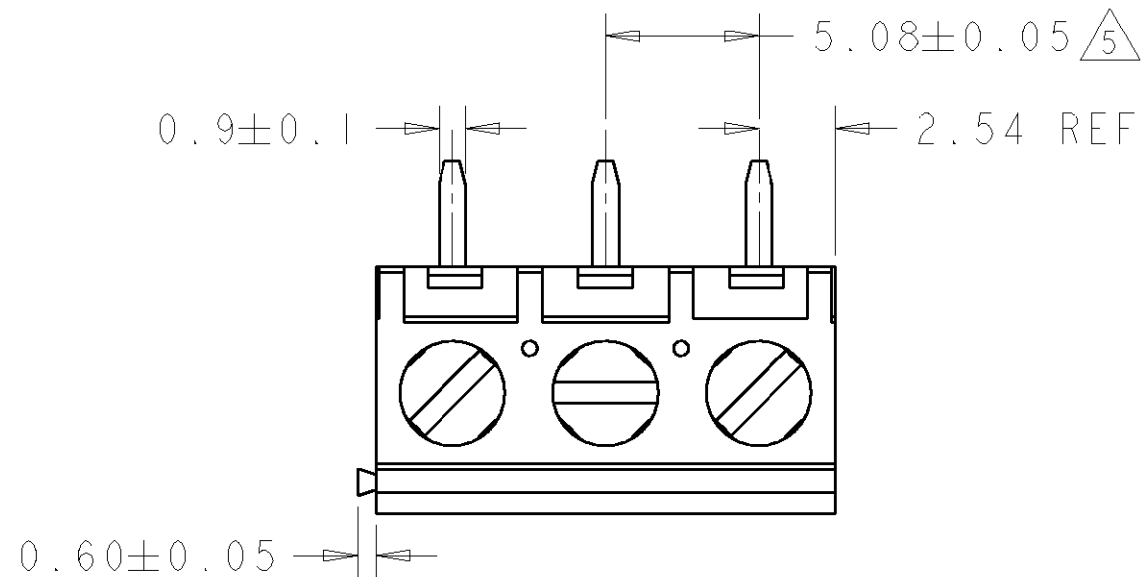


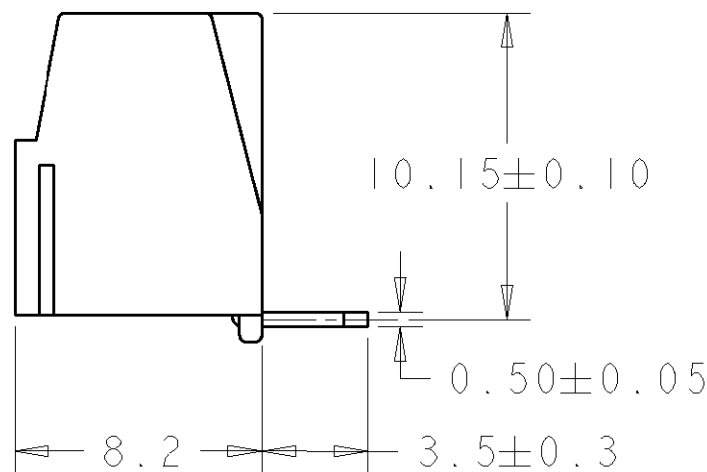
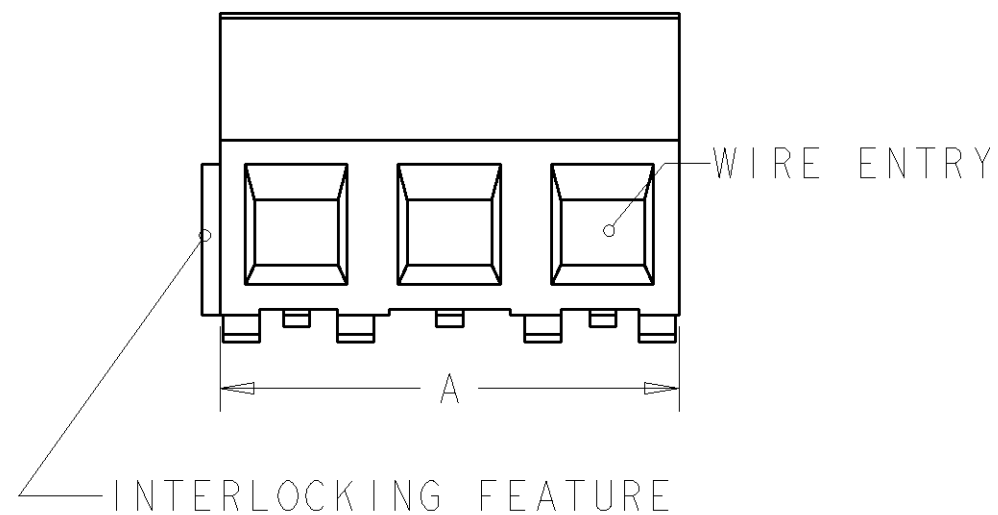
THIS DRAWING IS UNPUBLISHED. RELEASED FOR PUBLICATION 20  
 © COPYRIGHT 20 BY TYCO ELECTRONICS CORPORATION. ALL RIGHTS RESERVED.

LOC	DIST	REVISIONS			
P	LTR	DESCRIPTION	DATE	DWN	APVD
	B	REVISED PER 0G3B-0106-01	26APR2001	EZ	DB
	D	REVISED PER 0G3B-0119-01	10SEP2001	EZ	DB

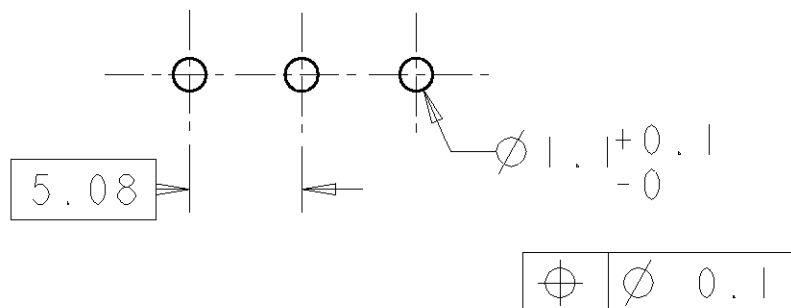


284094-3 AS SHOWN

127.00	25	2-284094-5
121.92	24	2-284094-4
116.84	23	2-284094-3
111.76	22	2-284094-2
106.68	21	2-284094-1
101.60	20	2-284094-0
96.52	19	1-284094-9
91.44	18	1-284094-8
86.36	17	1-284094-7
81.28	16	1-284094-6
76.20	15	1-284094-5
71.12	14	1-284094-4
66.04	13	1-284094-3
60.96	12	1-284094-2
55.88	11	1-284094-1
50.80	10	1-284094-0
45.72	9	284094-9
40.64	8	284094-8
35.56	7	284094-7
30.48	6	284094-6
25.40	5	284094-5
20.32	4	284094-4
15.24	3	284094-3
10.16	2	284094-2
DIM. A	N° OF POS.	PART NUMBER



RECOMMENDED PC BOARD LAYOUT



<small>THIS DRAWING IS A CONTROLLED DOCUMENT FOR TYCO ELECTRONICS CORPORATION. IT IS SUBJECT TO CHANGE AND THE CONTROLLING ENGINEERING ORGANIZATION SHOULD BE CONTACTED FOR THE LATEST REVISION.</small>		DWN 26APR2001 E. ZANOLINI CHK 26APR2001 D. BIEVENOUR APVD 26APR2001 D. BIEVENOUR		<b>BUCHANAN</b> Tyco Electronics Harrisburg, PA 17105-3608	
DIMENSIONS: mm		TOLERANCES UNLESS OTHERWISE SPECIFIED: 0 PLC ± 1 PLC ±0.2 2 PLC ±0.25 3 PLC ± 4 PLC ± ANGLES ±2		NAME TERMINAL BLOCK, PCB MOUNT TOP ENTRY WIRE, STACKING W/INTERLOCK, 5.08mm PITCH	
MATERIAL 		FINISH - 		PRODUCT SPEC 108-20166 APPLICATION SPEC 114-20079 WEIGHT -	
CUSTOMER DRAWING				SIZE A3 CAGE CODE 00779 DRAWING NO C=284094 RESTRICTED TO -	
SCALE NTS				SHEET 1 OF 2 REV D	

4

3

2

1

THIS DRAWING IS UNPUBLISHED.

RELEASED FOR PUBLICATION

20

© COPYRIGHT 20

BY TYCO ELECTRONICS CORPORATION. ALL RIGHTS RESERVED.

LOC

DIST

REVISIONS

FT

0

P

LTR

DESCRIPTION

DATE

DWN

APVD

-

SEE SHEET 1

-

-

-



## MATERIALS AND FINISH

HOUSING: PA 6-6, UL 94-V0, COLOR GREEN.  
 CLAMP: BRASS, NICKEL PLATED.  
 TERMINAL: BRASS, TIN PLATED.  
 CLAMPING SCREW: M3, BRASS, NICKEL PLATED.

- 2 SUITABLE FOR 1,6-2,4mm PC BOARD THICKNESS.
- 3 END-TO-END STACKABLE W/INTERLOCK WITHOUT LOSS OF CENTERLINE SPACING.
- 4 WIRE SIZE RANGE  
 SOLID WIRE: 0,03-1,5mm<sup>2</sup> (15AWG).  
 STRANDED WIRE: 0,03-1mm<sup>2</sup> (17AWG).

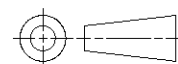


NOT CUMULATIVE TOLERANCE.

THIS DRAWING IS A CONTROLLED DOCUMENT FOR TYCO ELECTRONICS CORPORATION  
 IT IS SUBJECT TO CHANGE AND THE CONTROLLING ENGINEERING ORGANIZATION  
 SHOULD BE CONTACTED FOR THE LATEST REVISION.

## DIMENSIONS:

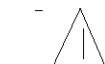
mm



## TOLERANCES UNLESS OTHERWISE SPECIFIED:

0 PLC ±  
 1 PLC ±0.15  
 2 PLC ±0.2  
 3 PLC ±  
 4 PLC ±  
 ANGLES ±2

## MATERIAL



## FINISH



DWN 26APR2001

E. ZANOLINI

CHK 26APR2001

D. BIEVENOUR

APVD 26APR2001

D. BIEVENOUR

PRODUCT SPEC

-

APPLICATION SPEC

-

WEIGHT

-

**BUCHANAN**

Tyco Electronics  
 Harrisburg, PA 17105-3608

NAME

TERMINAL BLOCK, PCB MOUNT  
 TOP ENTRY WIRE, STACKING  
 W/INTERLOCK, 5.08mm PITCH

SIZE

CAGE CODE

DRAWING NO

RESTRICTED TO

A3

00779

C-284094

-

CUSTOMER DRAWING

SCALE NTS

SHEET 2 OF 2

REV D