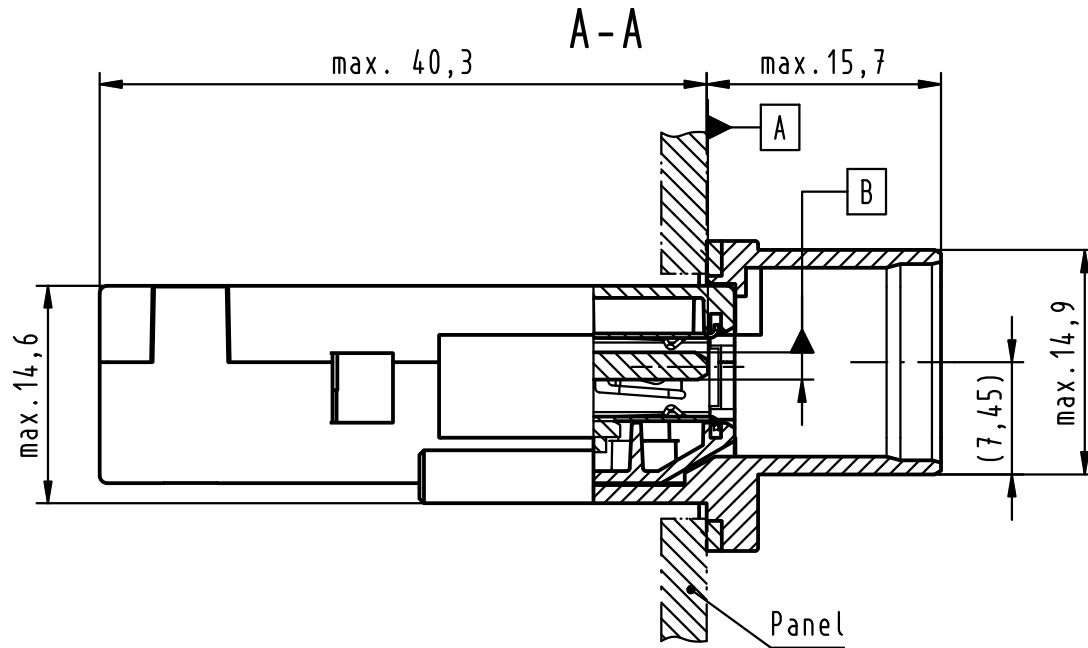
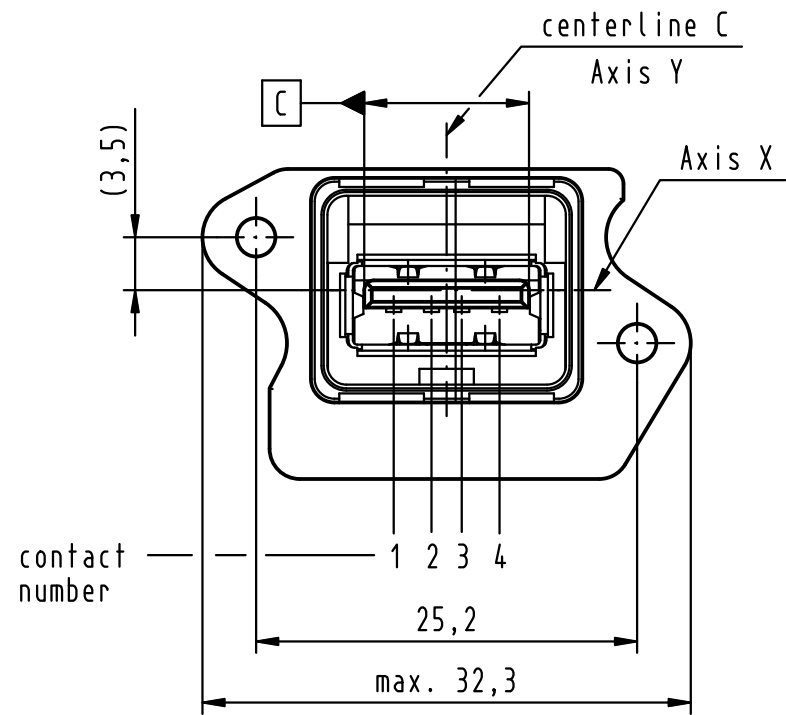
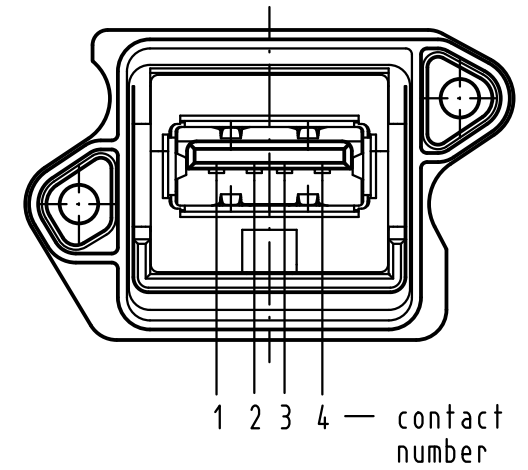


Alle Rechte vorbehalten/ All rights reserved

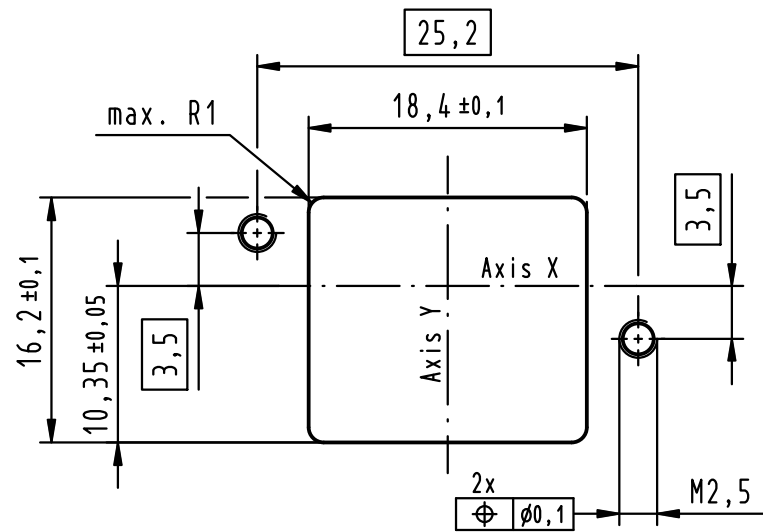
USB 2.0 type A



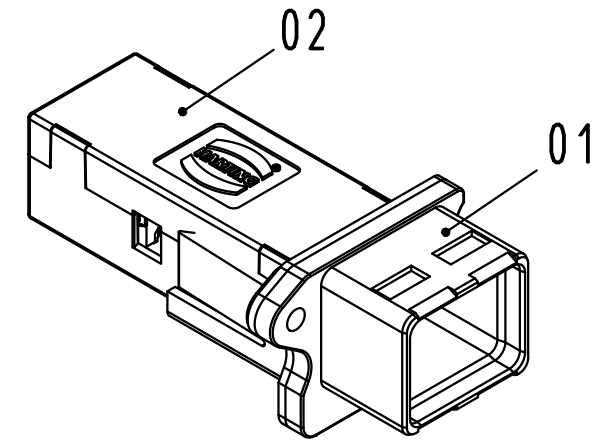
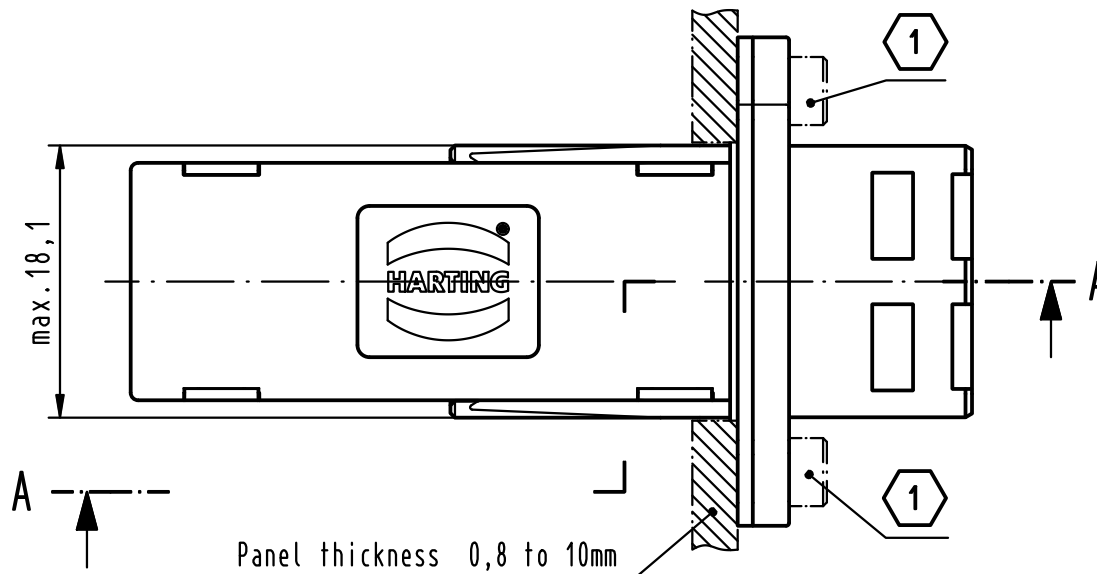
USB 2.0 type A



Panel Cutting



Connector pitch on panel:
Axis X = 27mm and Axis Y = 21mm



further information see: DS 09 45 623 02 02

① Screwing 2x M2,5 screws between 0,3 - 0,5Nm, screw acc. to ISO 4762 order please separately

References A, B and C acc. to USB specification 2.0, www.usb.org

loading-plan

V Bus	1	————	1
D-	2	————	2
D+	3	————	3
GND	4	————	4
Shield	Shell	————	Shell

02	1	USB 2.0 HIFF Bulkhead coupler type A-A	09 45 545 1901													
01	1	HPP housing compact	09 45 545 0028													
pos.	number	description	part-number													
		Techn. Character.	Nicht tolerierte Maß/Free size tolerances													
All Dimensions in mm Original Size DIN A 3		<table border="1"> <tr> <td></td> <td>Dat.</td> <td>Name</td> <td rowspan="4">Maßstab/Scale 2:1</td> </tr> <tr> <td>Detail.</td> <td>02.05.11</td> <td>HL.</td> </tr> <tr> <td>Insp.</td> <td>02.05.11</td> <td>Lue.</td> </tr> <tr> <td>Stand.</td> <td></td> <td></td> </tr> </table>		Dat.	Name	Maßstab/Scale 2:1	Detail.	02.05.11	HL.	Insp.	02.05.11	Lue.	Stand.			HARTING PushPull Compact panel feed through USB 2.0 Type A
	Dat.	Name	Maßstab/Scale 2:1													
Detail.	02.05.11	HL.														
Insp.	02.05.11	Lue.														
Stand.																
36124	HARTING Electronics GmbH & Co. KG D-32339 ESPELKAMP		TB 09 45 245 1902													
Mod.	Dat.	Name	Sub.													

Blatt/ page