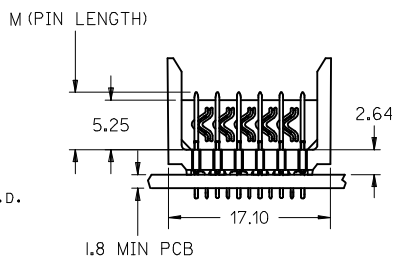
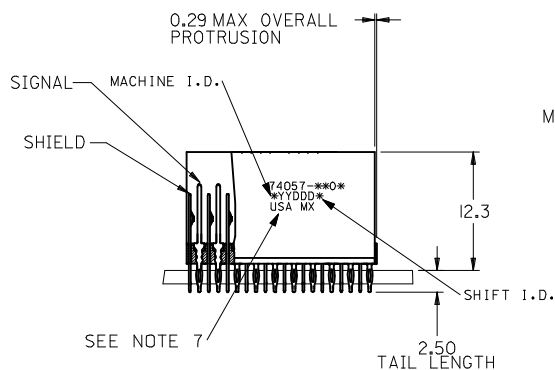


BACKPLANE HOLE PATTERN
RECOMMENDED DIMENSIONS



NOTES:

1. MATERIALS:
HOUSING - LIQUID CRYSTAL POLYMER (LCP),
GLASS-FILLED, UL 94V-0, COLOR: BLACK
SIGNAL PIN & SHIELD - COPPER ALLOY
2. FINISHES:
CONTACT AREA: SELECTIVE GOLD (Au)
PCB TAILS: SELECTIVE MATTE TIN (Sn)
NICKEL (Ni) OVERALL.
3. THIS PART CONFORMS TO MOLEX PRODUCT SPECIFICATION PS-74031-999
4. FOR MIXED CONTACT LENGTHS CONSULT MOLEX FOR AVAILABILITY
5. FOR SPECIFIC MATERIAL NUMBERS & MATING INFORMATION REFER TO SHEET 2
6. PACKAGE PER PK-74057-003
7. EITHER MARK PART WITH PART NUMBER & DATE CODE APPROXIMATELY WHERE SHOWN OR PLACE LABEL ON THE TUBE.
8. MAPS (MOLEX ADVANCED PLATING SYSTEM)

REV DIMENSION G11 EC NO: UCP2015-1477 DRWN:MWOLFE 2014/10/09 CHKD:SYANG 2014/10/09 APPR:SMILLER 2014/10/17	QUALITY SYMBOLS ▽=0 ▽=0 ▽=0	GENERAL TOLERANCES (UNLESS SPECIFIED)		DIMENSION STYLE	SCALE	DESIGN UNITS	THIRD ANGLE PROJECTION	
				MM ONLY	2.5:1	METRIC		
				DRAWN BY	DATE	TITLE		
				CHECKED BY	DATE	VHDM 6 ROW OPEN END BACKPLANE SALES ASSEMBLY		
				APPROVED BY	DATE			
				SMILLER	2012/05/23	DOCUMENT NO. SD-74057-002 SHEET NO. 1 OF 2		
		ANGULAR ±1/2°		SEE SHEET 2 THIS DRAWING CONTAINS INFORMATION THAT IS PROPRIETARY TO MOLEX INCORPORATED AND SHOULD NOT BE USED WITHOUT WRITTEN PERMISSION				
DRAFT WHERE APPLICABLE MUST REMAIN WITHIN DIMENSIONS								

PART NUMBER	COLUMN	NUMBER OF SIGNAL PIN	NUMBER OF SHIELD	A	B	M	GOLD THICKNESS MICROMETER	TIN THICKNESS MICROMETER
74057-6001							0.25 MAPS	
74057-9001	10	60	10	20.00	18.00		0.76	
74057-9006							1.27	
74057-6501							0.25 MAPS	
74057-9501	15	90	15	30.00	28.00	4.75	0.76	
74057-9506							1.27	
74057-7001							0.25 MAPS	
74057-8501	25	150	25	50.00	48.00		0.76	
74057-8506							1.27	
74057-6002	10	60	10	20.00	18.00		0.25 MAPS	
74057-9002							0.76	
74057-9007							1.27	
74057-6502							0.25 MAPS	
74057-9502	15	90	15	30.00	28.00	6.25	0.76	
74057-9507							1.27	
74057-7002	25	150	25	50.00	48.00		0.25 MAPS	
74057-8502							0.76	
74057-8507							1.27	
74057-6003							0.25 MAPS	
74057-9003	10	60	10	20.00	18.00		0.76	
74057-9008							1.27	
74057-6503							0.25 MAPS	
74057-9503	15	90	15	30.00	28.00	4.25	0.76	
74057-9508							1.27	
74057-7003	25	150	25	50.00	48.00		0.25 MAPS	
74057-8503							0.76	
74057-8508							1.27	
74057-6004							0.25 MAPS	
74057-9004	10	60	10	20.00	18.00		0.76	
74057-9009							1.27	
74057-6504							0.25 MAPS	
74057-9504	15	90	15	30.00	28.00	5.15	0.76	
74057-9509							1.27	
74057-7004							0.25 MAPS	
74057-8504	25	150	25	50.00	48.00		0.76	
74057-8509							1.27	

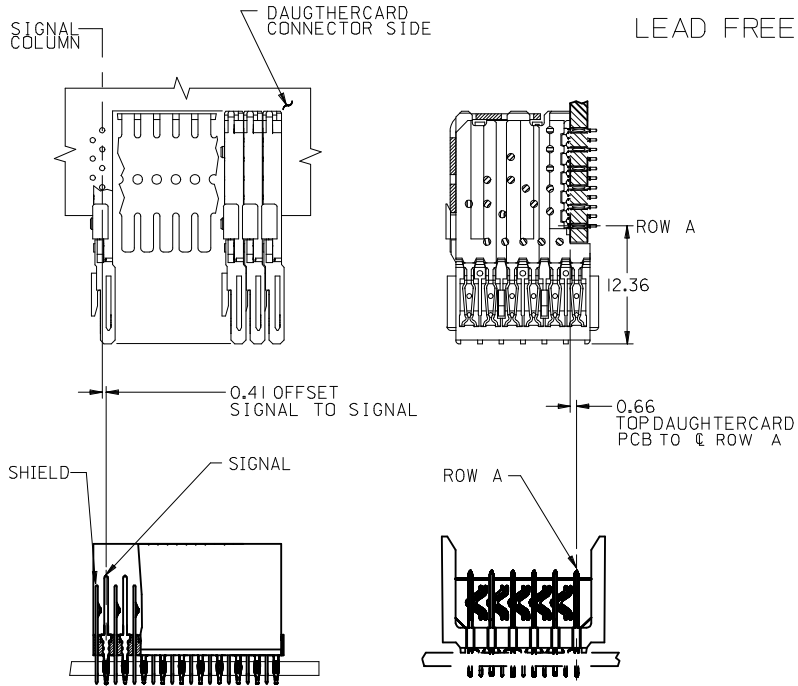
PART NUMBER	COLUMN	NUMBER OF SIGNAL PIN	NUMBER OF SHIELD	A	B	M	GOLD THICKNESS MICROMETER	TIN THICKNESS MICROMETER
74057-1001							0.76	
74057-1006	10	60	10	20.00	18.00		1.27	
74057-1501							0.76	
74057-1506	15	90	15	30.00	28.00	4.75	1.27	
74057-2501							0.76	
74057-2506	25	150	25	50.00	48.00		1.27	
74057-1002	10	60	10	20.00	18.00		0.76	
74057-1007							1.27	
74057-1502	15	90	15	30.00	28.00	6.25	0.76	
74057-1507							1.27	
74057-2502	25	150	25	50.00	48.00		0.76	
74057-2507							1.27	
74057-1003	10	60	10	20.00	18.00		0.76	
74057-1008							1.27	
74057-1503							0.76	
74057-1508	15	90	15	30.00	28.00	4.25	1.27	
74057-2503							0.76	
74057-2508	25	150	25	50.00	48.00		1.27	
74057-1004	10	60	10	20.00	18.00		0.76	
74057-1009							1.27	
74057-1504	15	90	15	30.00	28.00	5.15	0.76	
74057-1509							1.27	
74057-2504							0.76	
74057-2509	25	150	25	50.00	48.00		1.27	

LEAD FREE
(FORMERLY TIN/LEAD) CHART

0.76-152

0.76-152

LEAD FREE CHART



74057 - * * 0 *

NUMBER OF COLUMNS/PLATING ——— PIN HEIGHT
 10 = 10 COLUMN MATTE TIN (FORMERLY TIN/LEAD) 1 & 6 = 4.75
 15 = 15 COLUMN MATTE TIN (FORMERLY TIN/LEAD) 2 & 7 = 6.25
 25 = 25 COLUMN MATTE TIN (FORMERLY TIN/LEAD) 3 & 8 = 4.25
 60 = 10 COLUMN MATTE TIN (MAPS) 4 & 9 = 5.15
 65 = 15 COLUMN MATTE TIN (MAPS)
 70 = 25 COLUMN MATTE TIN (MAPS)
 90 = 10 COLUMN MATTE TIN
 95 = 15 COLUMN MATTE TIN
 85 = 25 COLUMN MATTE TIN

SEE SHEET 1 EC NO: UCP2015-1477 DRWINWOLFE 2014/10/09 CHKD:SYANG 2014/10/09 APPR:SMILLER 2014/10/17	QUALITY SYMBOLS ∇=0 ∇=0 ∇=0	GENERAL TOLERANCES (UNLESS SPECIFIED)	DIMENSION STYLE MM ONLY	SCALE 2.5:1	DESIGN UNITS METRIC	THIRD ANGLE PROJECTION												
		<table border="1"> <tr><th>mm</th><th>INCH</th></tr> <tr><td>4 PLACES ± ---</td><td>± ---</td></tr> <tr><td>3 PLACES ± ---</td><td>± ---</td></tr> <tr><td>2 PLACES ± 0.25</td><td>± ---</td></tr> <tr><td>1 PLACE ± 0.38</td><td>± ---</td></tr> <tr><td>0 PLACE ± ---</td><td>± ---</td></tr> </table>	mm	INCH	4 PLACES ± ---	± ---	3 PLACES ± ---	± ---	2 PLACES ± 0.25	± ---	1 PLACE ± 0.38	± ---	0 PLACE ± ---	± ---	DRAWN BY DATE MWANG 1998/11/09 CHECKED BY DATE JLAURX 1998/11/09 APPROVED BY DATE SMILLER 2012/05/23	VHDM 6 ROW OPEN END BACKPLANE SALES ASSEMBLY molex		
		mm	INCH															
		4 PLACES ± ---	± ---															
3 PLACES ± ---	± ---																	
2 PLACES ± 0.25	± ---																	
1 PLACE ± 0.38	± ---																	
0 PLACE ± ---	± ---																	
ANGULAR ±1/2°	MATERIAL NO. SEE TABLE	DOCUMENT NO. SD-74057-002	SHEET NO. 2 OF 2															
DRAFT WHERE APPLICABLE MUST REMAIN WITHIN DIMENSIONS		THIS DRAWING CONTAINS INFORMATION THAT IS PROPRIETARY TO MOLEX INCORPORATED AND SHOULD NOT BE USED WITHOUT WRITTEN PERMISSION																