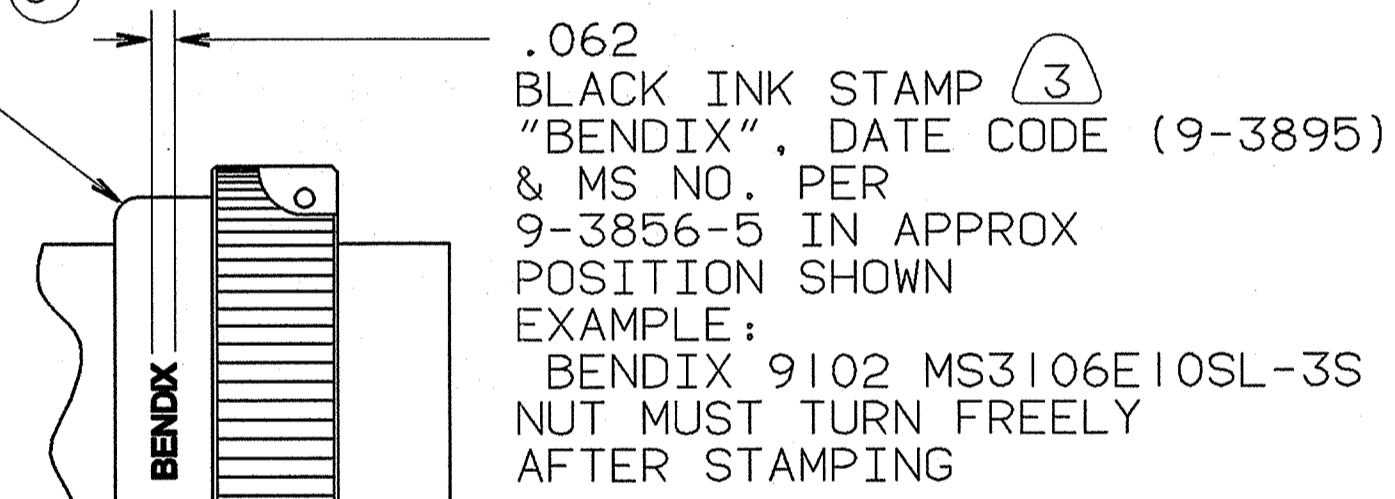
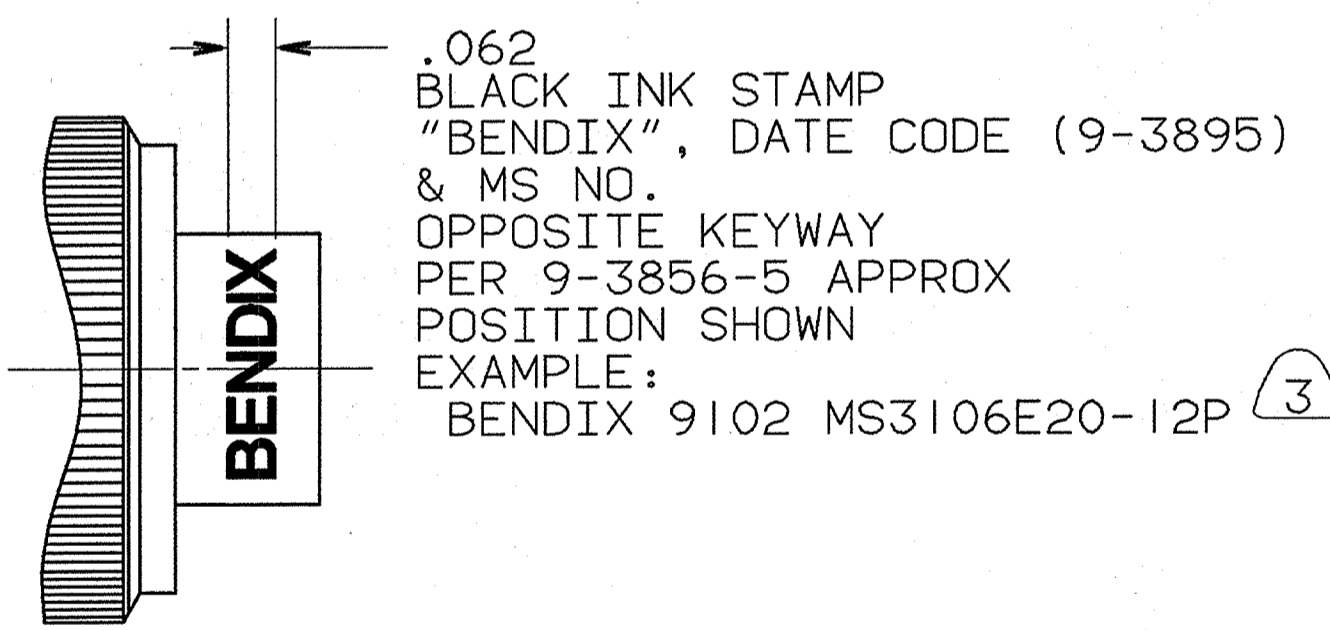
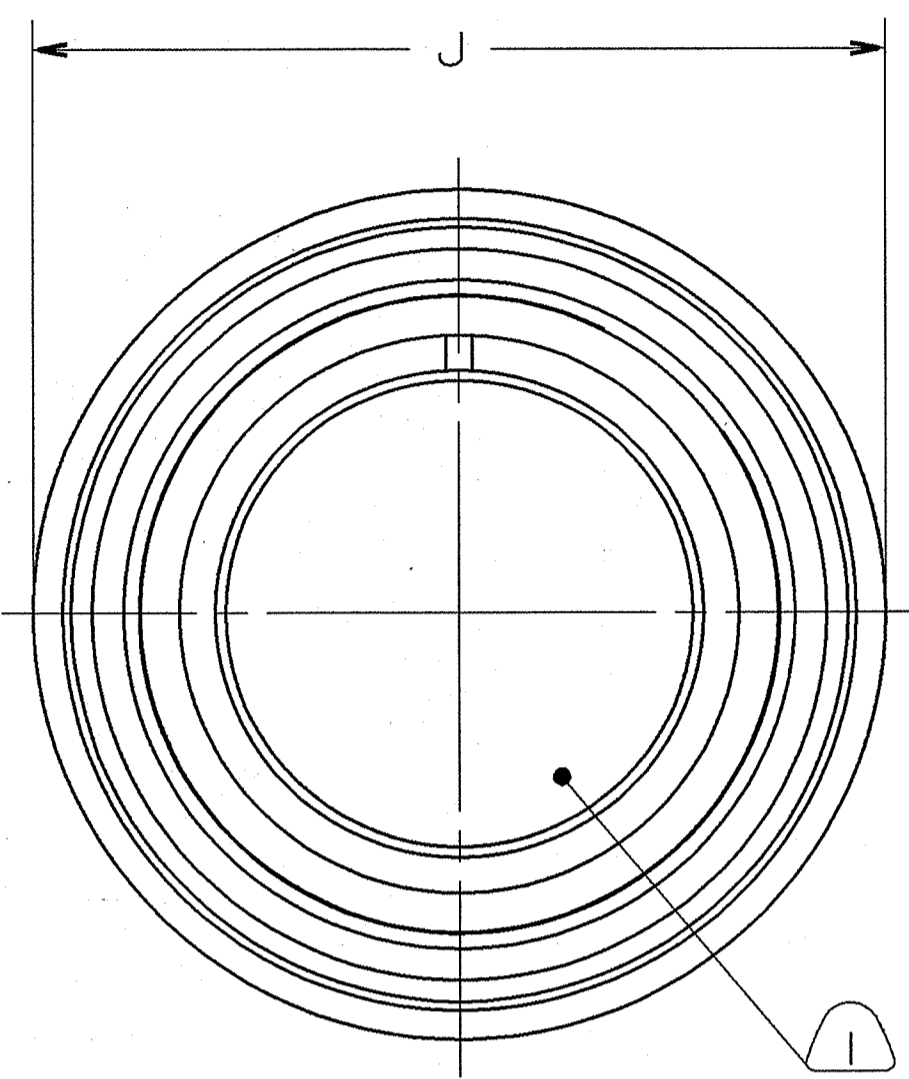
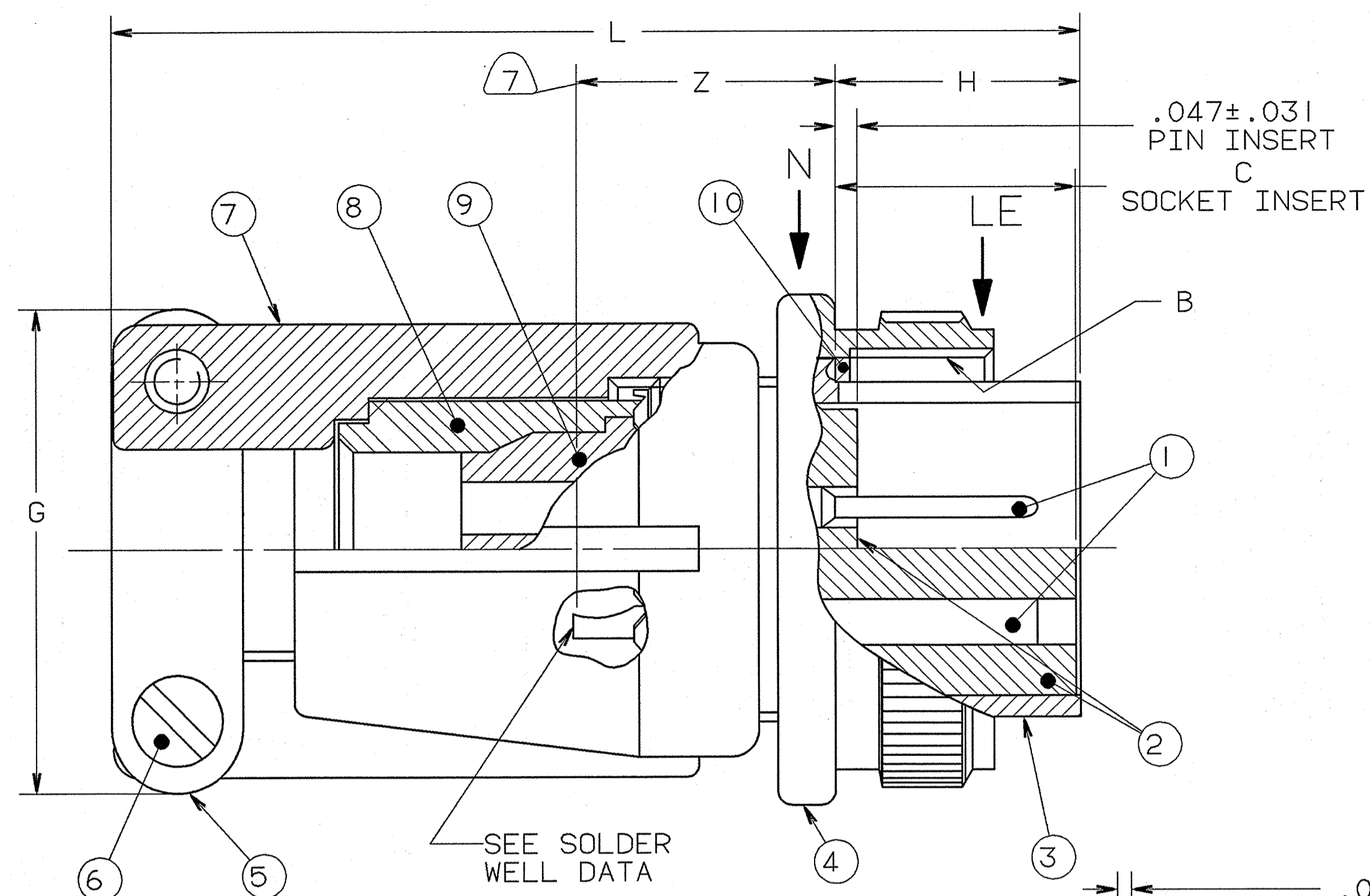


REVISIONS				
ZONE	LTR	DESCRIPTION	DATE	APPROVED
✓	A	INITIAL RELEASE NUM: 70091-082		



FIND NO.	QTY REQD.	FSCM NO.	PART NUMBER	DESCRIPTION	NOTE REF.
10	1		10-35957-XX1	GASKET	
9	1		10-60711/740-()	GROMMET	
8	1		10-584752-XX	SLEEVE	
7	1		10-584754-XX3	CLAMP NUT	
6	2		SEE COLUMN	SCREWS	
5	2		SEE COLUMN	CLAMP BAR	
4			SEE COLUMN	COUPLING	
3	1		SEE COLUMN	SHELL	
2	1		10-748XX-()	INSERT	9
1			SEE NOTE 2	CONTACTS	9

UNLESS OTHERWISE SPECIFIED  
 LINEAR DIMENSIONS ARE IN  
 INCHES.  
 TOLERANCES: .XXX±.010,  
 .XX ±.03, .X ±.1,  
 ANGLES ±2°.  
 OTHER STANDARDS PER 9-3800  
 AND DOD-D-1000.  
 NOTE REF. = (XX)

COMPANY ID: 2  
 CODED/MS/CUST: Y  
 INTERNAL: N  
 LOTNO: N  
 DATE CODE: 9-3895  
 SEE PRINT: N

PARTS LIST				AMPHENOL CORPORATION BENDIX CONNECTOR OPERATIONS SIDNEY, N.Y.	
SPECIFICATIONS	SIGNATURES	DATES	CONNECTOR, ELECTRICAL PLUG, TYPE MS3106E		
MATERIAL SPEC.	PREPARED MCELLIGOTT	01/03/91			
N/A	CHECKED K. Shaw	1/21/91			
	APPROVED K. Shaw	1/21/91			
PROCESS SPEC.	APPROVED K. Shaw	1-22-91	SIZE	FSCM NO.	REV.
SEE NOTE 10	1ST PART QTY.		C	77820	A
			SCALE	WT.	
			NONE		
				REF	
				10-169608/650	
				SHEET	
				1 OF 2	

SEE SHEET 2  
 NOTES:

THE USE OF THIS DOCUMENT IS UNLIMITED.  
 HOWEVER, DOCUMENTS REFERENCED HEREON  
 MAY CONTAIN LIMITED RIGHTS DATA.

N/A  
 N/A  
 NEXT ASSEMBLY

ASSEMBLY NUMBER	MS NO.	CLAMP BAR (2 REQ'D)	SCREW (2 REQ'D)	SHELL	COUPLING NUT	B. THREAD CLASS 2B	C +.047 -.000	G MAX	H ±.005	J DIA MAX	L MAX	Z MAX
10-169658-()	NOT AVAILABLE											
10-169660-()	NOT AVAILABLE											
10-169661-()	3106E10SL-()	10-825942-176	10-816107	10-113488-11	(SHELL ASSY)	.6250-24UNEF	.531	.896	.531	.946	2.129	.607
10-169662-()	3106E12S-()	-176		10-37266-12	10-37265-12	.7500-20UNEF	.531	.896	.531	.995	2.129	.607
10-169663-()	3106E12-()	-176			-13	.7500-20UNEF	.719	.896	.719	.995	2.129	.857
10-169664-()	3106E14S-()	-177			-14	.8750-20UNEF	.531	1.021	.531	1.123	2.201	.607
10-169665-()	3106E14-()	-177			-15	.8750-20UNEF	.719	1.021	.719	1.123	2.524	.857
10-169666-()	3106E16S-()	-178	10-816108		-16	1.0000-20UNEF	.531	1.151	.531	1.250	2.201	.607
10-169667-()	3106E16-()	-178	10-816108		-17	1.0000-20UNEF	.719	1.151	.719	1.250	2.524	.857
10-169668-()	3106E18-()	-179	10-101152-123		-18	1.1250-18UNEF		1.242		1.333	2.596	
10-169670-()	3106E20-()	-180	10-101151-143		-20	1.2500-18UNEF		1.499		1.461	2.654	
10-169672-()	3106E22-()	-180	10-101151-143		-22	1.3750-18UNEF		1.499		1.588	2.654	
10-169674-()	3106E24-()	-181	10-101151-183		-24	1.5000-18UNEF		1.781		1.715	2.885	
10-169678-()	3106E28-()	-181	10-101151-183		-28	1.7500-18UNS		1.781		1.968	2.885	
10-169682-()	3106E32-()	-182	10-816124-2		-32	2.0000-18UNS		2.087		2.209	2.943	
10-169686-()	3106E36-()	-183	10-816124-2		-36	2.2500-16UN		2.281		2.463	2.943	
10-169690-()	3106E40-()	10-130511-343	10-130512-223		-40	2.5000-16UN		2.581		2.718	3.068	

5

SOLDER WELL DATA						THERMOCOUPLE	
CONTACT SIZE	0	4	8	12	16	12	16
WELL DIA	.469 <sup>+.005</sup> <sub>-.003</sub>	.332 <sup>+.005</sup> <sub>-.003</sub>	.209 <sup>+.004</sup> <sub>-.002</sub>	.116 <sup>+.004</sup> <sub>-.002</sub>	.078 <sup>+.004</sup> <sub>-.002</sub>	.125 <sup>+.004</sup> <sub>-.002</sub>	.094 <sup>+.004</sup> <sub>-.002</sub>
WELL DEPTH <sup>+.031</sup> <sub>-.000</sub>	.625	.625	.500	.375	.250	.250	.188

THERMOCOUPLE	
MATERIAL	IDENTIFICATION
CHROMEL	WHITE
ALUMEL	GREEN
IRON	BLACK
CONSTANTAN	YELLOW

8. PACKAGE PER PRODUCTION PROCESS SHEET.
7. FOR SIZE "0" CONTACT ONLY, INCREASE Z DIMENSION BY .312 FOR SHELL SIZES 8 THRU 40.
6. UNITS MEET THE REQUIREMENTS OF MIL-C-5015.
5. TO COMPLETE, ADD APPLICABLE INSERT ARRANGEMENT SUFFIX PER 9-2437.
4. FOR MATING CONNECTOR ASSEMBLIES, SEE DRAWING 10-169058/090 AND OTHERS.
3. SEE WORK ORDER FOR PERMISSIBLE ADDITIONAL OR ALTERNATE STAMPING.
2. SEE SEPARATE PARTS LIST FOR COMPONENT PART NUMBERS AND QUANTITIES.
1. FOR CONTACT SIZE, SPACING AND SERVICE RATING, SEE MIL-STD-1651.
12. ALL UNUSED GROMMET HOLES MUST BE FILLED SEALING PLUGS.
11. ALL LOCKWIRE HOLES ARE .045 DIA MIN.
10. PROCESS SPEC:  
ASSY 9-3103-1  
TEST 9-3106-5  
9-2437, 9-3856-5, 9-3895
9. INSERTS AND CONTACTS ARE REMOVABLE.

10-169658/690