

# Customer Information Sheet

DRAWING No.: M80-486XXXX

SHEET 2 OF 2

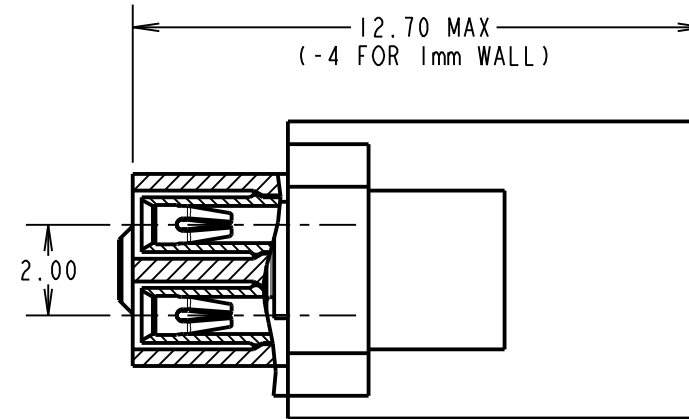
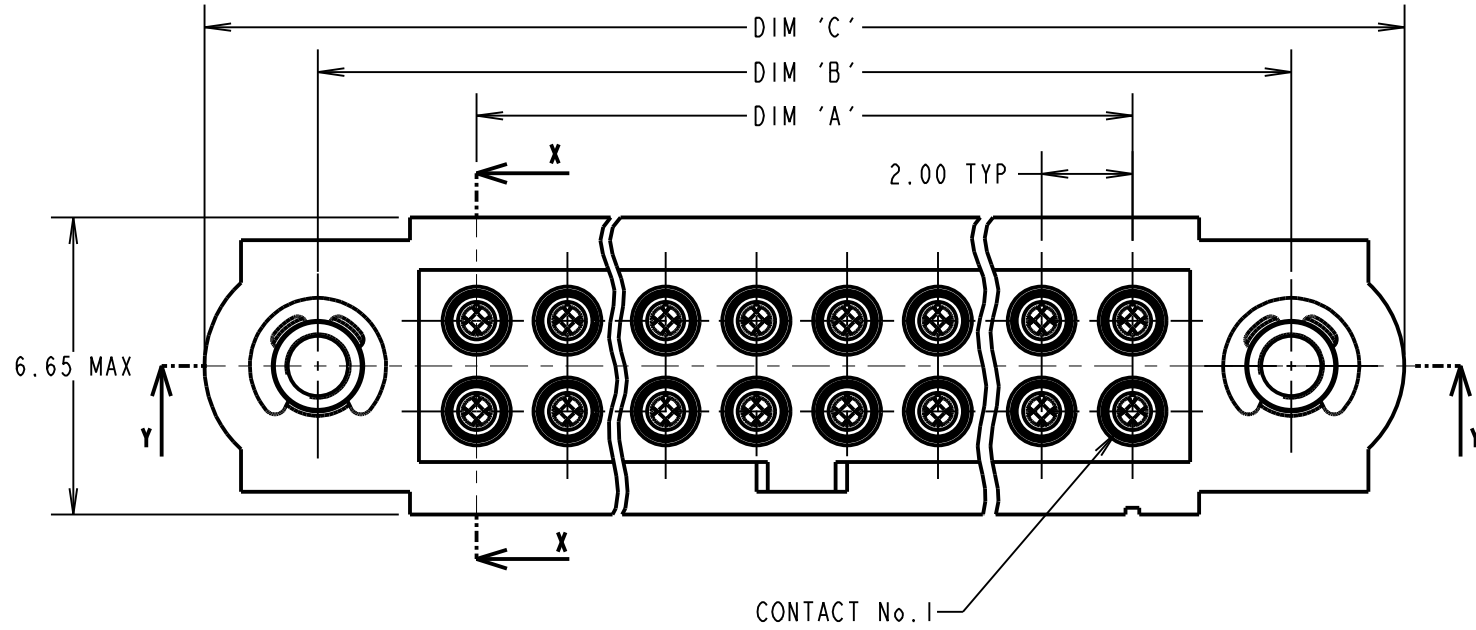
IF IN DOUBT - ASK

©

NOT TO SCALE

THIRD ANGLE PROJECTION

ALL DIMENSIONS IN mm



PART SECTION X-X

**SPECIFICATIONS:**

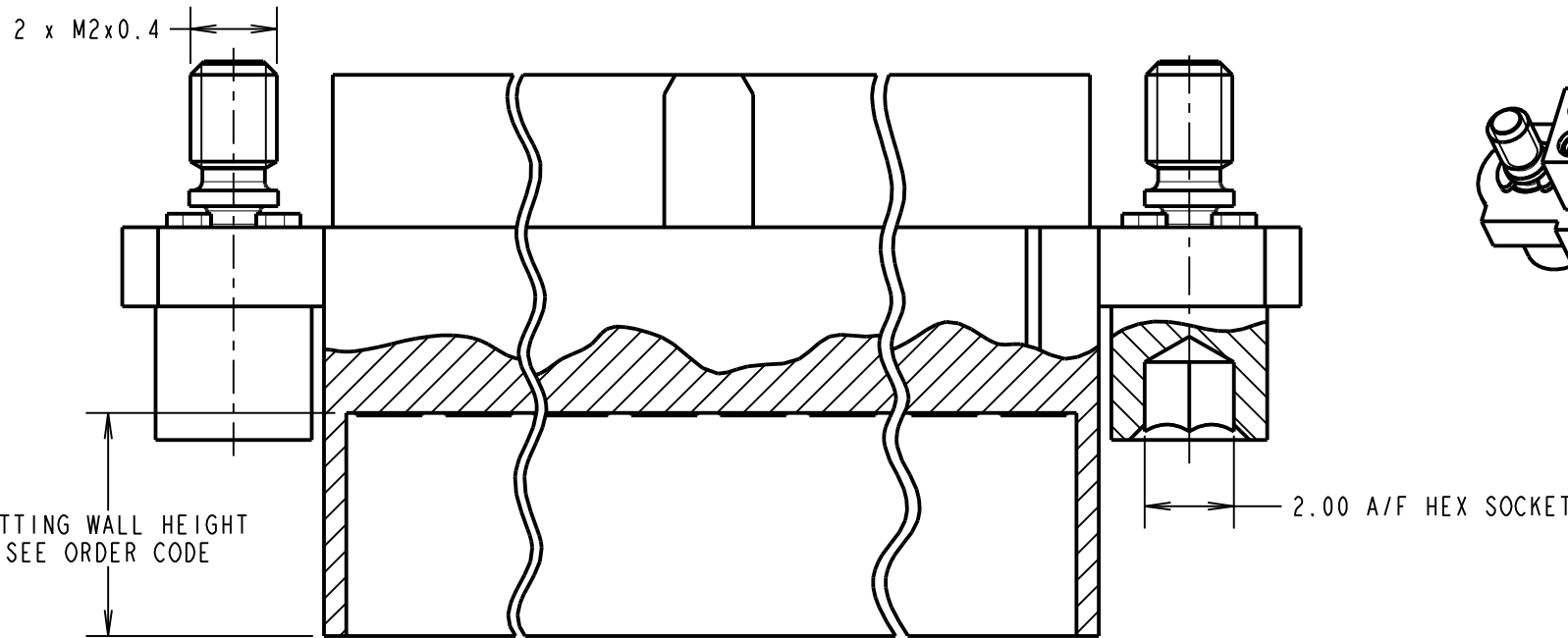
**MATERIAL:**  
 MOULDING = GLASS-FILLED PPS, UL94V-0, BLACK  
 CONTACT CLIP = BERYLLIUM COPPER  
 CONTACT SHELL = COPPER ALLOY  
 JACKSCREW, CIRCLIP = STAINLESS STEEL  
**FINISH (ALL OVER NICKEL):**  
 05 = 0.3µ GOLD CLIP, 0.25-0.3µ GOLD SHELL  
 42 = 0.3µ GOLD CLIP, 3.5-5.0µ 100% TIN SHELL  
 OVER 1.0 - 2.0µ NICKEL

**ELECTRICAL:**  
 CURRENT RATING AT 25°C = 3.0A MAX  
 CURRENT RATING AT 85°C = 2.2A MAX  
 WORKING VOLTAGE = 800V AC/DC  
 VOLTAGE PROOF = 1200V AC/DC  
 CONTACT RESISTANCE = 25mΩ MAX  
 INSULATION RESISTANCE = 100MΩ MIN

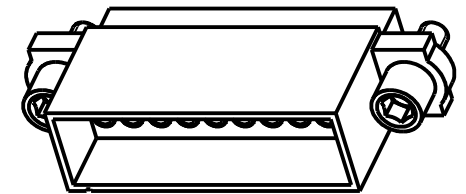
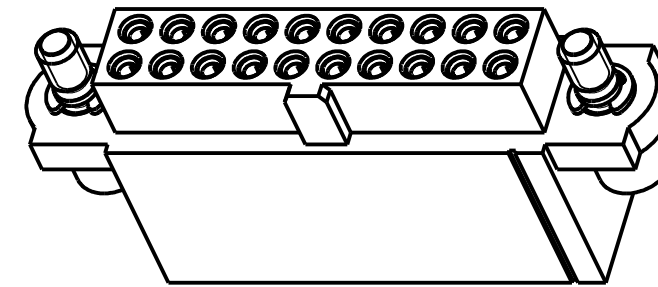
**MECHANICAL:**  
 DURABILITY = 500 OPERATIONS  
 INSERTION FORCE (∅0.5mm GAUGE) = 2N MAX  
 WITHDRAWAL FORCE (∅0.5mm GAUGE) = 0.2N MIN

**ENVIRONMENTAL:**  
 TEMPERATURE RANGE = -55°C TO +125°C

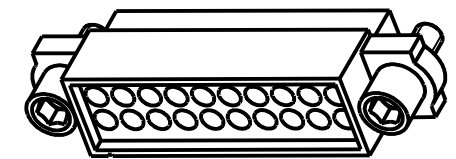
**PACKING:**  
 LOOSE  
 FOR COMPLETE SPECIFICATION, SEE  
 COMPONENT SPECIFICATION C005XX  
 (LATEST ISSUE)



PART SECTION Y-Y



5mm POTTING WALL HEIGHT



1mm POTTING WALL HEIGHT

ASSEMBLY PART No.	No. OF CONTACTS	DIM 'A'	DIM 'B'	DIM 'C'
M80-48606XXX	6	4.00	11.00	16.00
M80-48610XXX	10	8.00	15.00	20.00
M80-48612XXX	12	10.00	17.00	22.00
M80-48614XXX	14	12.00	19.00	24.00
M80-48618XXX	18	16.00	23.00	28.00
M80-48620XXX	20	18.00	25.00	30.00
M80-48626XXX	26	24.00	31.00	36.00
M80-48634XXX	34	32.00	39.00	44.00
M80-48642XXX	42	40.00	47.00	52.00
M80-48650XXX	50	48.00	55.00	60.00

**NOTES:**

- CONNECTORS ARE SUPPLIED WITH CONTACTS LOOSE.
- FOR EXTRA CONTACTS, USE PART NUMBER M80-0130005 FOR M80-486XX05 AND M80-0130001 FOR M80-486XX42.
- RECOMMENDED WIRE TYPE = BS 3G 210 TYPE A, PTFE INSULATED 24-28 AWG. MAX INSULATION DIAMETER = ∅1.10mm, STRIP WIRE BY 2.00mm.
- RECOMMENDED HAND CRIMP TOOL = M22520/2-01 WITH POSITIONER T5747. REFER TO TOOLING INSTRUCTION SHEET IS-01 FOR COMPLETE CRIMPING INSTRUCTIONS.
- CONTACT INSERTION AND EXTRACTION TOOL = Z80-280. REFER TO INSTRUCTION SHEET IS-25 FOR ASSEMBLY INSTRUCTIONS.

ORDER CODE:

**M80-486XXXXX**

TOTAL No. OF CONTACTS  
 06, 10, 12, 14, 18, 20,  
 26, 34, 42, 50

**FINISH**  
 05 - GOLD CLIP, GOLD SHELL  
 42 - GOLD CLIP, 100% TIN SHELL

**POTTING WALL HEIGHT**  
 BLANK = 5mm  
 A = 1mm

**HARWIN**

www.harwin.com  
 technical@harwin.com

THIS DRAWING AND ANY INFORMATION OR DESCRIPTIVE MATTER SET OUT HEREON ARE CONFIDENTIAL AND COPYRIGHT PROPERTY OF THE HARWIN GROUP AND MUST NOT BE DISCLOSED, LOANED, COPIED OR USED FOR MANUFACTURING, TENDERING OR FOR ANY OTHER PURPOSE WITHOUT THEIR WRITTEN PERMISSION.

**TOLERANCES**

X. = ±1mm  
 X.X = ±0.50mm  
 X.XX = ±0.10mm  
 X.XXX = ±0.01mm  
 ANGLES = ±5°  
 UNLESS STATED

**MATERIAL:**

SEE ABOVE

**FINISH:** SEE ABOVE

**S/AREA:** mm<sup>2</sup>

**TITLE:** JACKSCREW DATAMATE  
 DIL CRIMP (SMALL BORE)  
 POTTING WALL FEMALE ASSEMBLY

**DRAWING NUMBER:**  
**M80-486XXXX**

SHT  
 2 OF 2

MSP	9	07.10.15	13110
NAME	ISS.	DATE	C/NOTE
APPROVED:		M.PERREN	
CHECKED:		M.PLESTED	
DRAWN:		MARK G PLESTED	
CUSTOMER REF.:			
ASSEMBLY DRG:			