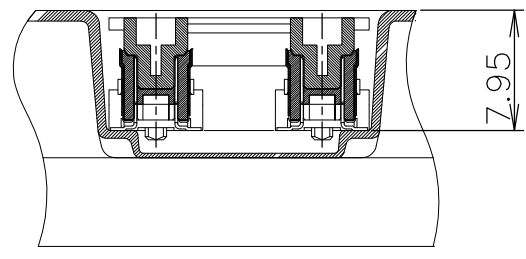
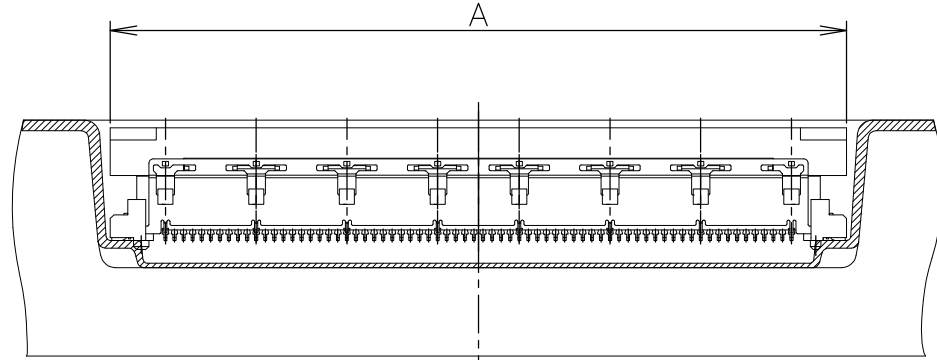
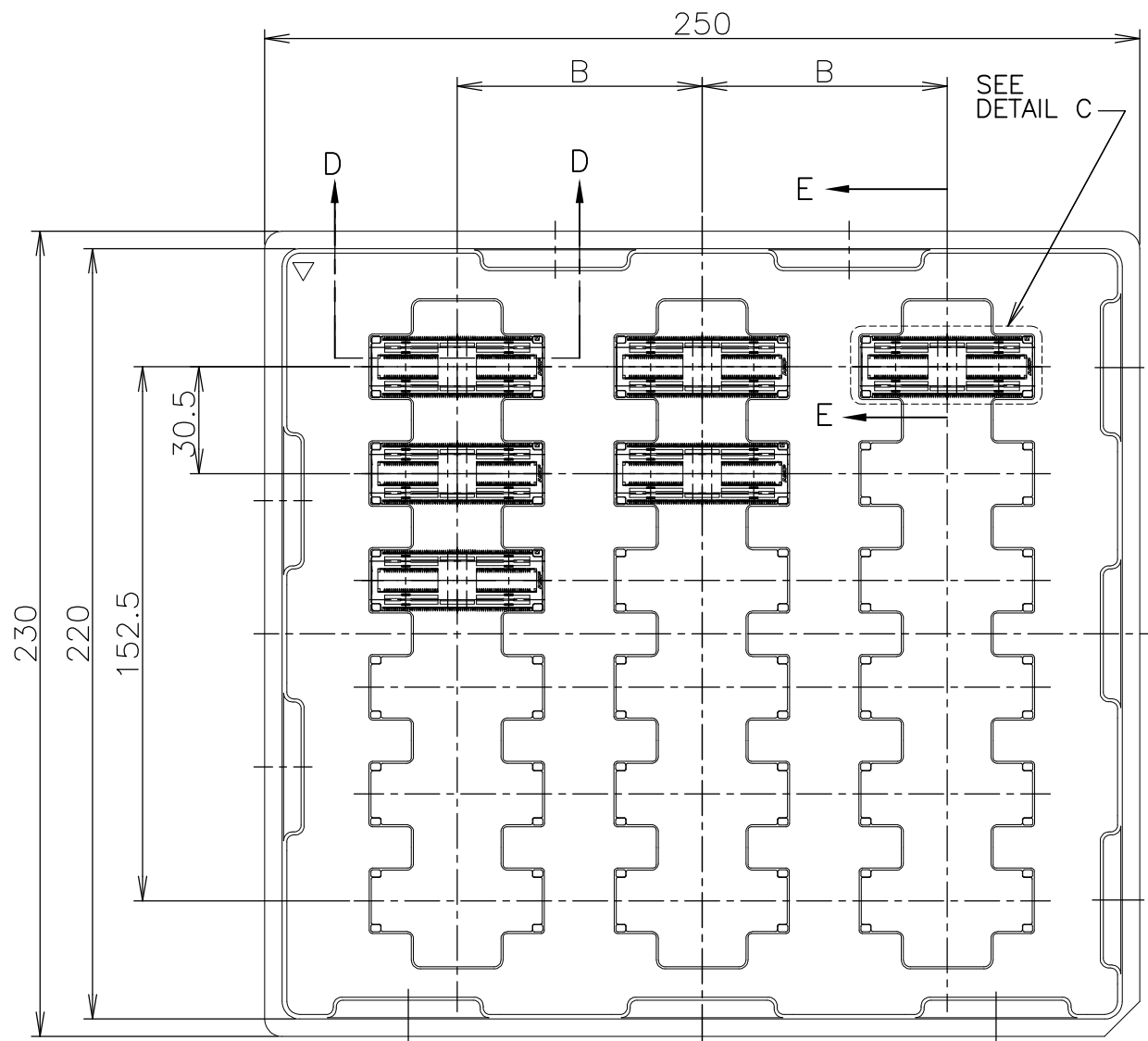


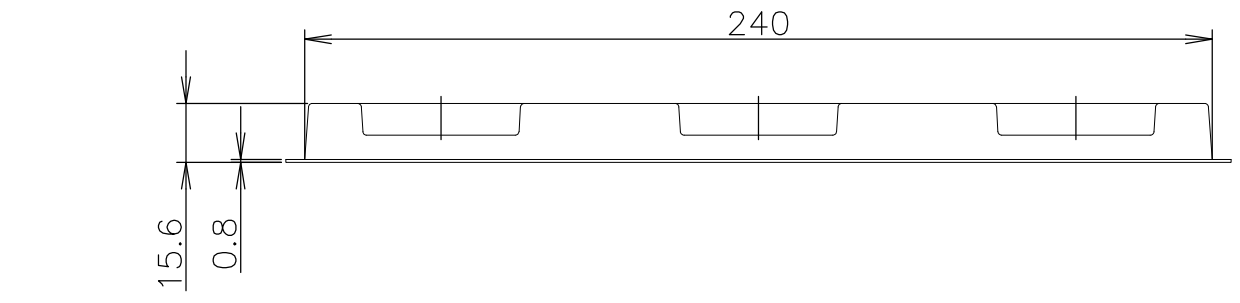
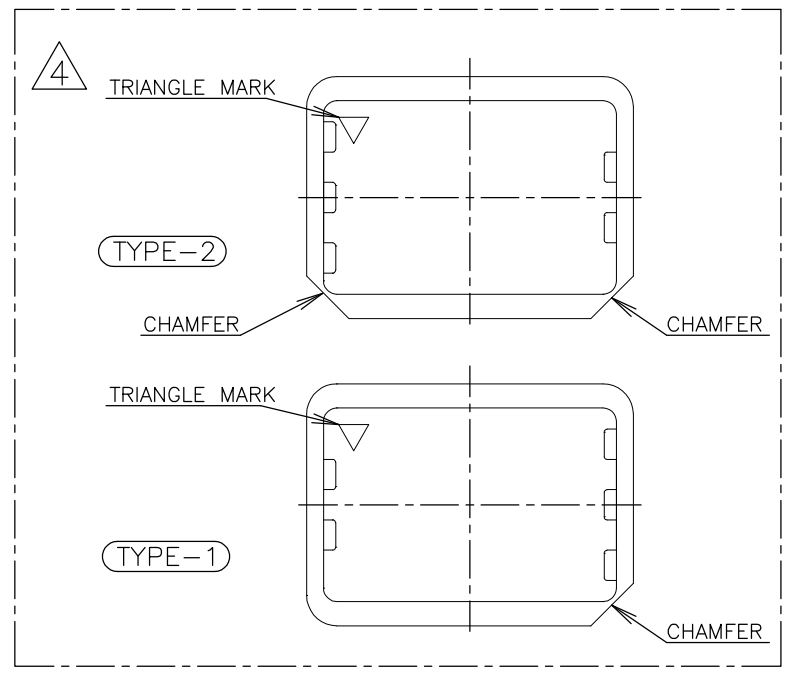
THIS DRAWING IS UNPUBLISHED. RELEASED FOR PUBLICATION OCT, 1997.
 © COPYRIGHT 1997 BY TYCO ELECTRONICS CORPORATION. ALL RIGHTS RESERVED.

LOC J	DIST	REVISIONS 変更		
P	LTR	DESCRIPTION	DATE	DWN
	A	REVISED ECR-08-000339	01FEB08	T.T
				APVD T.F

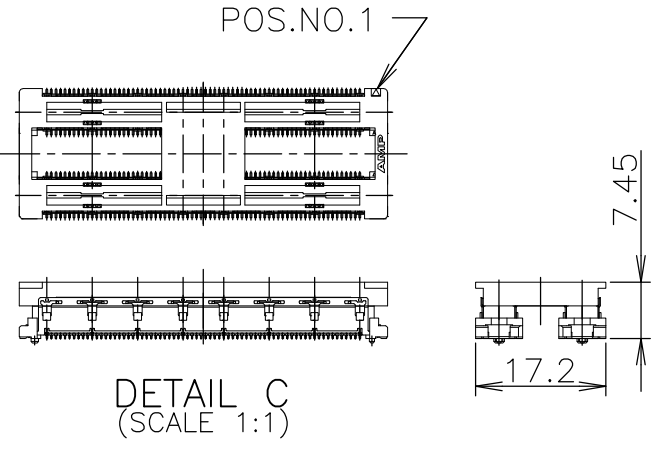
AS SHOWN: TYPE-1



4 TRAY TYPE-1 AND TYPE-2 MUST BE
 PILED UP BY TURNS.
 (REFER TO PACKING SPECIFICATIONS)



SEALANT	NOT AVAILABLE	3	18	70	54.7	320	6-912069-2	6-6123086-1
	AVAILABLE	↑	↑	↑	48.7	280	6-↑ -1	6-↑ -0
	NOT AVAILABLE	↓	↓	↓	42.7	240	6-↓ -0	5-↓ -9
	NOT AVAILABLE	3	18	70	36.7	200	5-912069-9	5-6123086-8
NON SEALANT	NOT AVAILABLE	3	18	70	54.7	320	6-912069-2	1-6123086-1
	AVAILABLE	↑	↑	↑	48.7	280	6-↑ -1	1-↑ -0
	NOT AVAILABLE	↓	↓	↓	42.7	240	6-↓ -0	↓ -9
	NOT AVAILABLE	3	18	70	36.7	200	5-912069-9	6123086-8
SEALANT	TOOLING STATUS	ROW	QTY	B	A	POS.	TRAY P/N	PART NO.



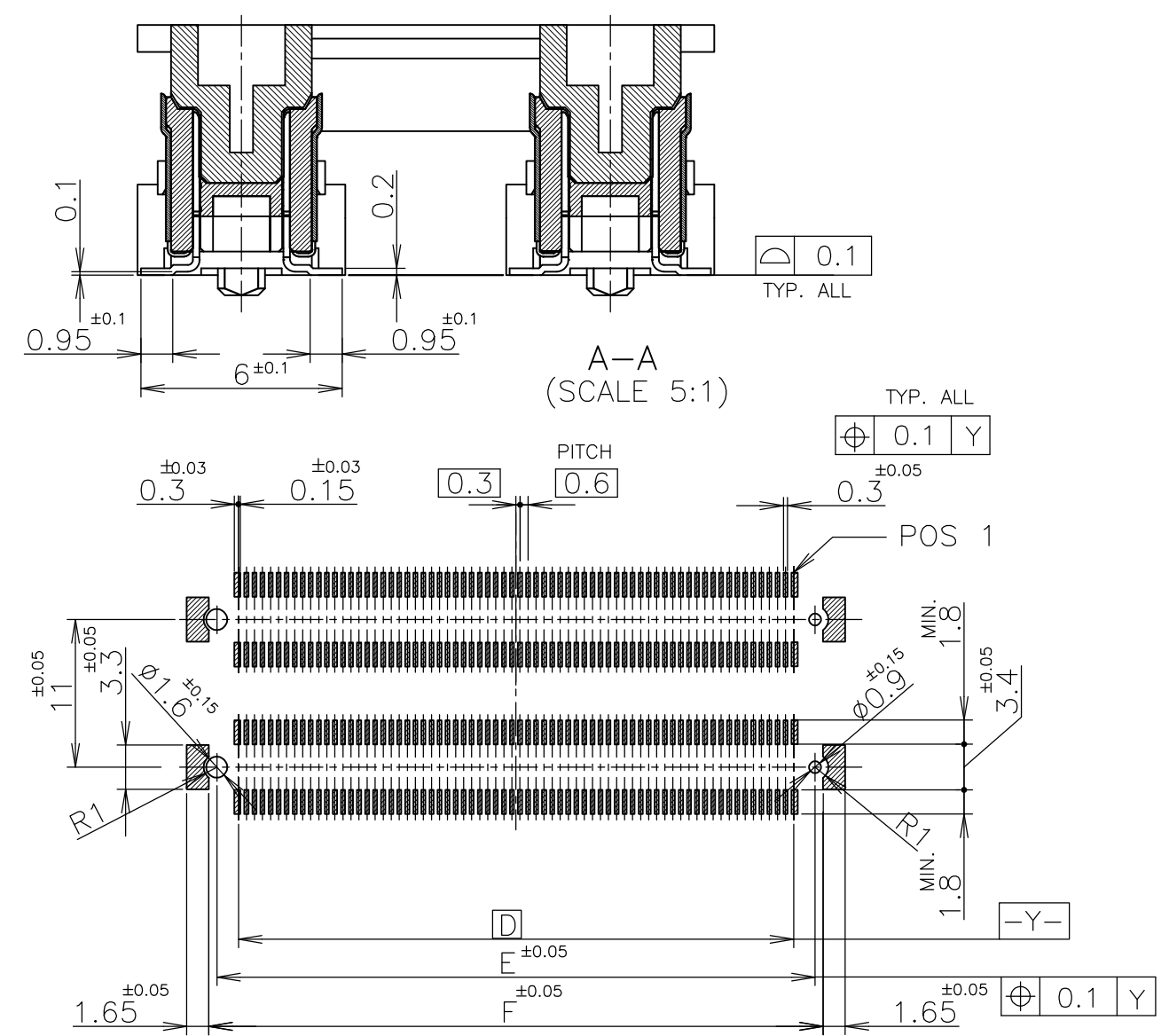
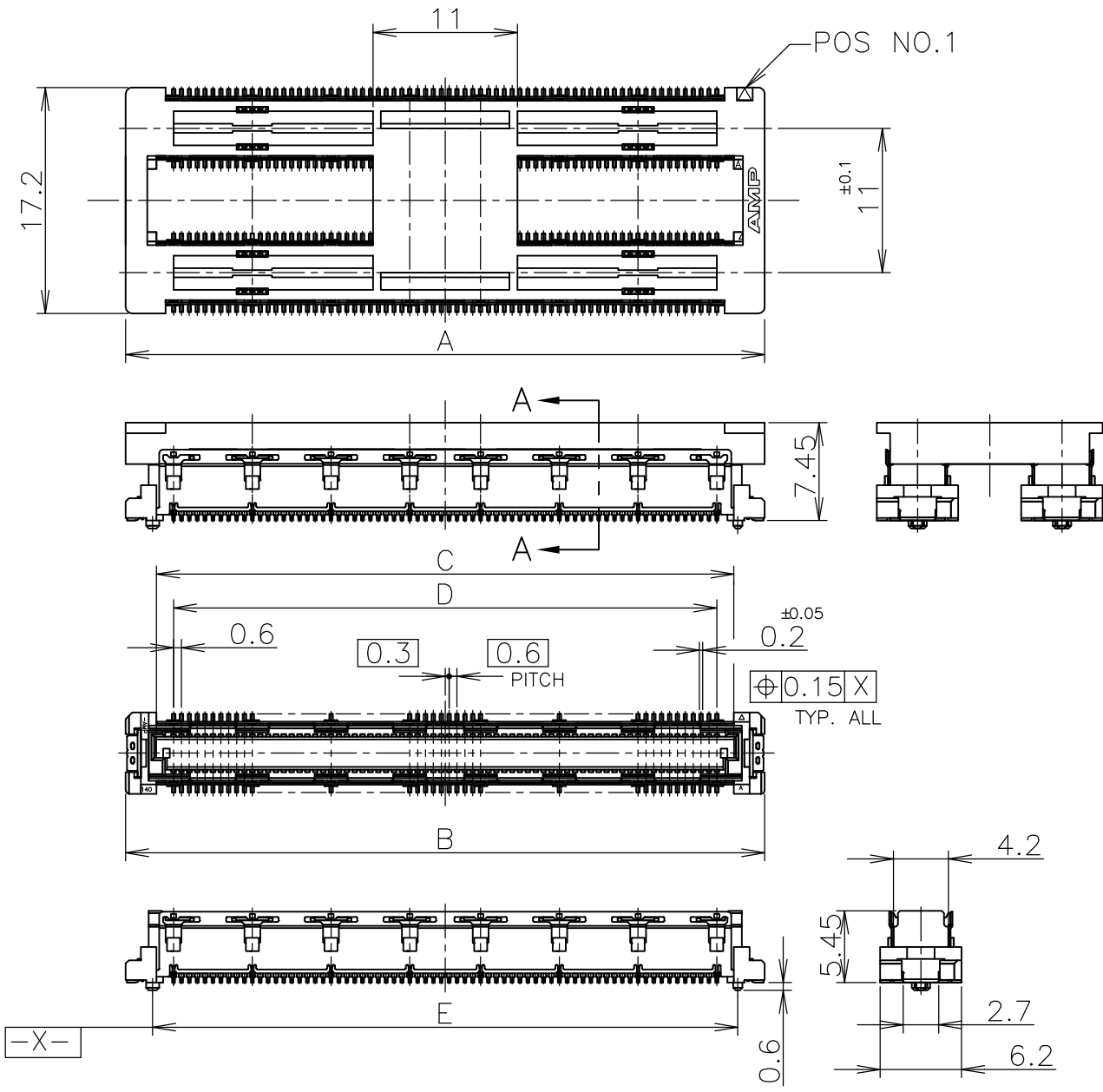
GENERAL TOLERANCE
 一般公差
 10 ≥ ±0.2
 30 ≥ >10: ±0.25
 100 ≥ >30: ±0.3
 ANGLES: ±3°

THIS DRAWING IS A CONTROLLED DOCUMENT.

DIMENSIONS: 单位: 耗 mm	TOLERANCES UNLESS OTHERWISE SPECIFIED: 一般公差	DWN HAWKING HE 13DEC04	Tyco Electronics Corporation Kawasaki, Japan	
MATERIAL 材料	FINISH 仕上	CHK STEVEN YAO 13DEC04	NAME 名称	
		APVD I.ENOMOTO 13DEC04	SOFT TRAY ASSY FH 0.6BTB CONNECTOR PLUG 6H W/G-PLATE 2ROW TYPE	
		PRODUCT SPEC 製品規格 108-60047	SIZE A3	CAGE CODE 00779
		APPLICATION SPEC 取付適用規格 114-5255	DRAWING NO 番号 G-6123086	RESTRICTED TO
		WEIGHT	SCALE 尺度 1:2	
		CUSTOMER DRAWING	SHEET 1 OF 3	REV A

THIS DRAWING IS UNPUBLISHED. RELEASED FOR PUBLICATION OCT, 1997.
 © COPYRIGHT 1997 BY TYCO ELECTRONICS CORPORATION. ALL RIGHTS RESERVED.

LOC	DIST	REVISIONS			DATE	DWN	APVD
J		P	LTR	DESCRIPTION			
				SEE SHEET 1	-	-	-



REFERENCE P.C.BOARD LAYOUT

51.8	50.6	47.4	50	54.7	54.7	320	1-353120-1
45.8	44.6	41.4	44	48.7	48.7	280	1- -0
39.8	38.6	35.4	38	42.7	42.7	240	-9
33.8	32.6	29.4	32	36.7	36.7	200	353120-8
F	E	D	C	B	A	POS	CAP P/N

- ① MATERIAL ; HOUSING : HIGH TEMP THERMO PLASTIC
UL94V-0
CONTACT : COPPER ALLOY
- ② FINISH ; UNDER PL Ni 0.0013mm MIN ALL OVER.
CONTACT AREA 0.0002 MIN Au PL.
SOLDERING AREA 0.001 MIN TIN PL.
- ③ THIS POSITION IS GROUND CIRCUIT.

GENERAL TOLERANCE
一般公差

10 ≥	±0.2
30 ≥	>10:±0.25
100 ≥	>30:±0.3
ANGLES:±3°	

THIS DRAWING IS A CONTROLLED DOCUMENT.		DWN		Tyco Electronics Corporation Kawasaki, Japan															
DIMENSIONS: 単位: 耗 mm		TOLERANCES UNLESS OTHERWISE SPECIFIED: 一般公差		NAME 名称															
<table border="1"> <tr><td>0 PLC</td><td>± -</td></tr> <tr><td>1 PLC</td><td>± -</td></tr> <tr><td>2 PLC</td><td>± -</td></tr> <tr><td>3 PLC</td><td>± -</td></tr> <tr><td>4 PLC</td><td>± -</td></tr> <tr><td>ANGLES</td><td>± -</td></tr> </table>		0 PLC	± -	1 PLC	± -	2 PLC	± -	3 PLC	± -	4 PLC	± -	ANGLES	± -	<table border="1"> <tr><td>FINISH</td><td>仕上</td></tr> </table>		FINISH	仕上	SOFT TRAY ASSY FH 0.6BTB CONNECTOR PLUG 6H W/G-PLATE 2ROW TYPE	
0 PLC	± -																		
1 PLC	± -																		
2 PLC	± -																		
3 PLC	± -																		
4 PLC	± -																		
ANGLES	± -																		
FINISH	仕上																		
MATERIAL 材料		APVD		SIZE															
①		PRODUCT SPEC 製品規格		A300779															
②		APPLICATION SPEC 取付適用規格		CAGE CODE															
		WEIGHT		G-6123086															
		CUSTOMER DRAWING		DRAWING NO 番号															
		SCALE 尺度 2:1		RESTRICTED TO															
		SHEET 2 OF 3		REV A															

4

3

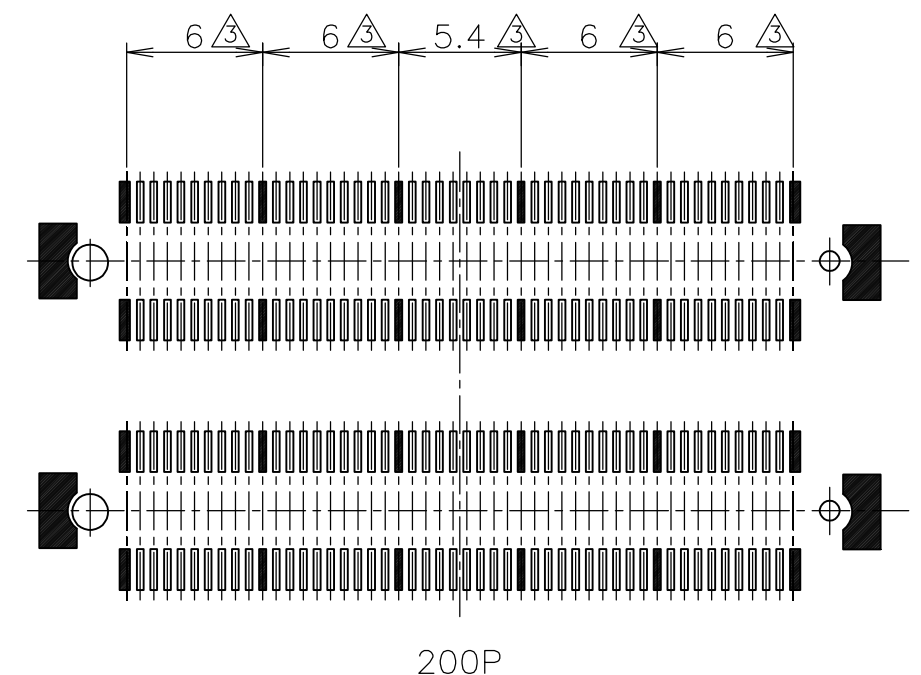
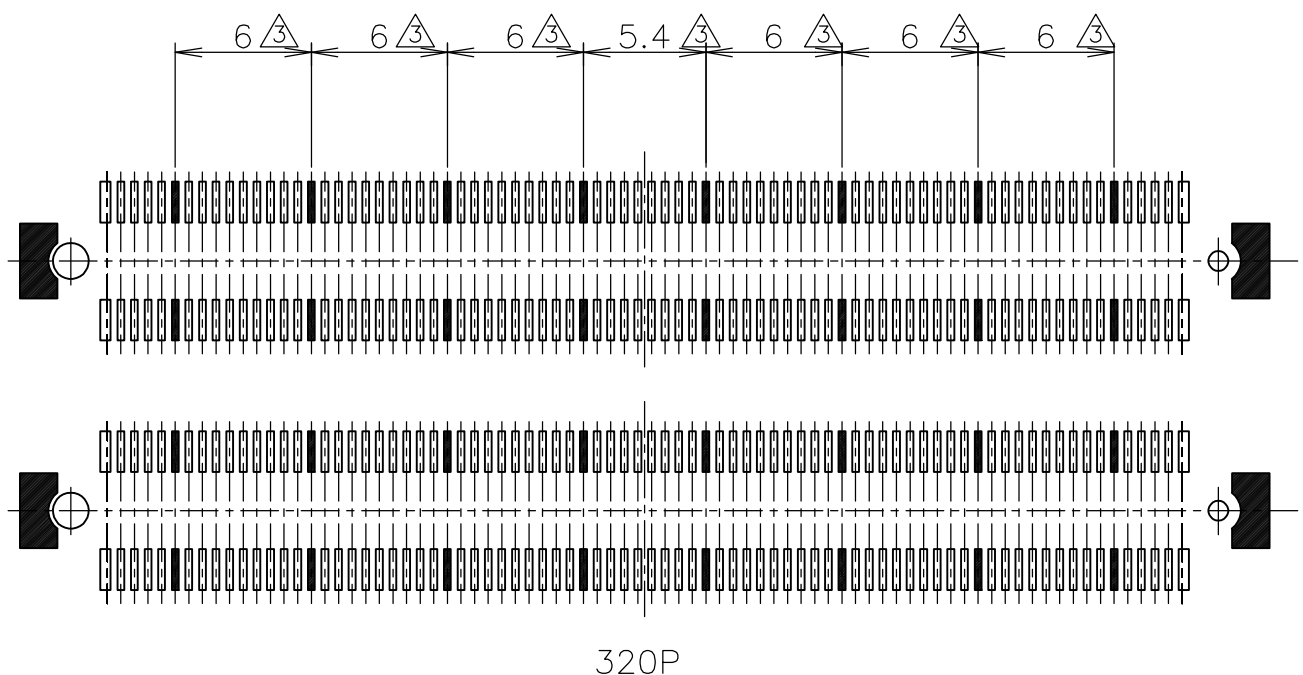
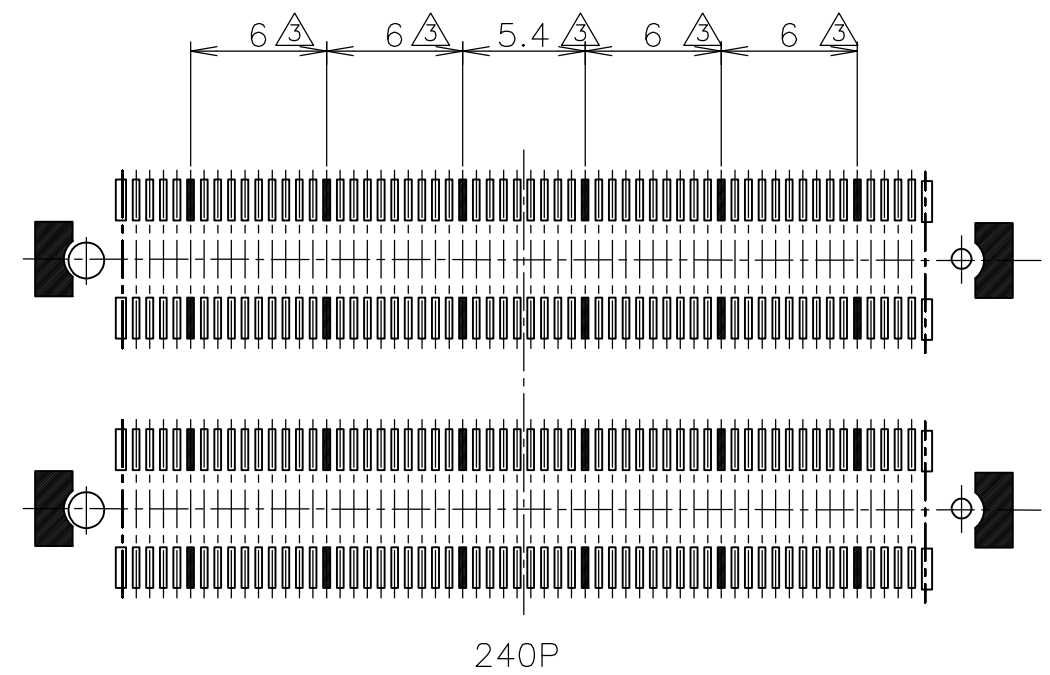
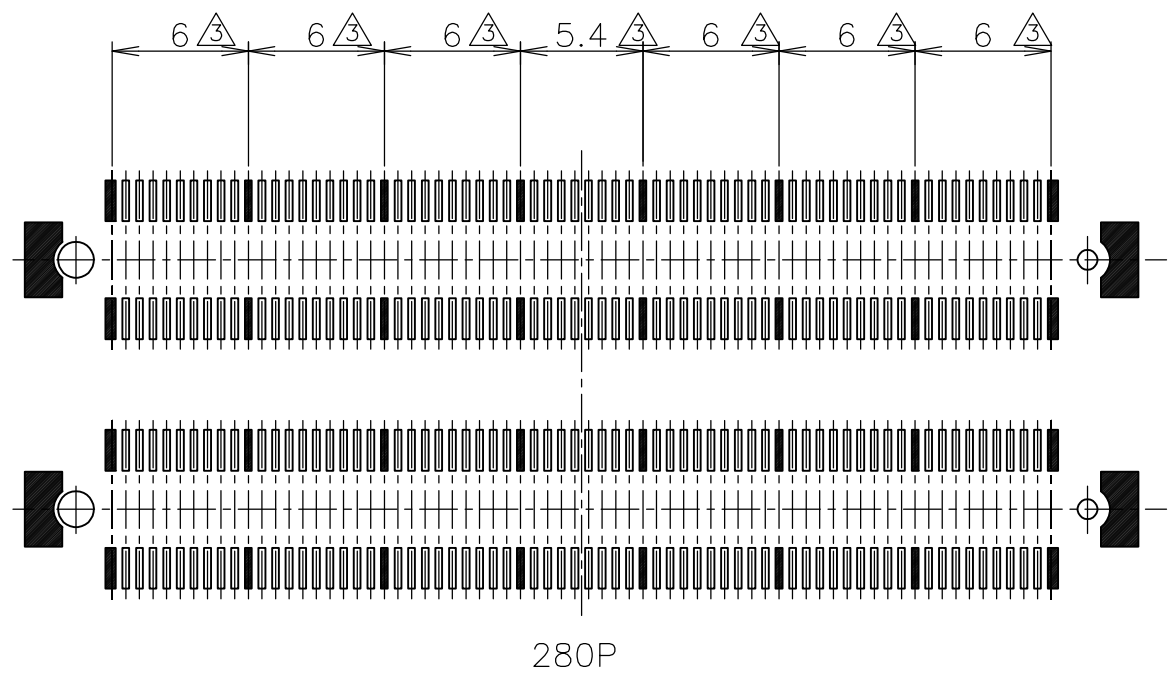
2

1

THIS DRAWING IS UNPUBLISHED. RELEASED FOR PUBLICATION OCT ,1997.

© COPYRIGHT 1997 BY TYCO ELECTRONICS CORPORATION. ALL RIGHTS RESERVED.

LOC	DIST	REVISIONS			DATE	DWN	APVD
J		P	LTR	DESCRIPTION			
				SEE SHEET 1	-	-	-



GENERAL TOLERANCE
一般公差

10 ≥ ±0.2
30 ≥ >10: ±0.25
100 ≥ >30: ±0.3
ANGLES: ±3°

THIS DRAWING IS A CONTROLLED DOCUMENT.		DWN	Tyco Electronics Corporation Kawasaki, Japan	
DIMENSIONS: 単位: 耗 mm	TOLERANCES UNLESS OTHERWISE SPECIFIED: 一般公差	CHK	NAME 名称	
	0 PLC ± -	APVD	SOFT TRAY ASSY	
	1 PLC ± -	PRODUCT SPEC 製品規格	FH 0.6BTB CONNECTOR	
	2 PLC ± -	APPLICATION SPEC 取付適用規格	PLUG 6H W/G-PLATE 2ROW TYPE	
	3 PLC ± -	WEIGHT	SIZE	RESTRICTED TO
MATERIAL 材料	4 PLC ± -	CUSTOMER DRAWING	A3	
	ANGLES ± -		CAGE CODE	
	FINISH 仕上		00779	
			DRAWING NO	
			G-6123086	
			SCALE 尺度 3:1	SHEET 3 OF 3
				REV A