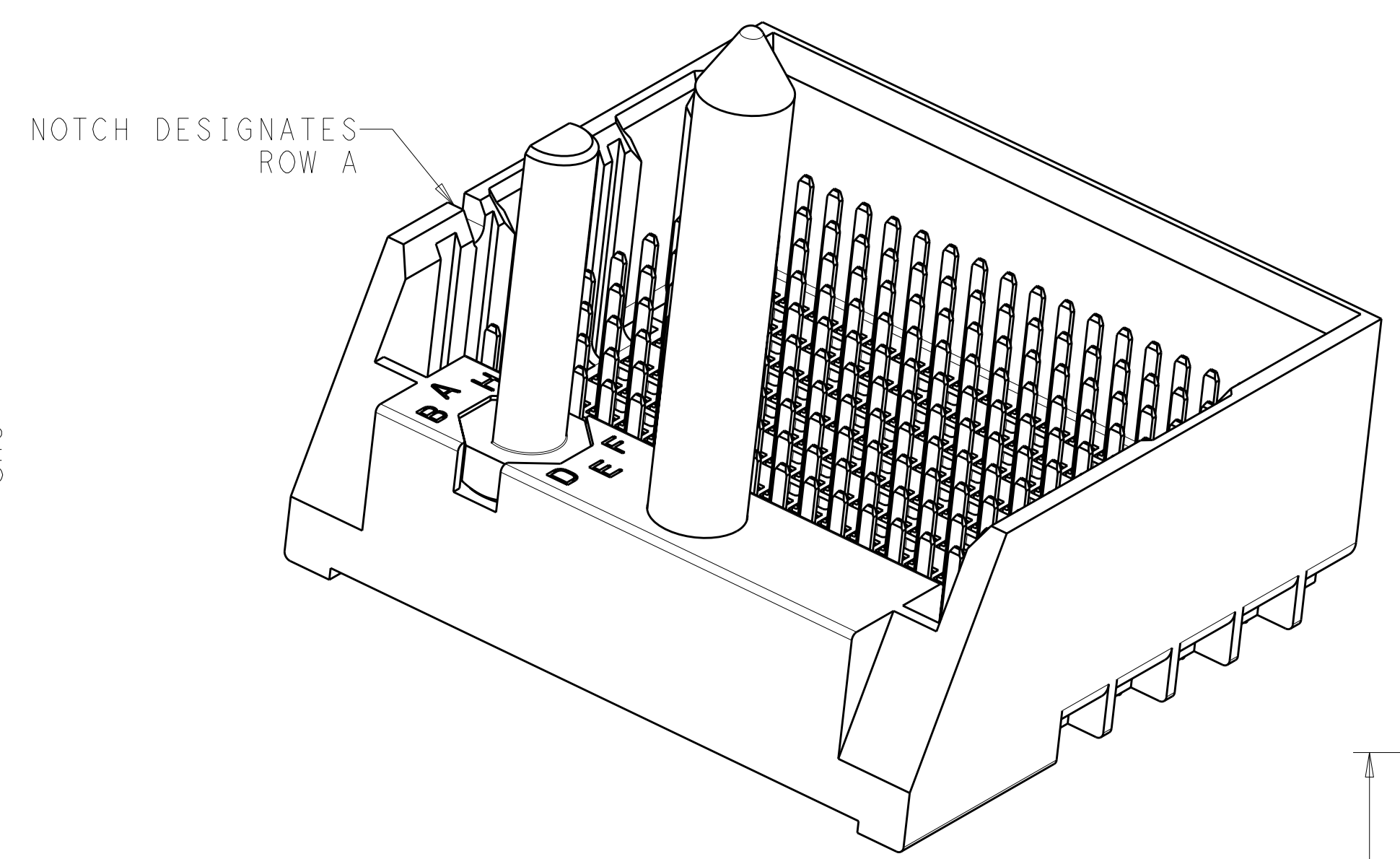
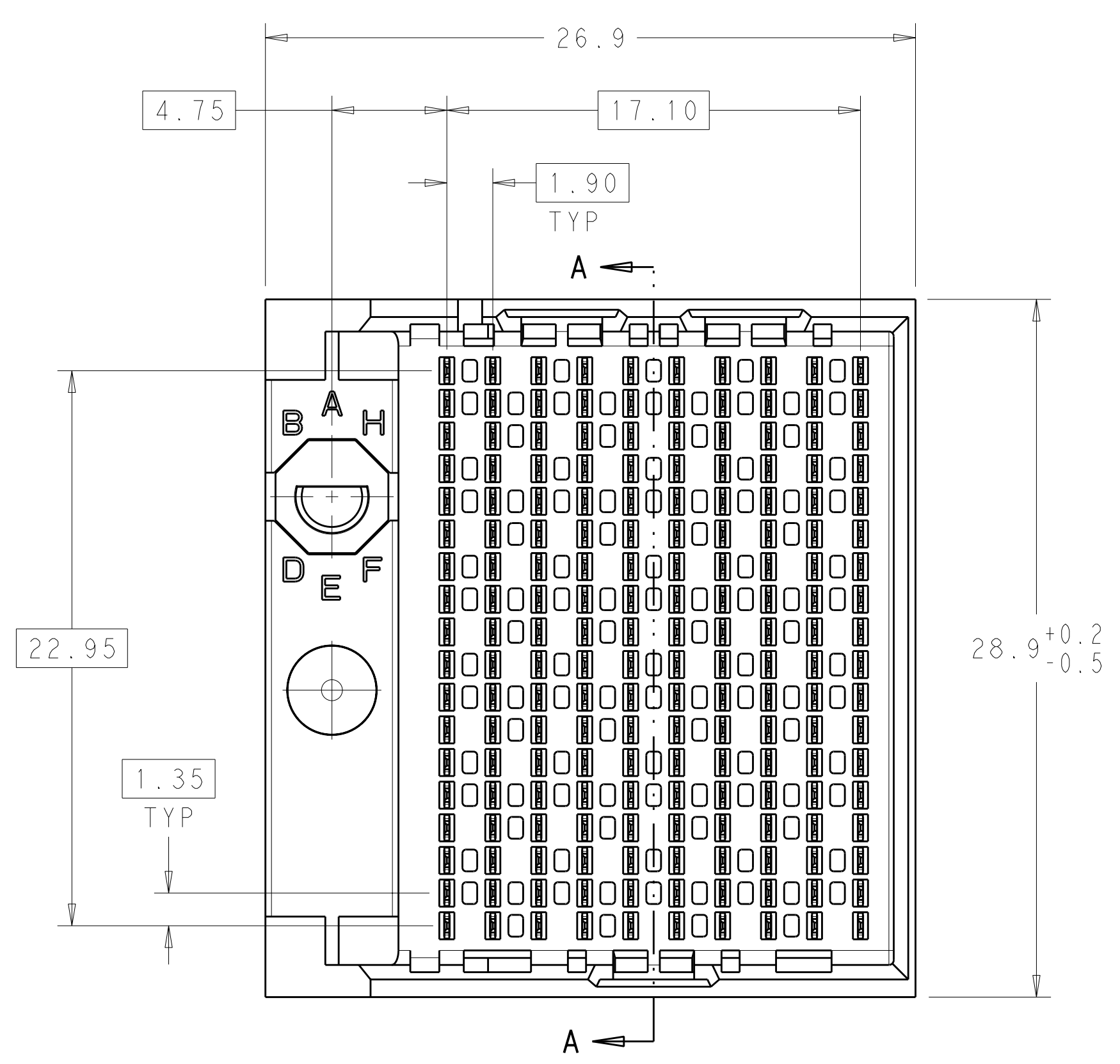
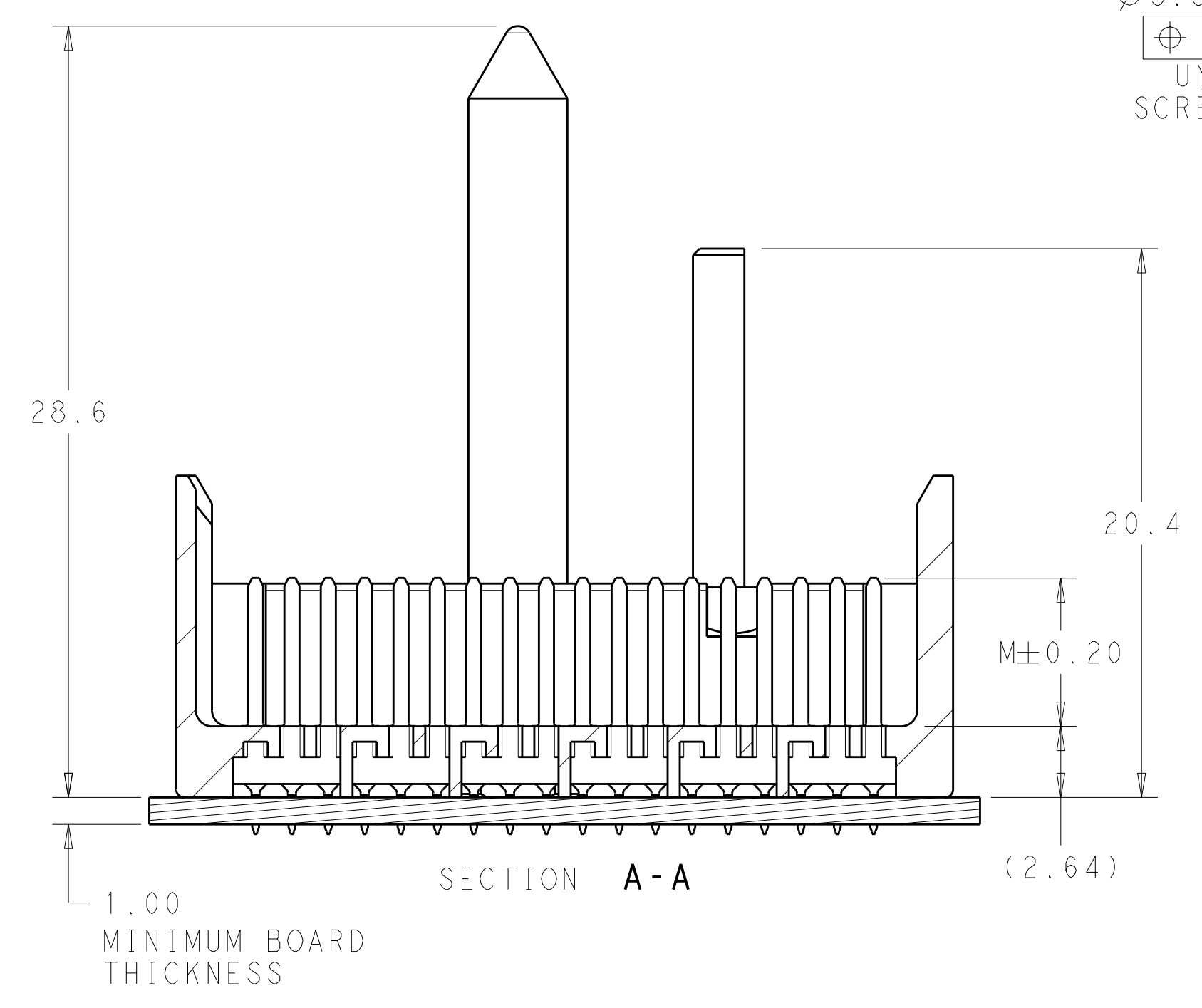
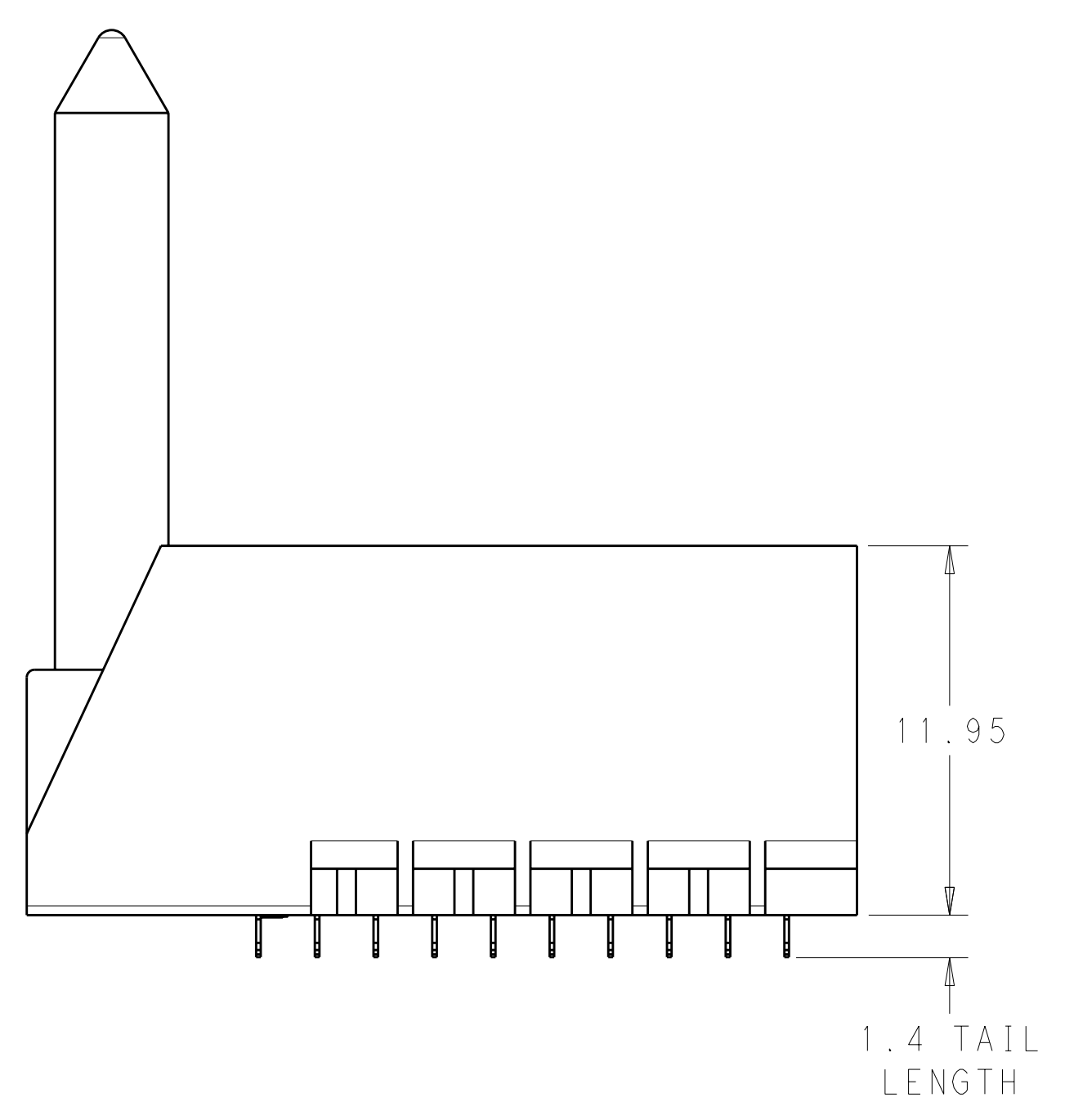
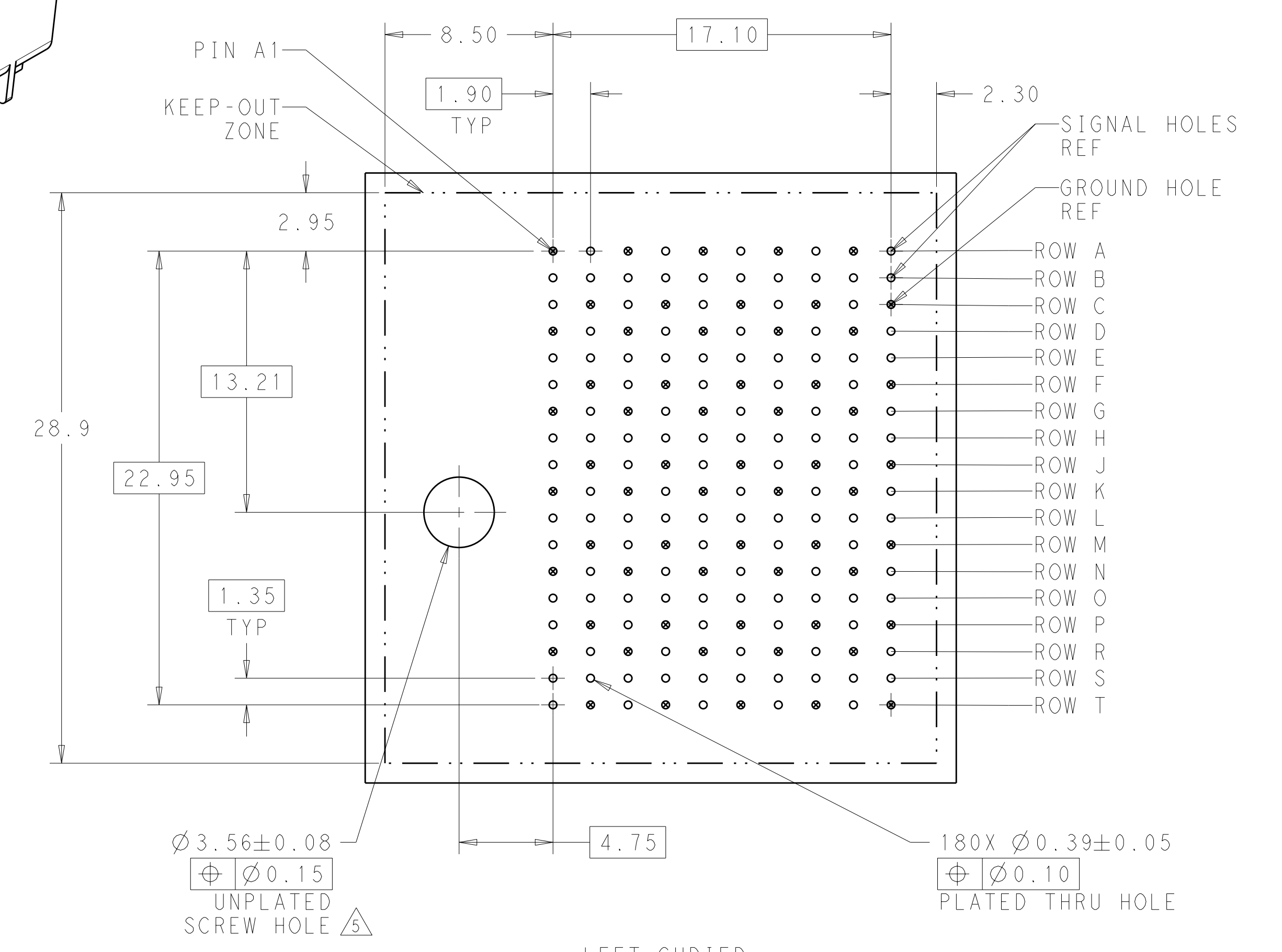


| LOC | DIST | REV | DATE | BY | APPD |
|-----------|------|-----|---------------------------|-----------|------|
| AD | 00 | B | 03JAN2012 | KH | DY |
| REVISIONS | | | DESCRIPTION | DATE | DWN |
| | | | REVISED PER ECO-11-025276 | 03JAN2012 | KH |



- 1 MATERIAL:
HOUSING: LCP, GLASS FILLED, UL94V-0.
TERMINALS: HIGH PERFORMANCE COPPER ALLOY.
- 2 FINISH:
30µ" MIN GOLD IN CONTACT AREA. SELECTIVE TIN ON PCB TAILS, NICKEL OVERALL.
- 3 FINISH:
30µ" MIN GOLD IN CONTACT AREA. SELECTIVE TIN-LEAD ON PCB TAILS, NICKEL OVERALL.
- 4. SCREWS PACKAGED IN END OF PACKAGING TUBE.
- 5 FOR GROUNDED GUIDE PIN USE Ø3.56±0.08 PTH, Ø3.66 DRILL, AND Ø6.5 PAD.
- 6. KEYING PIN SHOWN IN POSITION A, SEE KEYING CHART ON SHEET 2 FOR OTHER POSITIONS.

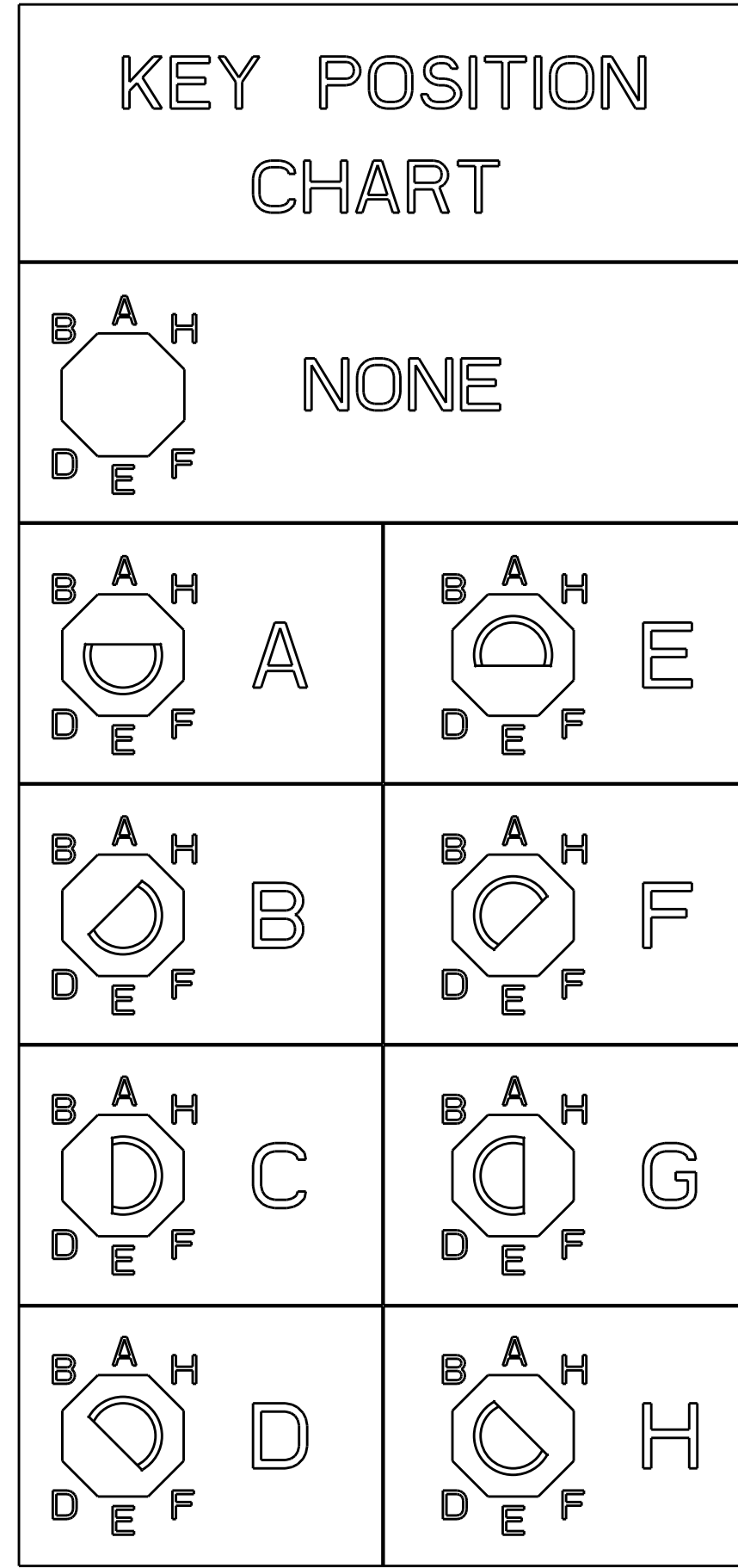


| | | | |
|--|------|----------------------------|--|
| THIS DRAWING IS A CONTROLLED DOCUMENT. | | DWN J. K. SHOBER 25JAN2011 | TE Connectivity |
| DIMENSIONS: mm | | CHK J. EBY 25JAN2011 | |
| TOLERANCES UNLESS OTHERWISE SPECIFIED: | | APVD J. EBY 25JAN2011 | NAME IMPACT, 6 PAIR, 10 COLUMN, HEADER LEFT GUIDED, RIGHT END WALL SIGNAL MODULE, 0.39 PTH |
| 9 PLC ± | 0.25 | PRODUCT SPEC | SIZE CAGE CODE DRAWING NO RESTRICTED TO |
| 3 PLC ±0.13 | | APPLICATION SPEC | A100779C=2007875 |
| 5 PLC ± | | WEIGHT | SCALE 5:1 SHEET 1 OF 2 REV B |
| 4 PLC ± | | CUSTOMER DRAWING | |
| ANGLES ± | | | |
| FINISH SEE TABLE | | | |

| LOC | | DIST | | REVISIONS | | | |
|-----|----|------|-----|-------------|------|-----|------|
| AD | 00 | P | LTB | DESCRIPTION | DATE | DWN | APVD |
| | | - | - | SEE SHEET 1 | - | - | - |
| | | | | | | | |
| | | | | | | | |

| | | | |
|--------|--------------|-------|-------------|
| 3 | H | 5.5 | 8-2007875-6 |
| 3 | H | 4.9 | 8-2007875-5 |
| 3 | H | 4.5 | 8-2007875-4 |
| 2 | H | 5.5 | 8-2007875-3 |
| 2 | H | 4.9 | 8-2007875-2 |
| 2 | H | 4.5 | 8-2007875-1 |
| 3 | G | 5.5 | 7-2007875-6 |
| 3 | G | 4.9 | 7-2007875-5 |
| 3 | G | 4.5 | 7-2007875-4 |
| 2 | G | 5.5 | 7-2007875-3 |
| 2 | G | 4.9 | 7-2007875-2 |
| 2 | G | 4.5 | 7-2007875-1 |
| 3 | F | 5.5 | 6-2007875-6 |
| 3 | F | 4.9 | 6-2007875-5 |
| 3 | F | 4.5 | 6-2007875-4 |
| 2 | F | 5.5 | 6-2007875-3 |
| 2 | F | 4.9 | 6-2007875-2 |
| 2 | F | 4.5 | 6-2007875-1 |
| 3 | E | 5.5 | 5-2007875-6 |
| 3 | E | 4.9 | 5-2007875-5 |
| 3 | E | 4.5 | 5-2007875-4 |
| 2 | E | 5.5 | 5-2007875-3 |
| 2 | E | 4.9 | 5-2007875-2 |
| 2 | E | 4.5 | 5-2007875-1 |
| 3 | D | 5.5 | 4-2007875-6 |
| 3 | D | 4.9 | 4-2007875-5 |
| 3 | D | 4.5 | 4-2007875-4 |
| 2 | D | 5.5 | 4-2007875-3 |
| 2 | D | 4.9 | 4-2007875-2 |
| 2 | D | 4.5 | 4-2007875-1 |
| 3 | C | 5.5 | 3-2007875-6 |
| 3 | C | 4.9 | 3-2007875-5 |
| 3 | C | 4.5 | 3-2007875-4 |
| 2 | C | 5.5 | 3-2007875-3 |
| 2 | C | 4.9 | 3-2007875-2 |
| 2 | C | 4.5 | 3-2007875-1 |
| 3 | B | 5.5 | 2-2007875-6 |
| 3 | B | 4.9 | 2-2007875-5 |
| 3 | B | 4.5 | 2-2007875-4 |
| 2 | B | 5.5 | 2-2007875-3 |
| 2 | B | 4.9 | 2-2007875-2 |
| 2 | B | 4.5 | 2-2007875-1 |
| 3 | A | 5.5 | 1-2007875-6 |
| 3 | A | 4.9 | 1-2007875-5 |
| 3 | A | 4.5 | 1-2007875-4 |
| 2 | A | 5.5 | 1-2007875-3 |
| 2 | A | 4.9 | 1-2007875-2 |
| 2 | A | 4.5 | 1-2007875-1 |
| 3 | - | 5.5 | 2007875-6 |
| 3 | - | 4.9 | 2007875-5 |
| 3 | - | 4.5 | 2007875-4 |
| 2 | - | 5.5 | 2007875-3 |
| 2 | - | 4.9 | 2007875-2 |
| 2 | - | 4.5 | 2007875-1 |
| FINISH | KEY POSITION | DIM M | PART NUMBER |

REFER TO WWW.TE.COM
FOR PRODUCT AVAILABILITY



| | | | |
|---|--|----------------------------|---|
| THIS DRAWING IS A CONTROLLED DOCUMENT. | | DWN J. K. SHOBER 25JAN2011 | STE TE Connectivity |
| DIMENSIONS: mm | | CHK J. EARY 25JAN2011 | |
| TOLERANCES UNLESS OTHERWISE SPECIFIED: | | APVD J. EARY 25JAN2011 | NAME: IMPACT, 6 PAIR, 10 COLUMN, HEADER LEFT GUIDED, RIGHT END WALL SIGNAL MODULE, 0.39 PTH |
| 9 PLC ± .25 5 PLC ± .13 4 PLC ± .10 ANGLES ± .5° | | PRODUCT SPEC | |
| MATERIAL: SEE TABLE | | APPLICATION SPEC | SIZE: CAGE CODE DRAWING NO. RESTRICTED TO |
| | | WEIGHT | A100779C=2007875 |
| | | CUSTOMER DRAWING | SCALE 5:1 SHEET 2 OF 2 REV B |