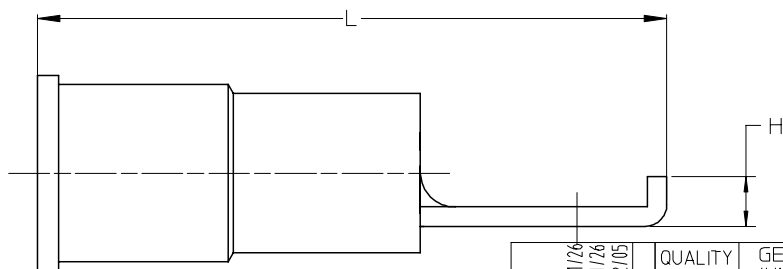
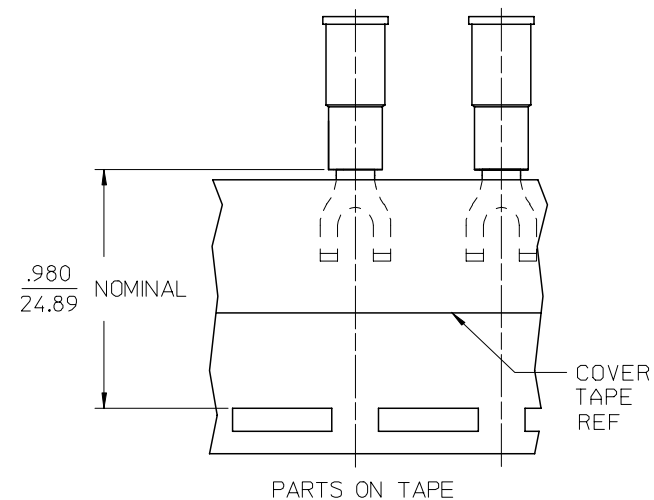
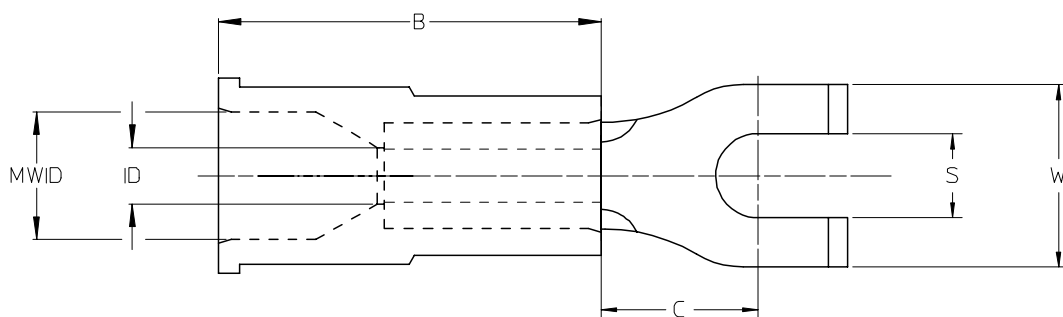


LOOSE PIECE		TAPE MOUNTED		DIMENSIONS									FINISH
MATERIAL NUMBER	ENGINEERING NUMBER	MATERIAL NUMBER	ENGINEERING NUMBER	STUD SIZE	S ±.005	W MAX	C MIN	ID MIN	MWID	B REF	L MAX	H REF	INSULATION COLOR
191190004	A-215-06X	191190005	A-215-06XT	6	.146/3.71	.301/7.6	.207/5.3	.054/1.37	.145/3.68	.450/11.43	.836/21.23	.08/2.0	RED
191190007	A-215-08X	191190008	A-215-08XT	8	.173/4.39	.301/7.6	.207/5.3	.054/1.37	.145/3.68	.450/11.43	.836/21.23	.08/2.0	RED
191190010	A-215-10X	191190051	A-215-10XT	10	.198/5.03	.301/7.6	.207/5.3	.054/1.37	.145/3.68	.450/11.43	.836/21.23	.08/2.0	RED
191190080	B-216-06X	191190027	B-216-06XT	6	.146/3.71	.301/7.6	.209/5.3	.081/2.06	.175/4.45	.450/11.43	.850/21.59	.08/2.0	BLUE
191190029	B-216-08X	191190030	B-216-08XT	8	.173/4.39	.301/7.6	.209/5.3	.081/2.06	.175/4.45	.450/11.43	.850/21.59	.08/2.0	BLUE
191190032	B-216-10X	191190033	B-216-10XT	10	.198/5.03	.301/7.6	.209/5.3	.081/2.06	.175/4.45	.450/11.43	.850/21.59	.08/2.0	BLUE



SALES DRAWING

- NOTES:
1. MATERIAL: COPPER .031/.79 THICK
  2. PLATING: ELECTRO-TIN
  3. MWID = MAXIMUM WIRE INSULATION DIAMETER
  4. PART IS RoHS COMPLIANT

STANDARDIZE EC NO: ETC2008-0012 DRWR: RSTONE 2007/11/26 CHKD: JMACNEIL 2007/11/26 APPR: JMACNEIL 2007/12/05	QUALITY SYMBOLS ▽=0 ▽=0	GENERAL TOLERANCES (UNLESS SPECIFIED) <table border="1"> <thead> <tr> <th></th> <th>mm</th> <th>INCH</th> </tr> </thead> <tbody> <tr> <td>4 PLACES</td> <td>± ---</td> <td>± ---</td> </tr> <tr> <td>3 PLACES</td> <td>± ---</td> <td>± .005</td> </tr> <tr> <td>2 PLACES</td> <td>± 0.13</td> <td>± .01</td> </tr> <tr> <td>1 PLACE</td> <td>± 0.25</td> <td>± ---</td> </tr> </tbody> </table>		mm	INCH	4 PLACES	± ---	± ---	3 PLACES	± ---	± .005	2 PLACES	± 0.13	± .01	1 PLACE	± 0.25	± ---	DIMENSION STYLE IN/MM	SCALE ---	DESIGN UNITS INCH	THIRD ANGLE PROJECTION
		mm	INCH																		
	4 PLACES	± ---	± ---																		
	3 PLACES	± ---	± .005																		
2 PLACES	± 0.13	± .01																			
1 PLACE	± 0.25	± ---																			
DRAWN BY K0	DATE 1984/10/25	TITLE FLANGED SPADE TERMINAL, INSULKRIMP -200 SERIES, LONG BARREL																			
CHECKED BY GZ	DATE 1984/11/09	MOLEX INCORPORATED																			
APPROVED BY	DATE	MATERIAL NO. SEE CHART	DOCUMENT NO. SD-19119-003	SHEET NO. 1 OF 1																	

DRAFT WHERE APPLICABLE  
MUST REMAIN  
WITHIN DIMENSIONS

THIS DRAWING CONTAINS INFORMATION THAT IS PROPRIETARY TO MOLEX INCORPORATED AND SHOULD NOT BE USED WITHOUT WRITTEN PERMISSION