

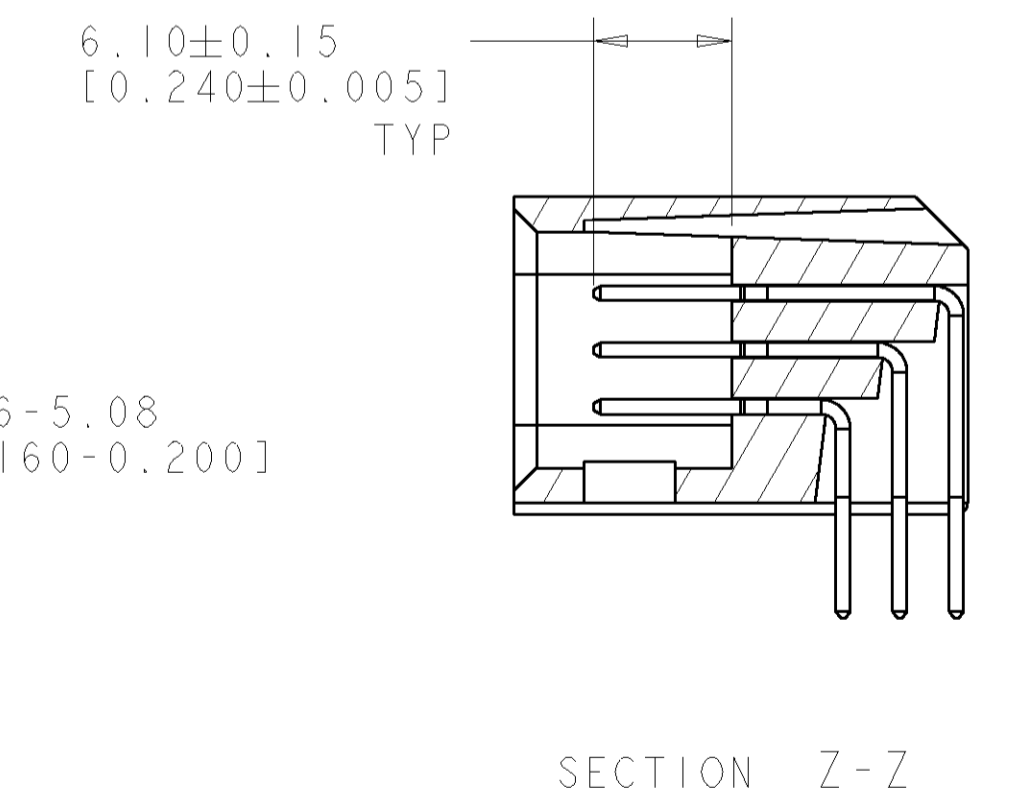
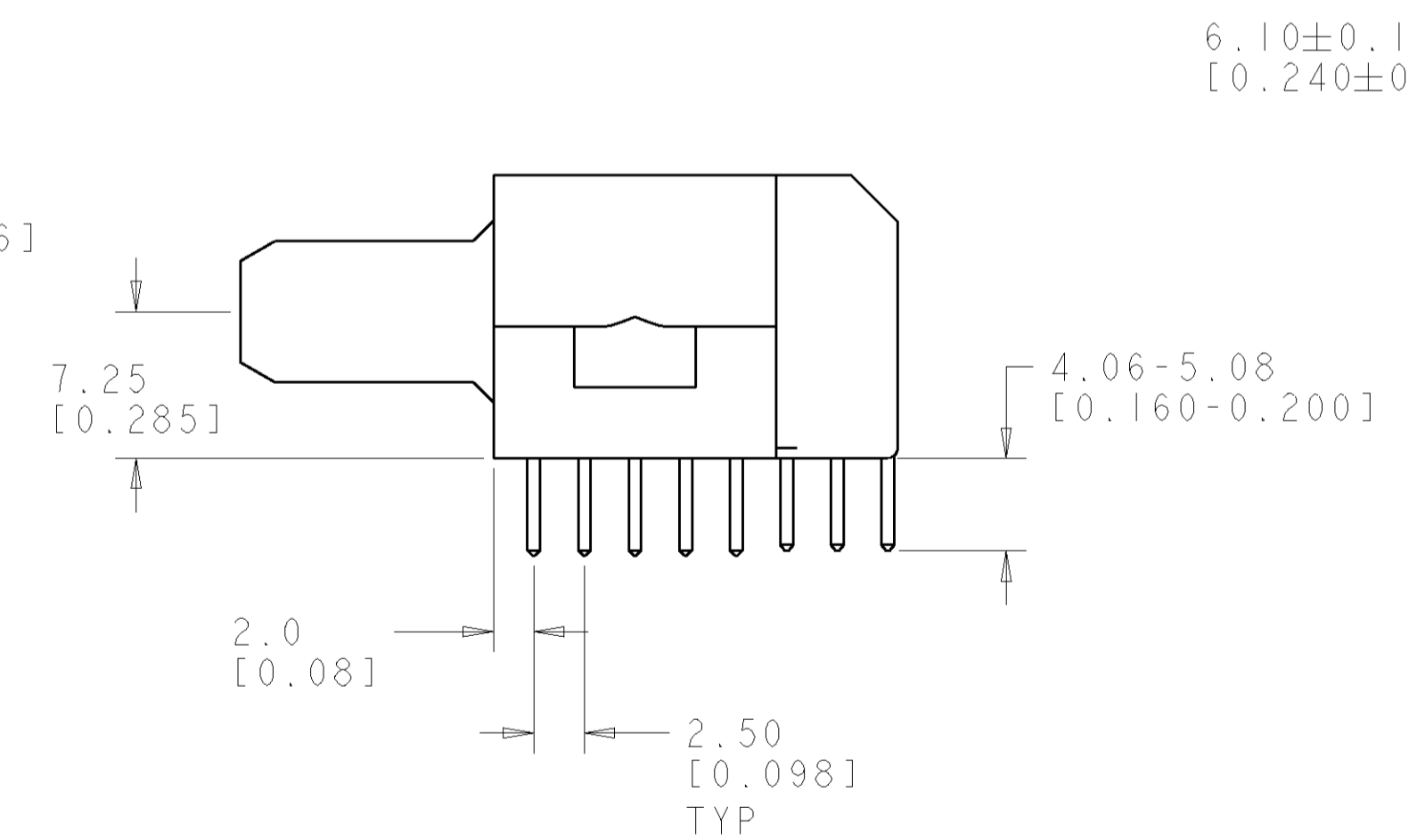
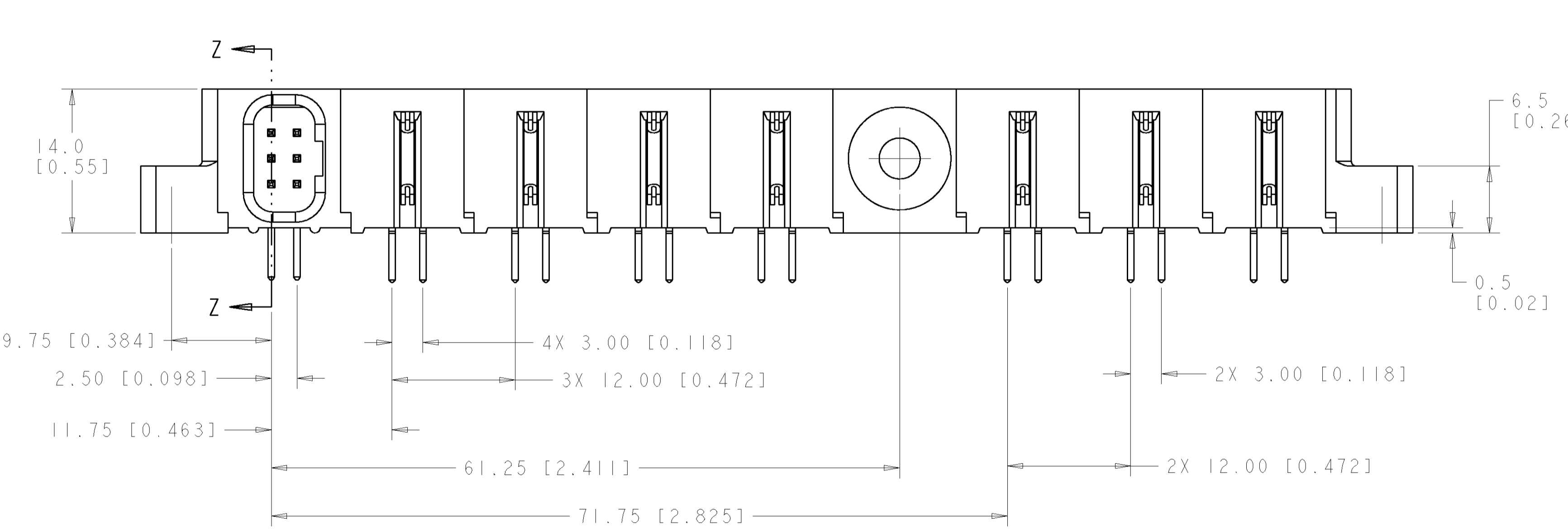
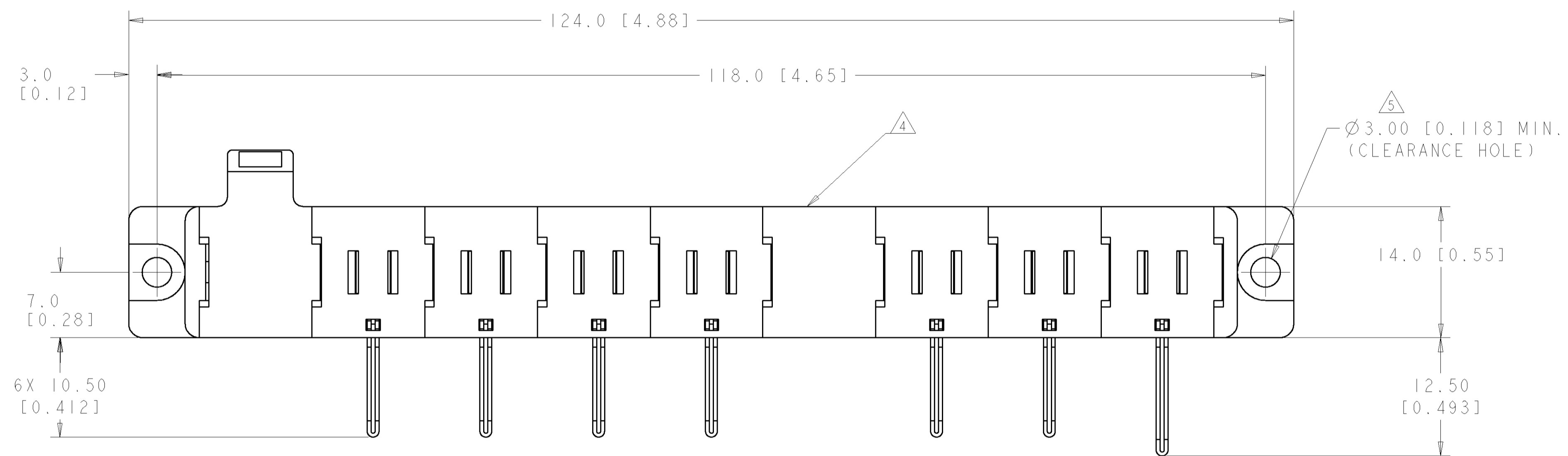
LOC	DIST	REV	DESCRIPTION	DATE	DWN	APVD
GP	00	A	RELEASED	20JULY06	RG	SF

- PART NUMBER CHANGES AND OR DESIGN CHANGES AFFECTING ITEM INTERCHANGEABILITY REQUIRE PRIOR TYCO APPROVAL AND AUTHORIZATION BY REVISION TO THIS DRAWING.
- MATERIAL:
 - INSULATORS - THERMOPLASTIC, GLASS REINFORCED, COLOR: BLACK, UL94V-0 FLAMMABILITY RATED.
 - POWER CONTACTS - PHOSPHOR BRONZE ALLOY, COPPER ALLOY
 - SIGNAL CONTACTS - BRASS ALLOY
 - CROWN BANDS: BERYLLIUM COPPER
- FINISH:
 - CONTACTS - GOLD PLATE .000030 INCH MIN. THK. OVER NICKEL .000050 INCH MIN. THK. SOLDER TAILS, TIN .000100 INCH MIN. THK OVER NICKEL .000050 MIN THK.

4 ITEMS PROVIDED TO THIS SPECIFICATION TO BE PERMANENTLY IDENTIFIED PER THE FOLLOWING IDENTIFIER LABEL

YEAR WEEK
 TYCO PART NO. DATE CODE (e.g. 0106)
 XXXXXXXX-X XXXX

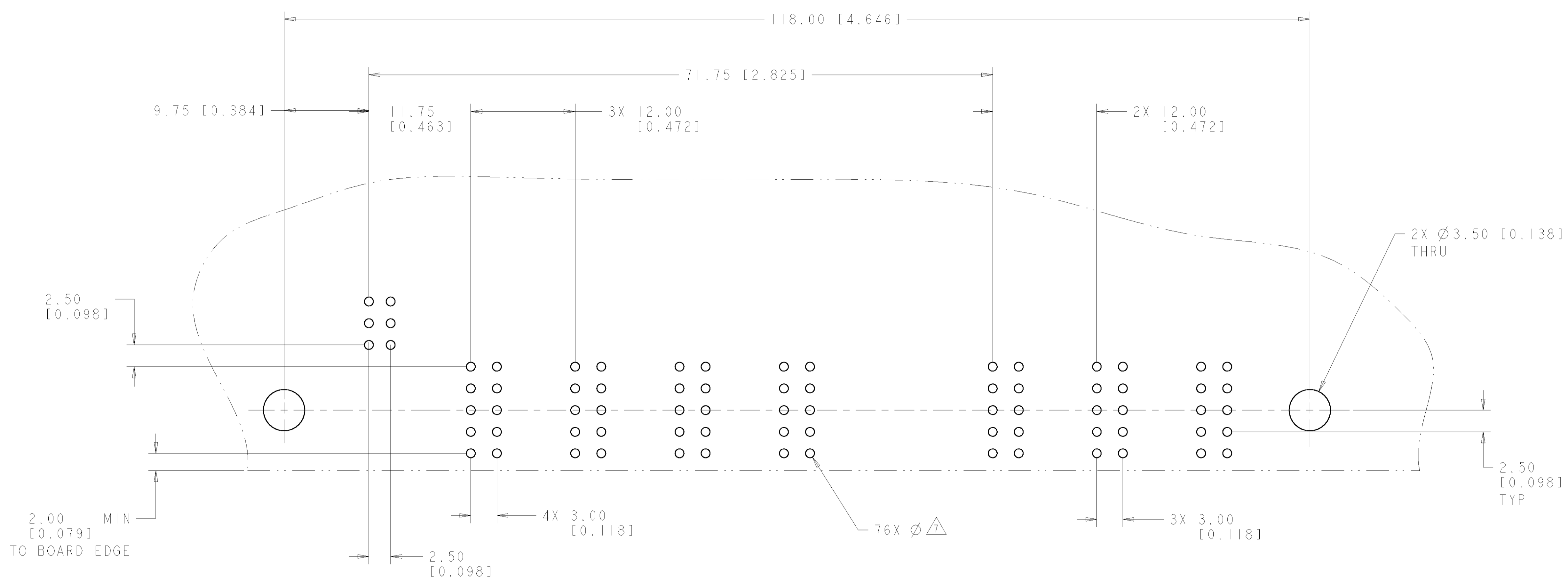
5 MOUNTING FLANGES ACCEPT M3 OR NO.4 SCREWS, (USER SUPPLIED)



ELCON FLATPAQ

AS SHOWN		6646722-1	
DESCRIPTION		PART NUMBER	
DIMENSIONS: mm [INCHES] TOLERANCES UNLESS OTHERWISE SPECIFIED: 0 PLC ±.5 [0.020] 1 PLC ±.5 [0.020] 2 PLC ±.25 [0.010] 3 PLC ±.25 [0.010] 4 PLC ±.25 [0.010] ANGLES ±.5		DWN R. GRZYBOWSKI 15NOV06 CHK P. DAMATO 15NOV06 APVD S. FLICKINGER 15NOV06 PRODUCT SPEC APPLICATION SPEC WEIGHT CUSTOMER DRAWING	
MATERIAL FINISH		Tyco Electronics Harrisburg, PA 17105-3608 NAME RIGHT ANGLE PIN CONNECTOR SOLDER TAILS AND LAYOUT SIZE CAGE CODE DRAWING NO. RESTRICTED TO A 100779 C=6646722 SCALE 3:1 SHEET 1 OF 3 REV A	

LOC	DIST	REVISIONS					
GP	00	P	LTR	DESCRIPTION	DATE	DWN	APVD
-	-	-	-	SEE SHEET 1	-	-	-



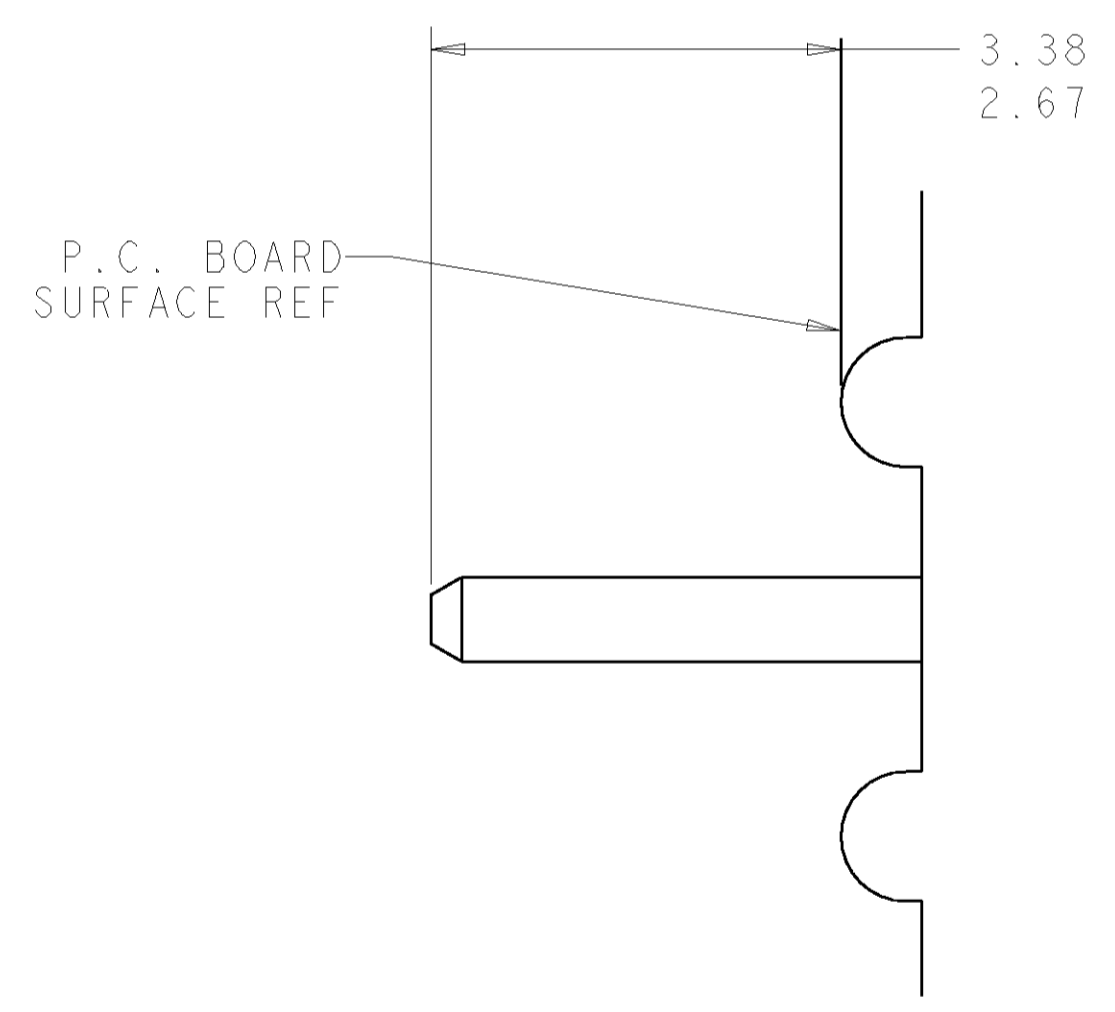
PRINTED CIRCUIT LAYOUT
 COMPONENT SIDE

CONNECTOR	CATALOG MODULE #	QTY	SIZE NO.	CONTACT QTY	MATING PIN	MAX. CURRENT (PER CONTACT)	CONTACT SPACING	VOLTAGE RATING
PIN	FPI21	6	8	6	1.25 X 7.00 [.049 X .276]	35 amps	12.00 [.472]	600
	FPI22	1	8	1	1.25 X 7.00 [.049 X .276]	35 amps	12.00 [.472]	600
	FP314	1	22	24	.64 SQ. [.025]	3 amps	2.50 [.0984]	125
	FP0506	1	RIGHT ANGLE GUIDE SOCKET					
	FP0500	1	LEFT MOUNTING FLANGE					
	FP0501	1	RIGHT MOUNTING FLANGE					

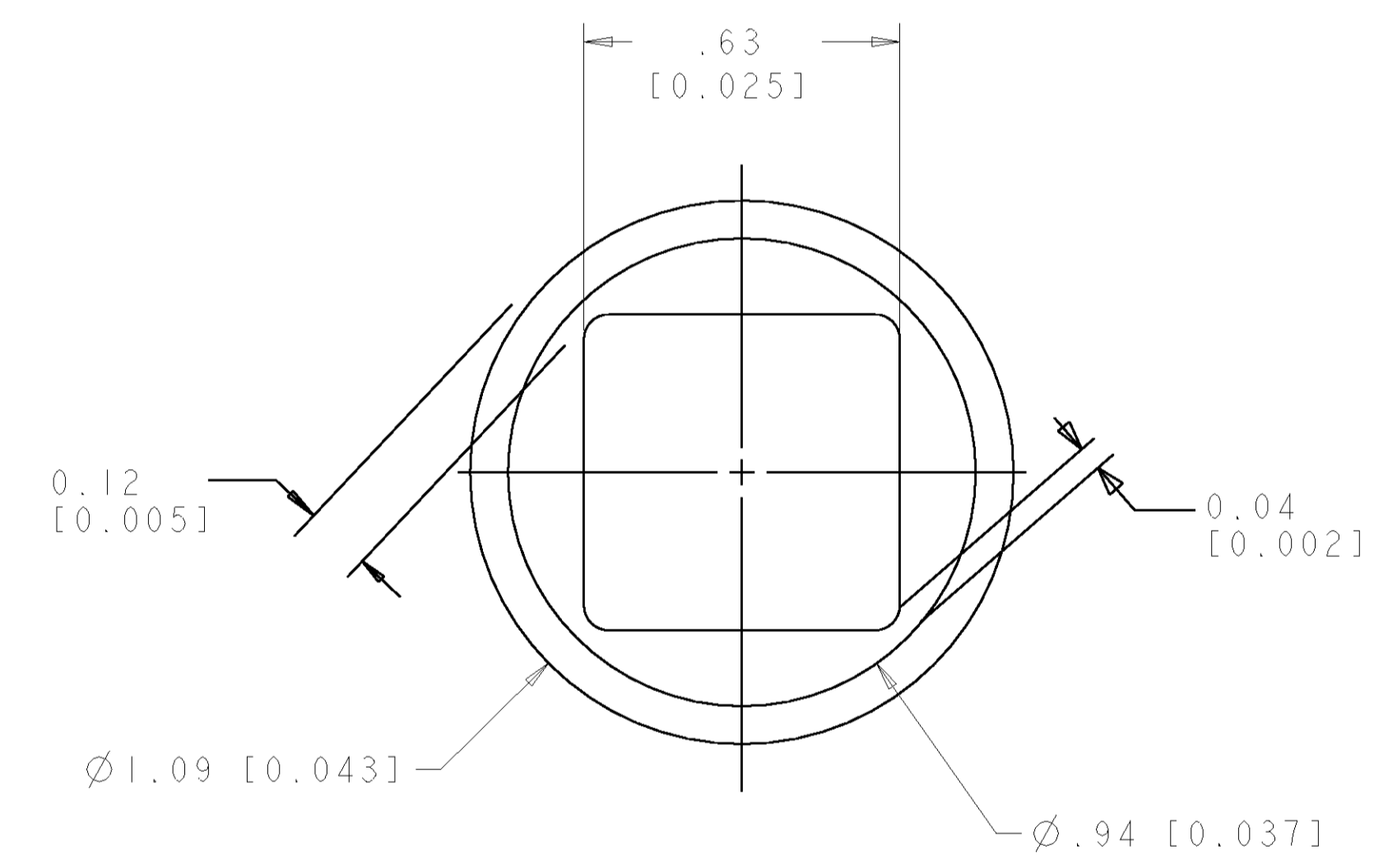
ELCON FLATPAQ

DIMENSIONS: mm [INCHES]		TOLERANCES UNLESS OTHERWISE SPECIFIED: 0 PLC ±.5 [.020] 1 PLC ±.5 [.020] 2 PLC ±.25 [.010] 3 PLC ±.25 [.010] 4 PLC ±.25 [.010] ANGLES ±.5		DWN B. GRZYBOWSKI 1SNOV06 CHK P. DAMATO 1SNOV06 APVD S. FLICKINGER 1SNOV06		tyco Electronics Tyco Electronics Harrisburg, PA 17105-3608	
MATERIAL - FINISH -		WEIGHT - CUSTOMER DRAWING		NAME RIGHT ANGLE PIN CONNECTOR SOLDER TAILS AND LAYOUT		SIZE CAGE CODE DRAWING NO. RESTRICTED TO A100779C=6646722 -	
SCALE 3:1 SHEET 2 OF 3 REV A				DATE 11/07/99			

LOC	DIST	REVISIONS					
		P.	LTR	DESCRIPTION	DATE	DWN	APVD
GP	00	-	-	SEE SHEET 1	-	-	-



6. SOLDER TAIL DETAIL
SCALE 10 : 1



⚠ SOLDER TERMINATION AREA
 SCALE 40:1
 RECOMMENDED PRINTED CIRCUIT HOLE
 SOLDER HOLE
 FINISHED HOLE: Ø1.02 [.040] ±.08 [.003]
 DRILLED HOLE: Ø1.15 [.0453] ±.013 [.0005]
 COPPER PLATE: .025 [.0010] MIN
 TIN PLATE: .008 [.0003] MIN. (PER SURFACE)

ELCON FLATPAQ

<small>THIS DRAWING IS UNPUBLISHED. RELEASED FOR PUBLICATION. ALL RIGHTS RESERVED. THIS DRAWING IS THE PROPERTY OF TYCO ELECTRONICS CORPORATION. IT IS TO BE USED ONLY FOR THE PURPOSES AND CONDITIONS SPECIFIED IN THE ORDER. CONTACT TYCO ELECTRONICS CORPORATION FOR ANY OTHER INFORMATION.</small>		DWN: B. GRZYBOWSKI CHK: P. DAMATO APVD: S. FLICKINGER	TSN0V06 TSN0V06 TSN0V06	tyco Electronics Tyco Electronics Harrisburg, PA 17105-3608
DIMENSIONS: mm [INCHES]	TOLERANCES UNLESS OTHERWISE SPECIFIED: 0 PLC ±. 1 PLC ±.5 [.020] 2 PLC ±.25 [.010] 3 PLC ±. 4 PLC ±. ANGLES ±.5	NAME: S. FLICKINGER PRODUCT SPEC: APPLICATION SPEC: WEIGHT:	NAME: RIGHT ANGLE PIN CONNECTOR SOLDER TAILS AND LAYOUT SIZE: A 00779 C=6646722 SCALE: 3:1 SHEET: 3 OF 3 REV: A	RESTRICTED TO:
MATERIAL: -	FINISH: -	WEIGHT: -	CUSTOMER DRAWING	