

10 9 8 7 6 5 4 3 2 1

F

E

D

C

B

A

F

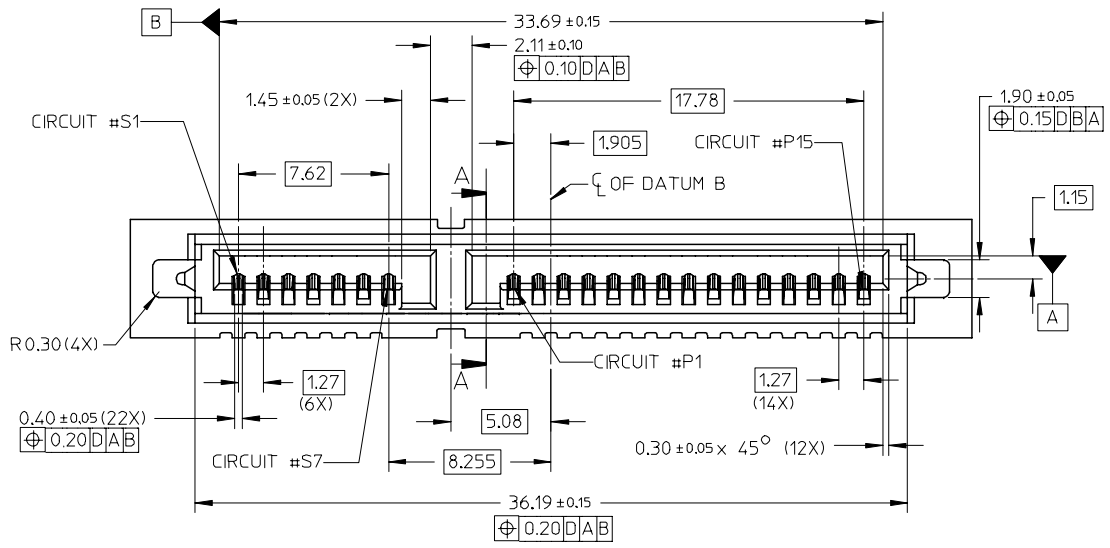
E

D

C

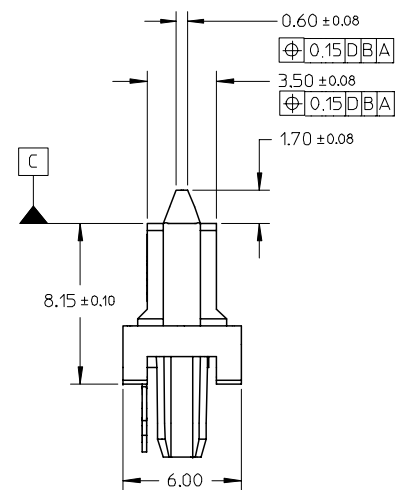
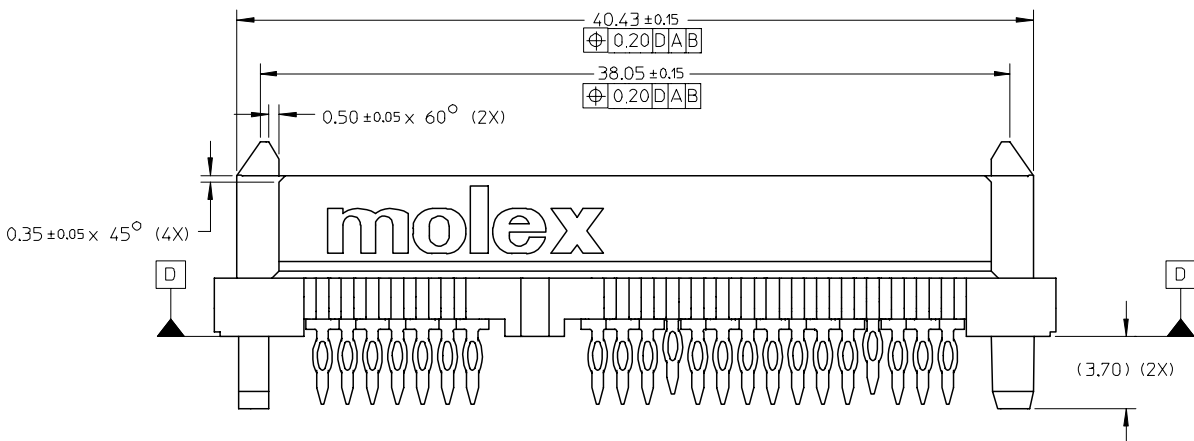
B

A



NOTES:

1. MATERIAL: LCP, GLASS FILLED, UL 94V-0, COLOR: BLACK  
TERMINAL: COPPER ALLOY
2. PLATING  
CONTACT: 0.76µm MIN, SELECTIVE GOLD OVER 1.27µm MIN, NICKEL  
UNDERPLATE SOLDERTAIL: 2.54µm MIN, TIN OVER 1.27µm MIN, NICKEL  
UNDERPLATE
3. MOLEX LOGO LOCATED APPROXIMATELY AS SHOWN
4. MAXIMUM WARPAGE OF 0.13 mm OVER THE LENGTH OF THE CONNECTOR  
IN ANY DIRECTION BEFORE AND AFTER EXPOSURE TO MAX. 260°C FOR  
10 SECONDS
5. PCB THICKNESS RANGE FROM 1.50 mm TO 2.00 mm
6. KEEP OUT ZONE ON BOTH SIDE OF PCB FOR CONNECTOR  
INSERTION AND EXTRACTION TOOL
7. PRODUCT SPECIFICATION: PS-87701-033 APPLIES
8. PACKAGING  
30 CONNECTORS PER TRAY



DIM UPDATE EC NO: S2008-0237 DRWN:KLLIM CHKD:CGOH APPR:KCLING	2007/09/20	DESCRIPTION
	2007/09/20	
	2007/09/20	
	2007/09/20	
C2	REV	

QUALITY SYMBOLS	▽=0
	∇=0

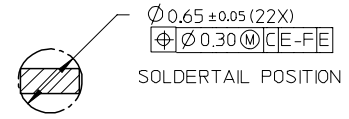
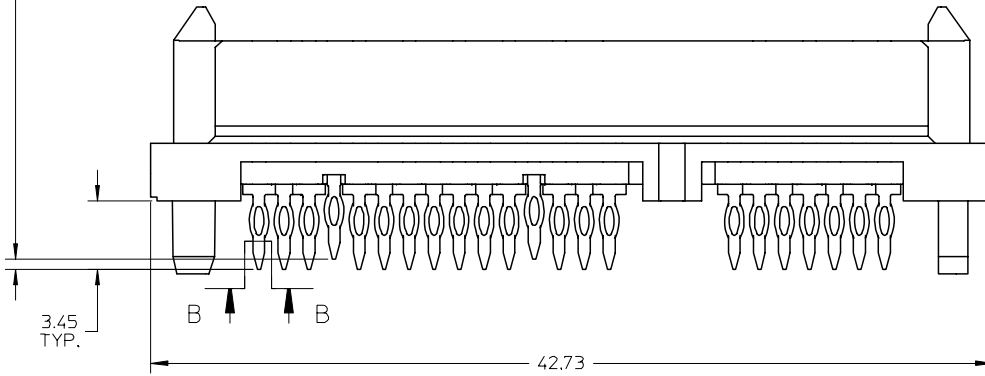
GENERAL TOLERANCES (UNLESS SPECIFIED)	mm	INCH
4 PLACES	± ---	± ---
3 PLACES	± ---	± ---
2 PLACES	± 0.20	± ---
1 PLACE	± ---	± ---
ANGULAR ± 3°		
DRAFT WHERE APPLICABLE MUST REMAIN WITHIN DIMENSIONS		

DIMENSION STYLE MM ONLY	
DRAWN BY DKOH	DATE 2002/07/01
CHECKED BY KCLING	DATE 2002/07/05
APPROVED BY SKTOH	DATE 2002/07/05
MATERIAL NO. 87701-1001	

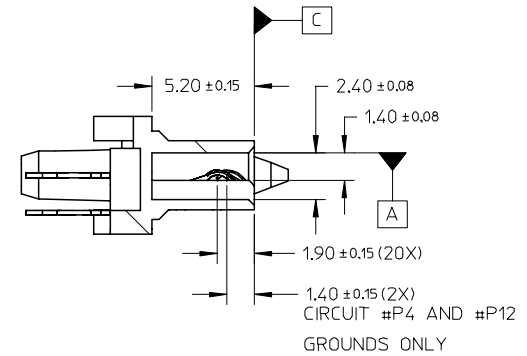
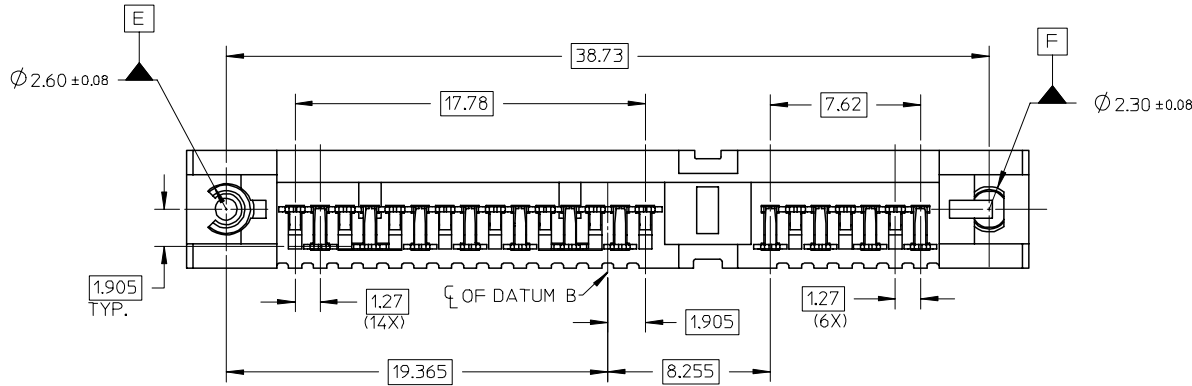
SCALE NTS	DESIGN UNITS METRIC	THIRD ANGLE PROJECTION
SERIAL ATA BACKPLANE PRESS-FIT STD HEIGHT RECEPTACLE		
MOLEX INCORPORATED		
DOCUMENT NO. SD-87701-013	SHEET NO. 1 OF 4	

9 8 7 6 5 4 3 2 1

CIRCUIT #P4 AND #P12 ONLY  
0.50



SECTION B-B



SECTION A-A

DIM UPDATE EC NO: S2008-0237 DRWN:KLLIM CHKD:CGOH APPR:KCLING	QUALITY SYMBOLS ▽=0 ▽=0	GENERAL TOLERANCES (UNLESS SPECIFIED)		DIMENSION STYLE MM ONLY		SCALE NTS	DESIGN UNITS METRIC	THIRD ANGLE PROJECTION			
		4 PLACES ± --- ± ---	3 PLACES ± --- ± ---	2 PLACES ± 0.20 ± ---	1 PLACE ± --- ± ---	ANGULAR ± 3 °	DRAWN BY DKOH	DATE 2002/07/01	TITLE SERIAL ATA BACKPLANE PRESS-FIT STD HEIGHT RECEPTACLE		
							APPROVED BY SKTOH	DATE 2002/07/05	MOLEX INCORPORATED		
		DRAFT WHERE APPLICABLE MUST REMAIN WITHIN DIMENSIONS					MATERIAL NO. 87701-1001	DOCUMENT NO. SD-87701-013	SHEET NO. 2 OF 4		

10 9 8 7 6 5 4 3 2 1

F F

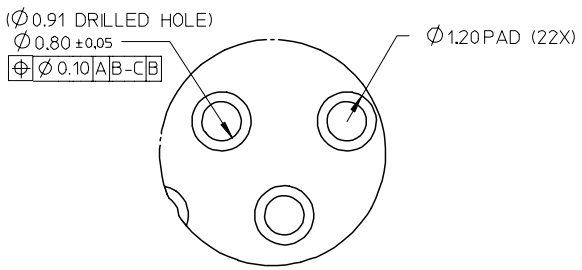
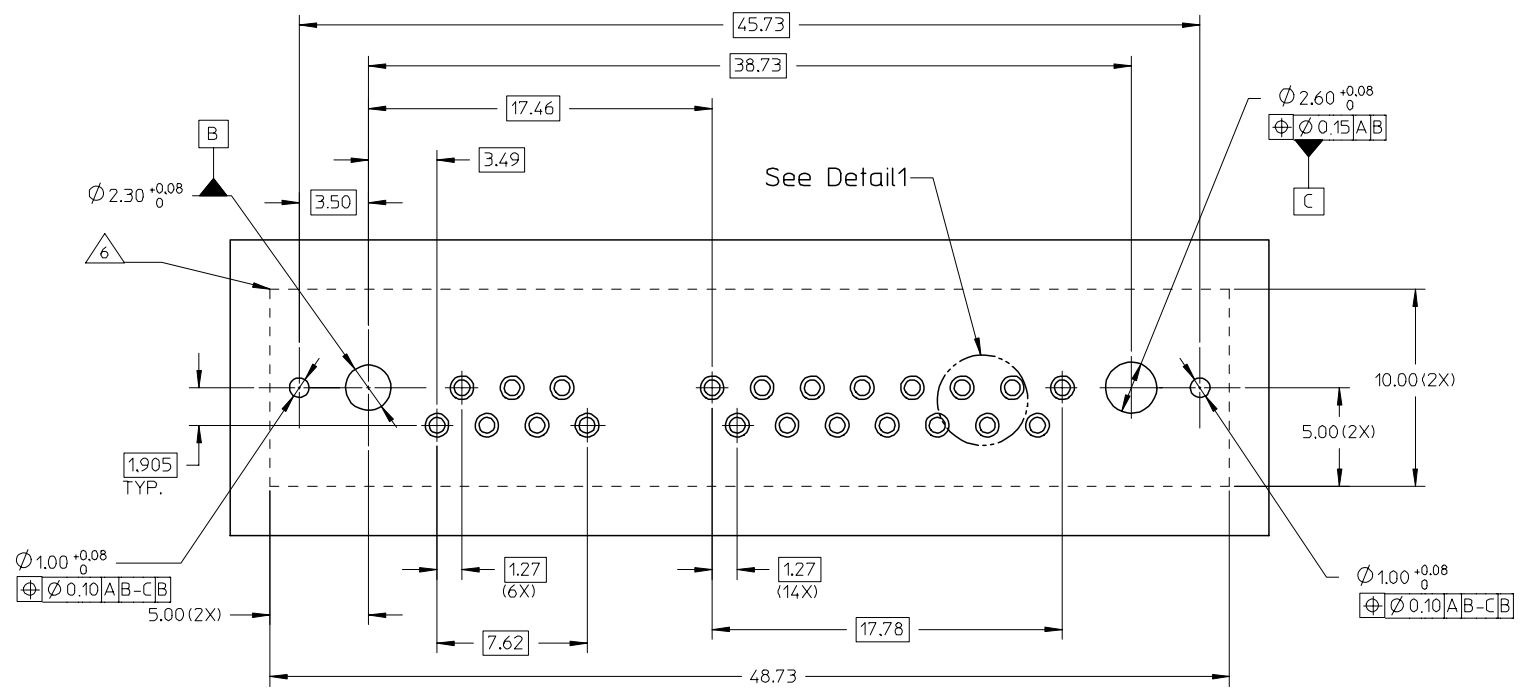
E E

D D

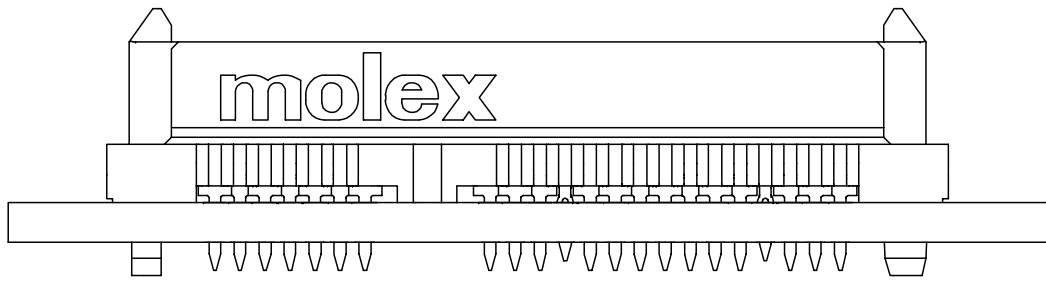
C C

B B

A A



Detail1  
SCALE 10:1



RECOMMENDED PCB LAYOUT

DIM UPDATE EC NO: S2008-0237 DRWN:KLLM CHKD:CGH APPR:KCLING 2007/09/20 2007/09/20 2007/09/20	QUALITY SYMBOLS ▽=0 ▽=0	GENERAL TOLERANCES (UNLESS SPECIFIED)		DIMENSION STYLE MM ONLY		SCALE NTS	DESIGN UNITS METRIC	THIRD ANGLE PROJECTION			
		4 PLACES ± --- ± ---	3 PLACES ± --- ± ---	2 PLACES ± 0.20 ± ---	1 PLACE ± --- ± ---	ANGULAR ± 3 °	DRAWN BY DKOH	DATE 2002/07/01	TITLE SERIAL ATA BACKPLANE PRESS-FIT STD HEIGHT RECEPTACLE		
							APPROVED BY SKTOH	DATE 2002/07/05	MOLEX INCORPORATED		
		DRAFT WHERE APPLICABLE MUST REMAIN WITHIN DIMENSIONS					MATERIAL NO. 87701-1001	DOCUMENT NO. SD-87701-013	SHEET NO. 3 OF 4		

9 8 7 6 5 4 3 2 1

10 9 8 7 6 5 4 3 2 1

F

F

E

E

D

D

C

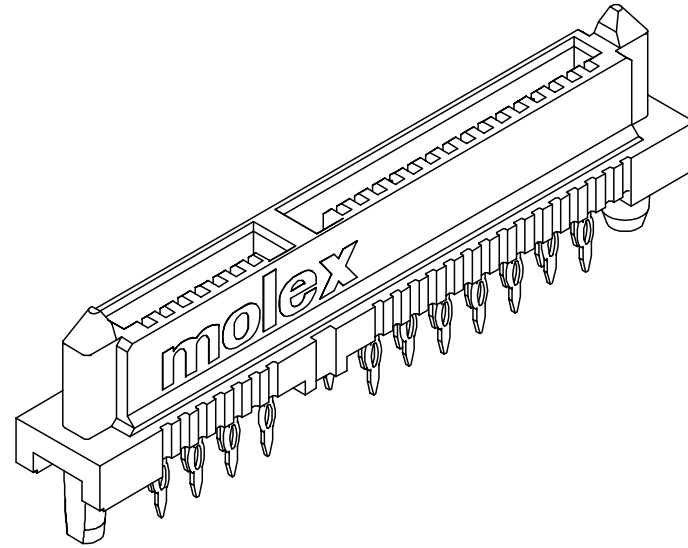
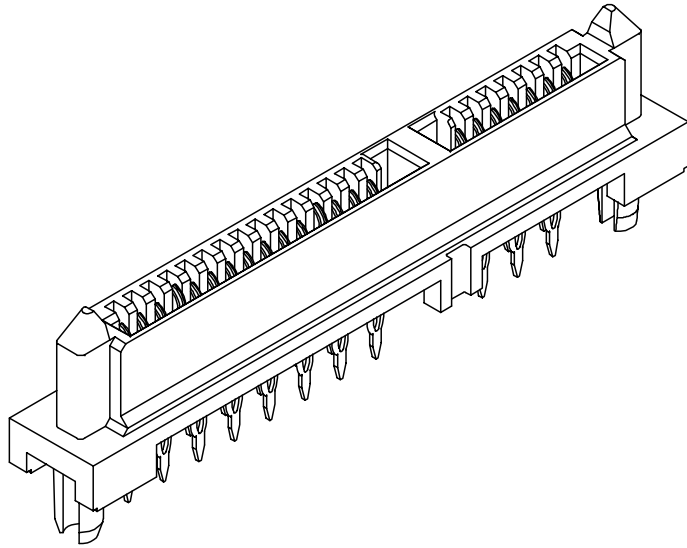
C

B

B

A

A



DIM UPDATE EC NO: S2008-0237 DRWN:KLLIM CHKD:CGOH APPR:KCLING	2007/09/20 2007/09/20 2007/09/20	DESCRIPTION REV	QUALITY SYMBOLS ▽=0 ◻=0	GENERAL TOLERANCES (UNLESS SPECIFIED)		DIMENSION STYLE MM ONLY		SCALE NTS	DESIGN UNITS METRIC	THIRD ANGLE PROJECTION	
				4 PLACES ± --- ± --- 3 PLACES ± --- ± --- 2 PLACES ± 0.20 ± --- 1 PLACE ± --- ± --- ANGULAR ± 3 °	mm INCH	DRAWN BY DKOH	DATE 2002/07/01	TITLE SERIAL ATA BACKPLANE PRESS-FIT STD HEIGHT RECEPTACLE			
C2		DRAFT WHERE APPLICABLE MUST REMAIN WITHIN DIMENSIONS		APPROVED BY SKTOH	DATE 2002/07/05	MOLEX INCORPORATED		DOCUMENT NO. SD-87701-013	SHEET NO. 4 OF 4		
				SIZE A3		THIS DRAWING CONTAINS INFORMATION THAT IS PROPRIETARY TO MOLEX INCORPORATED AND SHOULD NOT BE USED WITHOUT WRITTEN PERMISSION					

9 8 7 6 5 4 3 2 1