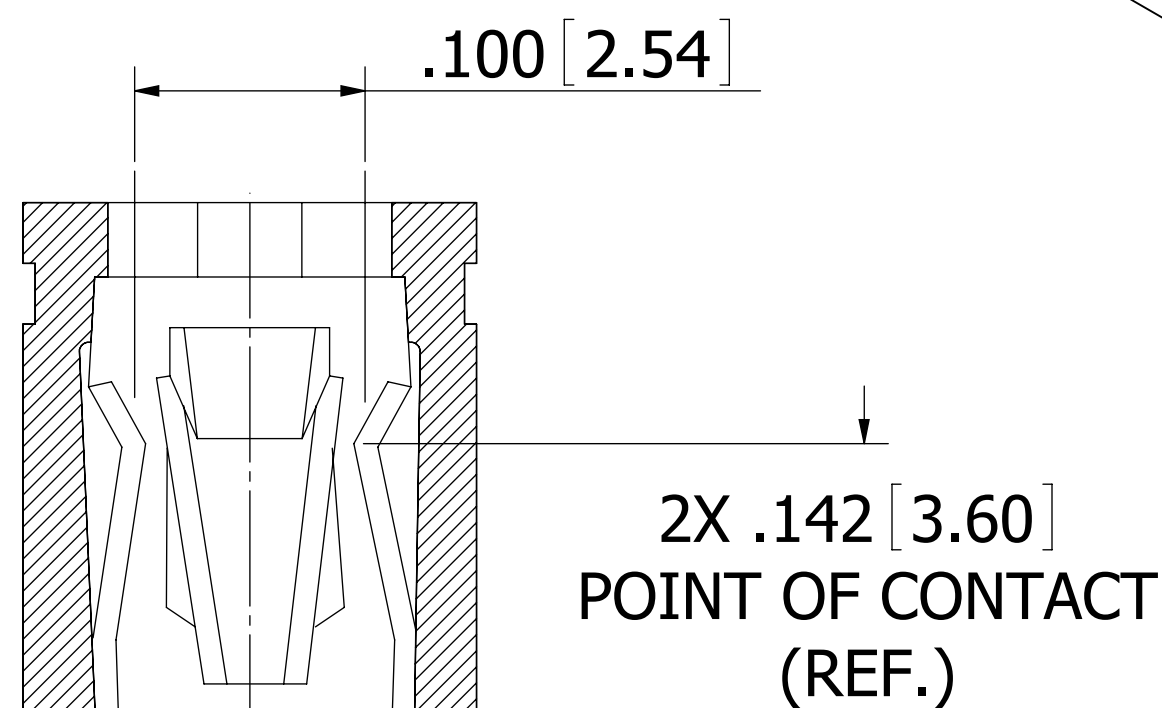
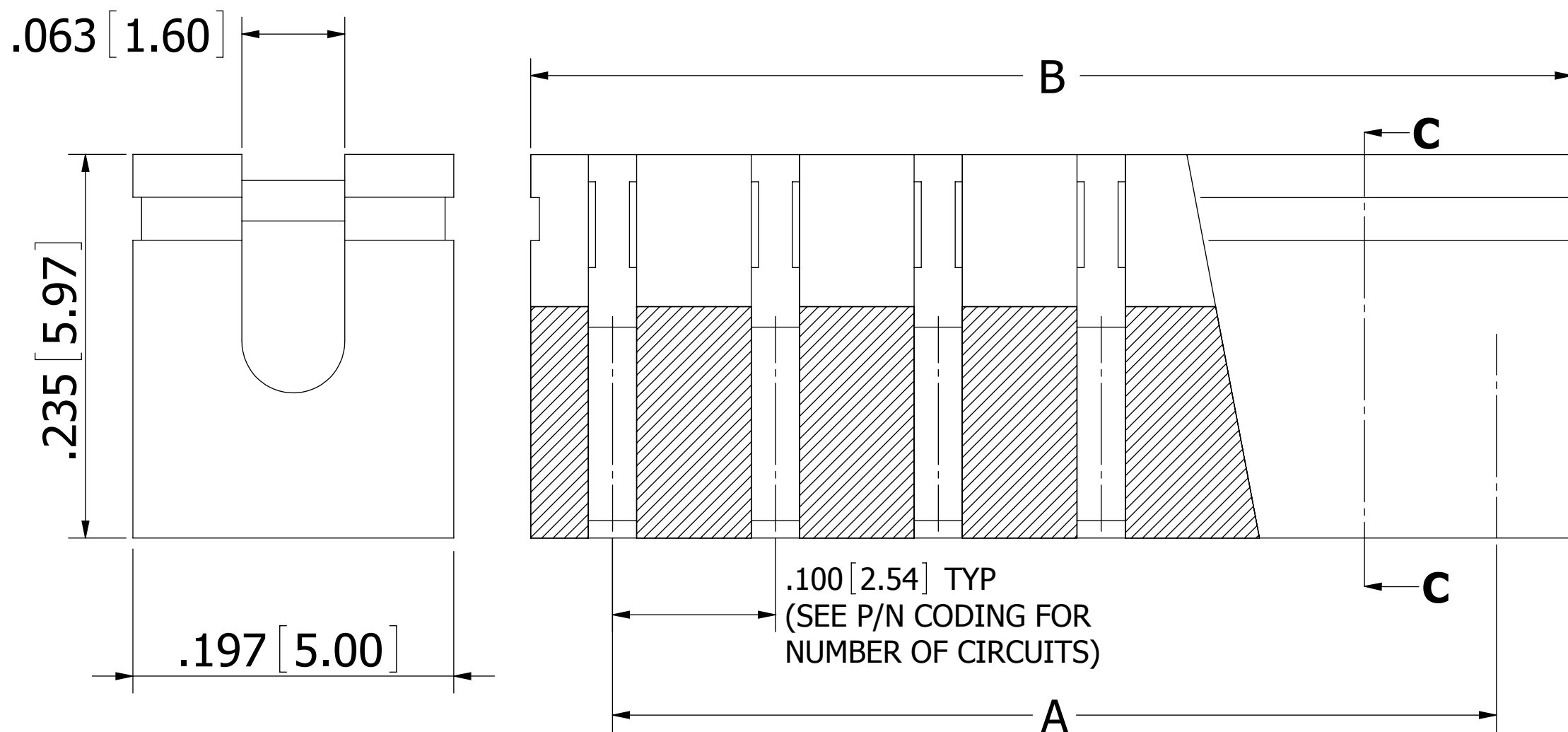
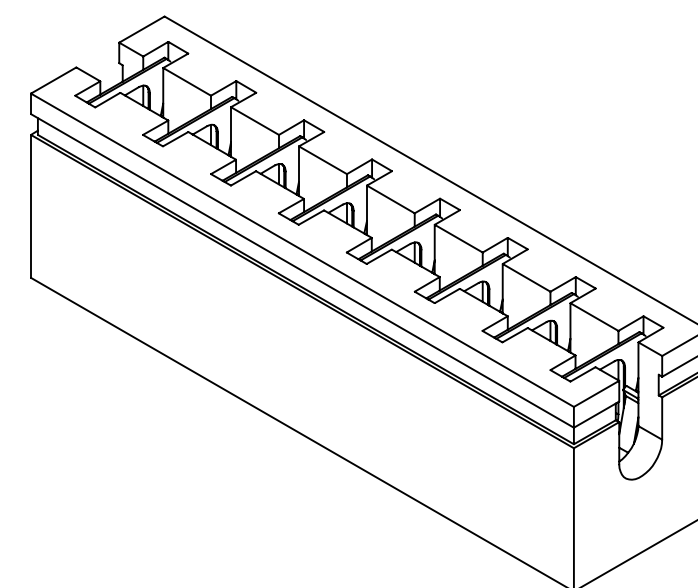
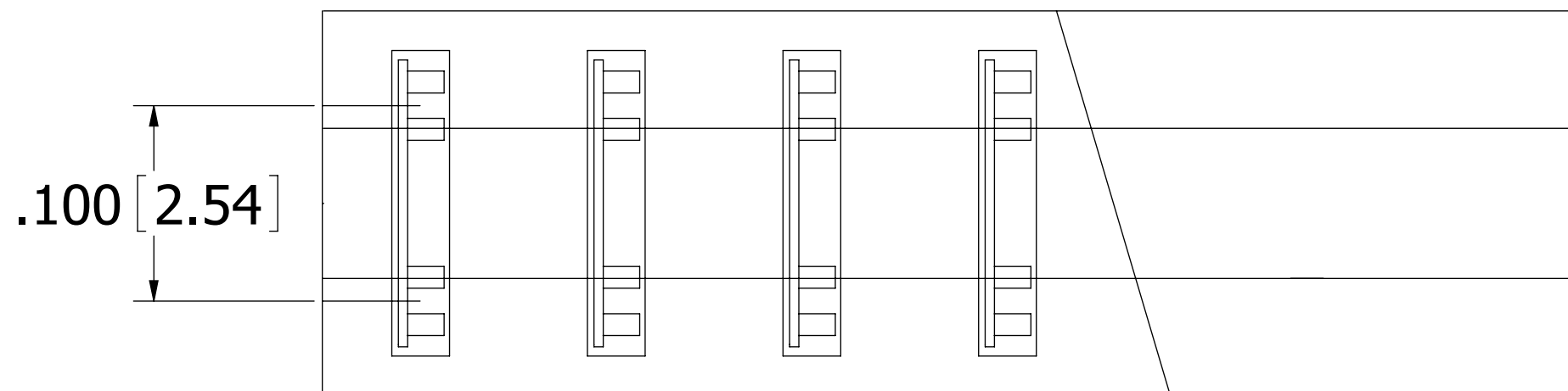


PART NUMBER CODING
QPC02_XGN-RC

NUMBER OF CIRCUITS

D = 2 CIRCUITS P = 7 CIRCUITS
 T = 3 CIRCUITS C = 8 CIRCUITS
 Q = 4 CIRCUITS N = 9 CIRCUITS
 U = 5 CIRCUITS A = 10 CIRCUITS
 E = 6 CIRCUITS R = 13 CIRCUITS

REVISIONS				
REV.	ECO. NO	DESCRIPTION	DATE	BY
A	2146	INITIAL RELEASE	07/16/2010	LH



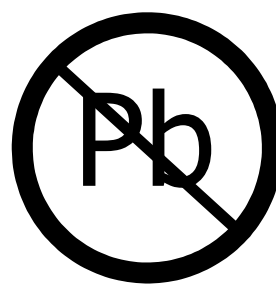
.100 [2.54] TYP
 (SEE P/N CODING FOR
 NUMBER OF CIRCUITS)

SECTION C - C

PART NUMBER	CIRCUITS	A		B	
		INCH	MM	INCH	MM
QPC02DXGN-RC	2	0.100	2.54	0.200	5.08
QPC02TXGN-RC	3	0.200	5.08	0.300	7.62
QPC02QXGN-RC	4	0.300	7.62	0.400	10.16
QPC02UXGN-RC	5	0.400	10.16	0.500	12.70
QPC02EXGN-RC	6	0.500	12.70	0.600	15.24
QPC02PXGN-RC	7	0.600	15.24	0.700	17.78
QPC02CXGN-RC	8	0.700	17.78	0.800	20.32
QPC02NXGN-RC	9	0.800	20.32	0.900	22.86
QPC02AXGN-RC	10	0.900	22.86	1.000	25.40
QPC02RXGN-RC	13	1.200	30.48	1.300	33.02

NOTES:

1. INSULATOR MATERIAL: PBT, BLACK.
2. CONTACT MATERIAL: BRASS.
3. PLATING: GOLD FLASH OVERALL.
4. UL FLAMMABILITY RATING: 94V-0.
5. DIELECTRIC WITHSTANDING VOLTAGE: 650V AC.
6. CURRENT RATING: 3 AMPS PER CONTACT.
7. CONTACT RESISTANCE: 30 MILLI OHMS MAX.
8. INSULATION RESISTANCE: 1000 MEGA OHMS.
9. OPERATING TEMPERATURE: -40° TO +85°C
10. DOUBLE TUNING FORK TYPE CONTACT, ACCOMMODATES .025" [0.64mm] SQ PINS, .100" [2.54mm] PITCH LOW PROFILE MINI TYPE.



RoHS COMPLIANT

UNLESS OTHERWISE SPECIFIED:
 DIMENSIONS ARE IN INCHES[MM]
 TOLERANCES:
 ANGULAR: ± 30°
 .XX=± .012 [.30]
 .XXX=± .008 [.20]
 .XXXX=± .004 [.10]
 INTERPRET DIMENSIONS AND GEOMETRIC TOLERANCING PER: ASME Y14.5M-2009

DRAWN	DATE	NAME
	7/16/2010	LH
THE INFORMATION HEREIN CONTAINS PROPRIETARY INFORMATION OF SULLINS ELECTRONICS AND IS NOT TO BE REPRODUCED, USED OR DISCLOSED TO OTHERS FOR ANY PURPOSE EXCEPT AS SPECIFICALLY AUTHORIZED IN WRITING BY AN OFFICER OF SULLINS ELECTRONICS.		

SULLINS
 CONNECTOR SOLUTIONS

DESCRIPTION:
 MINI SHUNT, .100" CC, OPEN TOP

PART NUMBER:
QPC02_XGN-RC

SIZE DWG. NO. REV
C 11509 **A**

SCALE: 16:1 SHEET 1 OF 1